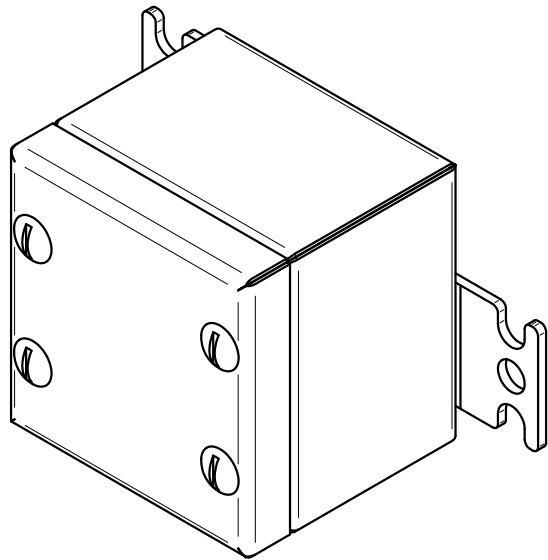
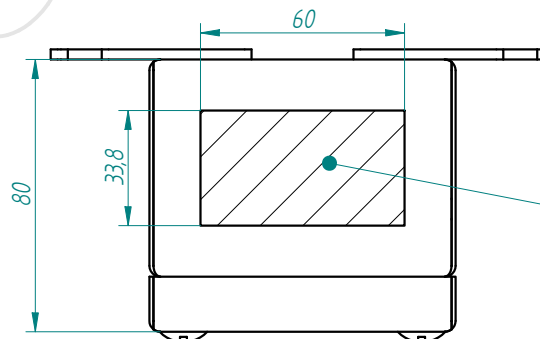
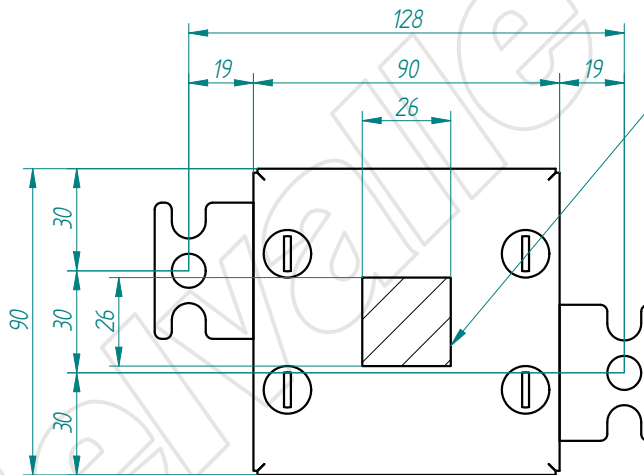
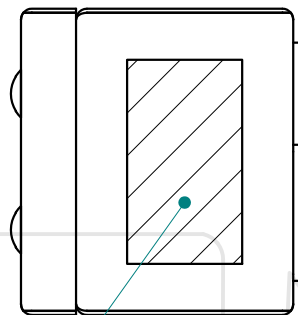


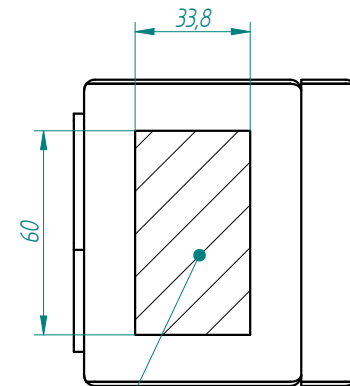
This present document and its contents are confidential, and are the exclusive intellectual and / or industrial property of DEVALLE. In addition to any technology, design, invention, work, process, know-how, calculation, manual, method, solution, idea, improvement, drawing, diagram, modification, contribution and, in short, any associated information or documentation involving industrial or intellectual property developed or supplied by DEVALLE on the occasion of the quote, order execution or incorporated into the design or operation of the supply. The recipient may not use such property in his favour or in that of a third party for purposes other than the fulfilment of the order and the operation and maintenance of the supply, without the prior written consent of DEVALLE. It is strictly forbidden to totally or partially reproduce this document and to misuse it and / or to show it to third parties. The infringing parties shall be required to pay the corresponding compensation for damages, and any other legal or criminal responsibility is the infringer's sole responsibility.



Mechanical area/  
Zone d'usinage/  
Zona de mecanizado



Mechanical area/  
Zone d'usinage/  
Zona de mecanizado



Mechanical area/  
Zone d'usinage/  
Zona de mecanizado

Referencia:  
MVEB000000/67

DIBUJADO:	16/04/2015	FIRMA:	D.Martinez
APROBADO:	16/04/2015	FIRMA:	D.Martinez



TOLERANCIA GENERAL  
DE MECANIZACION  
segun DIN 7168

Creación del documento	16/04/2015	D.MTNEZ	A
MODIFICACIONES	FECHA:	FIRMA:	REVISIÓN:

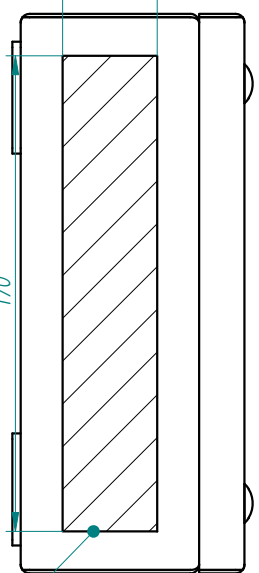
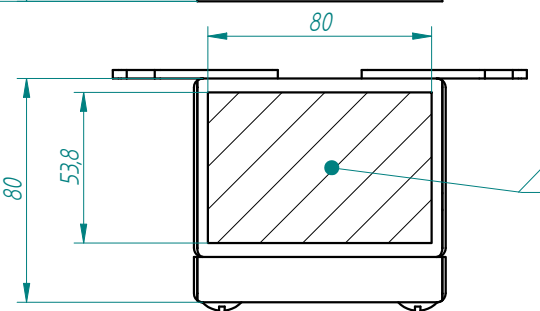
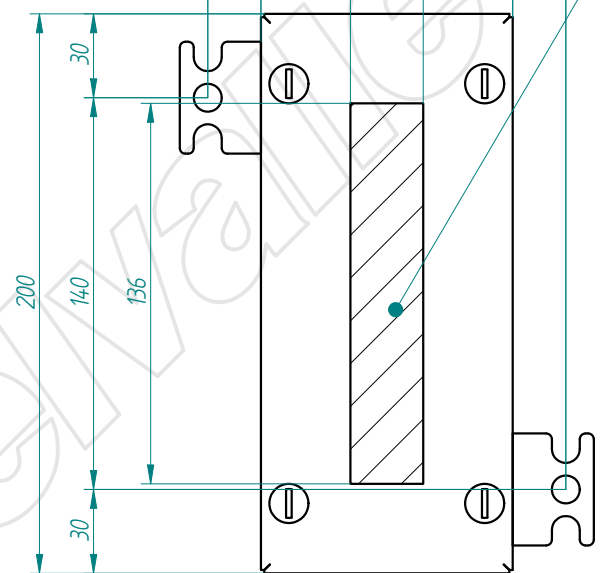
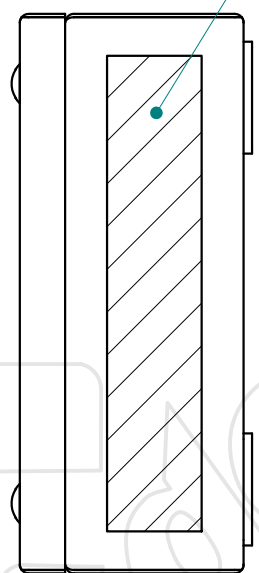
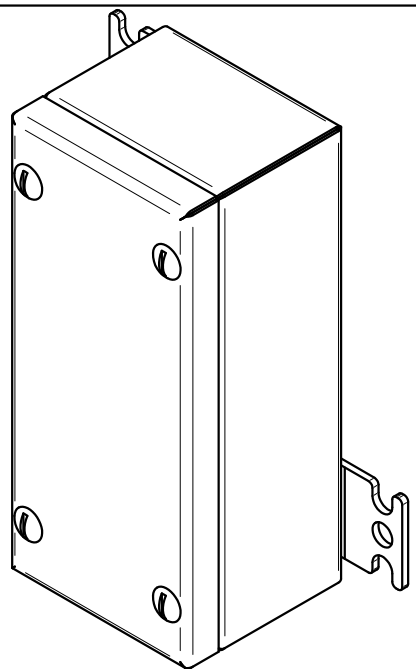
-  
plegado:  
acabado:

DESIGNACIÓN:  
**Georex 90x90x80 estandar**

Nº PLANO:  
CB/67-00 a



This present document and its contents are confidential, and are the exclusive intellectual and / or industrial property of DELVALLE. In addition to any technology, design, invention, work, process, know-how, calculation, manual, method, solution, idea, improvement, drawing, diagram, modification, contribution and, in short, any associated information or documentation involving industrial or intellectual property developed or supplied by DELVALLE on the occasion of the quote, order execution or incorporated into the design or operation of the supply. The recipient may not use such property in his favour or in that of a third party for purposes other than the fulfilment of the order and the operation and maintenance of the supply, without the prior written consent of DELVALLE. It is strictly forbidden to totally or partially reproduce this document and to misuse it and / or to show it to third parties. The infringing parties shall be required to pay the corresponding compensation for damages, and any other legal or criminal responsibilities. The infringement may give rise to.




Mechanical area/  
Zone d'usinage/  
Zona de mecanizado

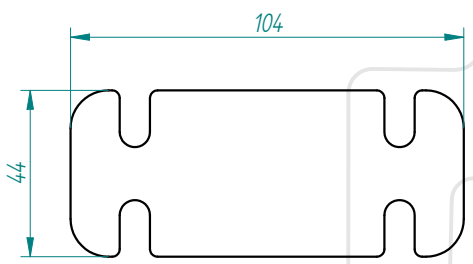
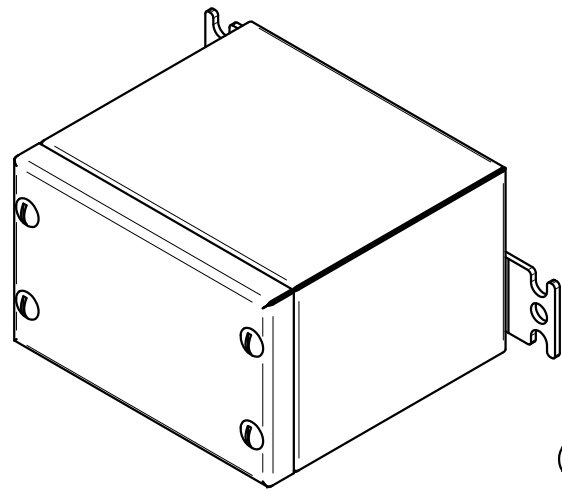
Mechanical area/  
Zone d'usinage/  
Zona de mecanizado

Mechanical area/  
Zone d'usinage/  
Zona de mecanizado

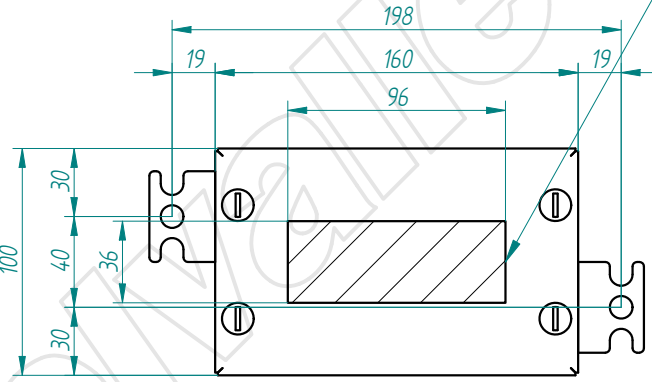
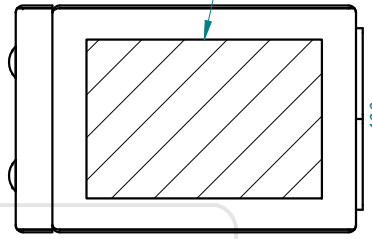


TOLERANCIA GENERAL DE MECANIZACION segun DIN 7168					Referencia: MVEB000000/67	DIBUJADO: 16/04/2015	FECHA: 16/04/2015	FIRMA: D.Martinez	 N° PLANO: CB/67-00 a
	Creación del documento	16/04/2015	D.MTNEZ	A	- plegado: acabado:	APROBADO: 16/04/2015	16/04/2015	D.Martinez	
	MODIFICACIONES	FECHA:	FIRMA:	REVISIÓN:		DESIGNACIÓN: <b>Geox 200x90x80 estandar</b>			

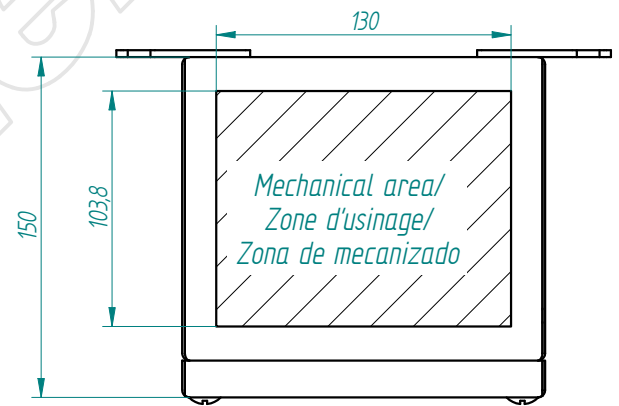
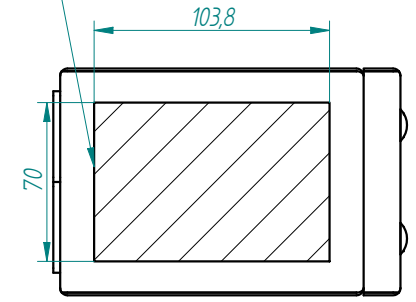
This present document and its contents are confidential, and are the exclusive intellectual and / or industrial property of DELVALLE. In addition to any technology, design, invention, work, process, know-how, calculation, manual, solution, idea, improvement, drawing, diagram, modification, contribution and, in short, any associated information or documentation involving industrial or intellectual property developed or supplied by DELVALLE on the occasion of the quote, order execution or incorporated into the design or operation of the supply. The recipient may not use such property in his favour or in that of a third party for purposes other than the fulfilment of the order and the operation and maintenance of the supply, without the prior written consent of DELVALLE. It is strictly forbidden to totally or partially reproduce this document and to misuse it or to show it to third parties. The infringing parties shall be required to pay the corresponding compensation for damages, and any other legal or criminal responsibilities. The infringement may give rise to.



Mechanical area/  
Zone d'usage/  
Zona de mecanizado




Mechanical area/  
Zone d'usage/  
Zona de mecanizado

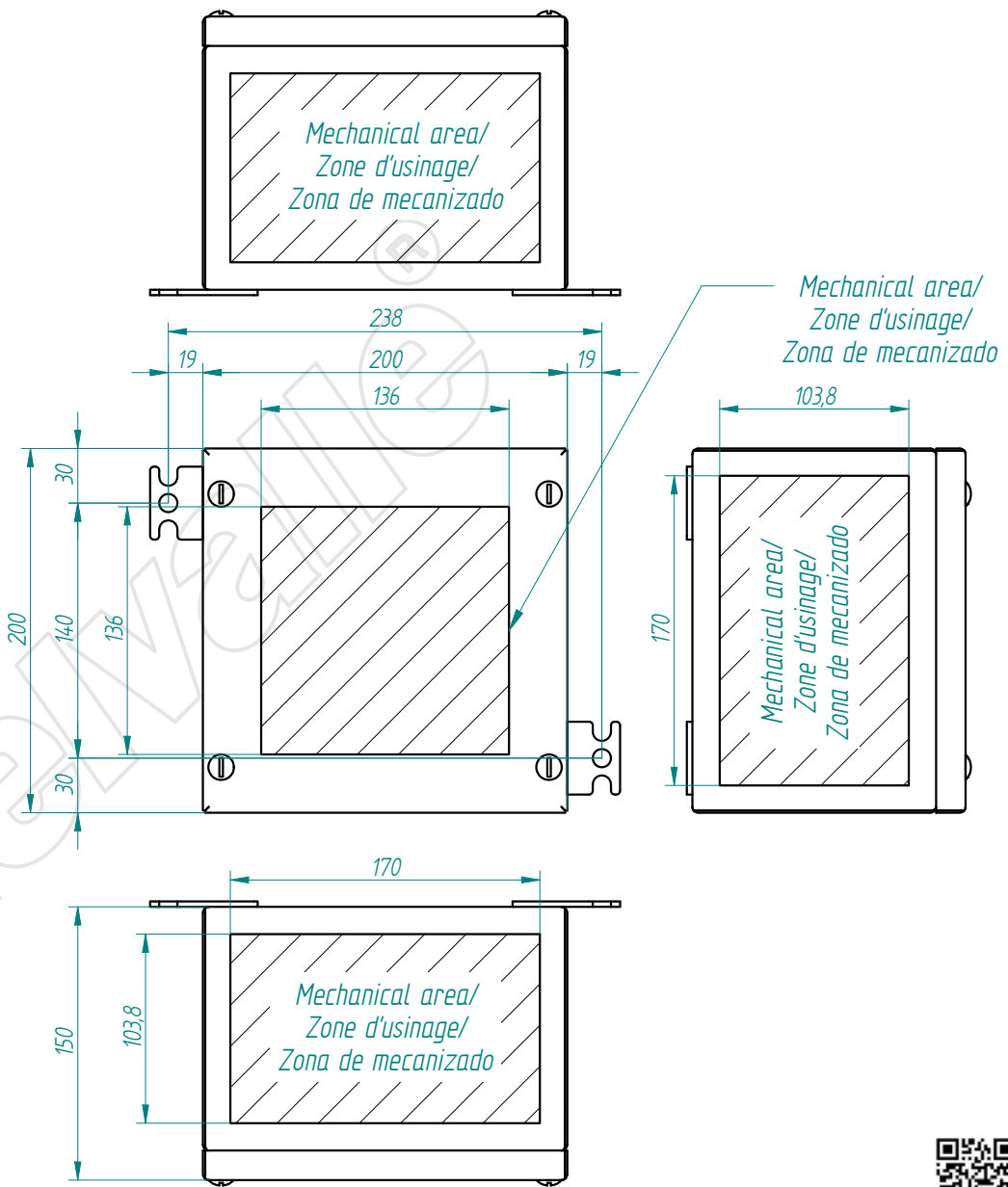
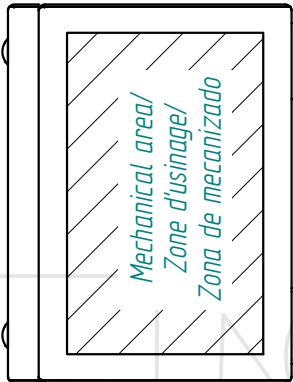
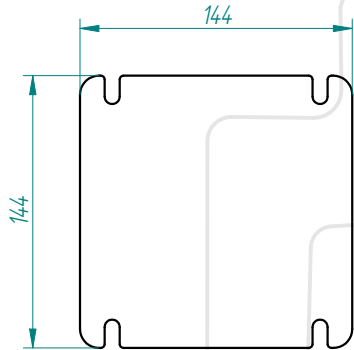
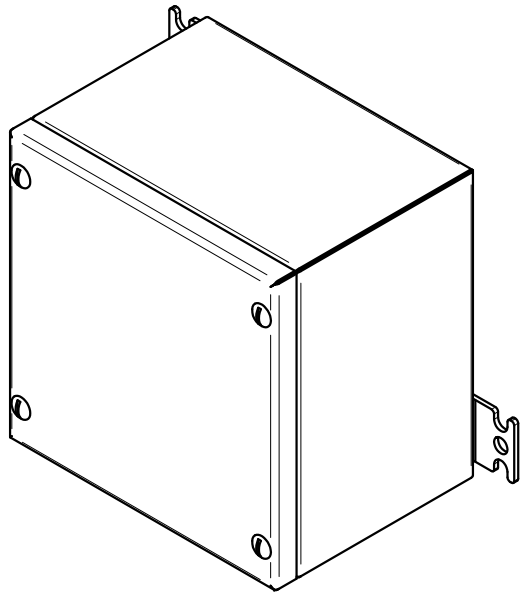


Mechanical area/  
Zone d'usage/  
Zona de mecanizado



TOLERANCIA GENERAL DE MECANIZACION según DIN 7168	Creación del documento	20/04/2015	D.MTNEZ	A	Referencia: MVEB000000/67	DIBUJADO: 20/04/2015	FECHA: 20/04/2015	FIRMA: D.Martínez	 Nº PLANO: CB/67-00 a
	MODIFICACIONES	FECHA:	FIRMA:	REVISIÓN:	- plegado: acabado:	DESIGNACIÓN: <b>Geox 100x160x150 estandar</b>	APROBADO: 20/04/2015	FIRMA: D.Martínez	

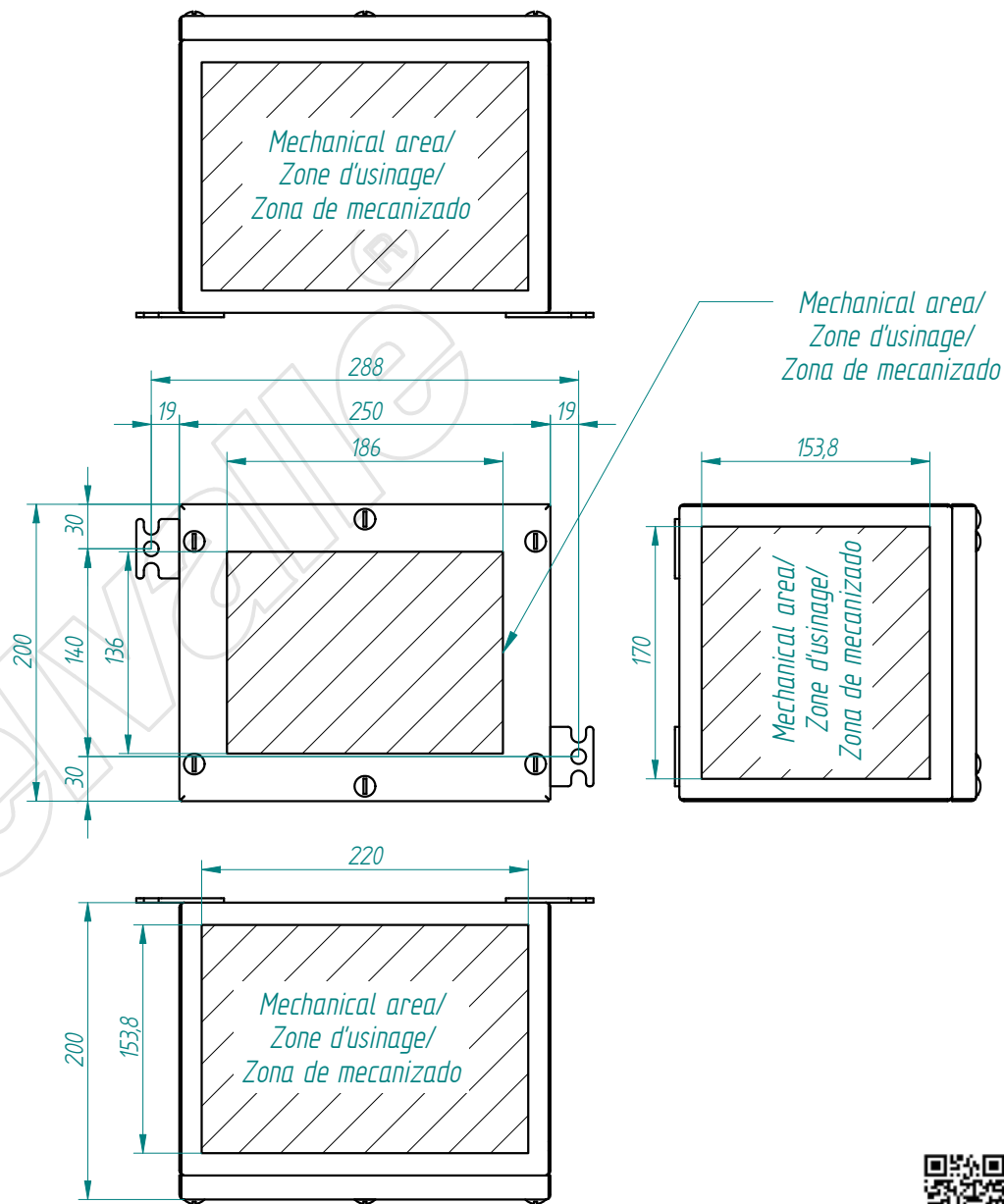
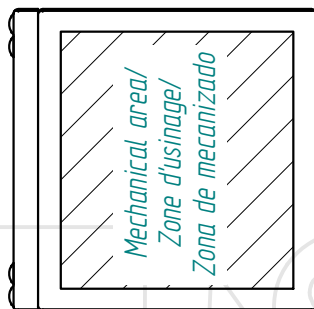
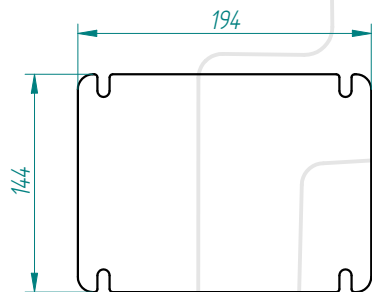
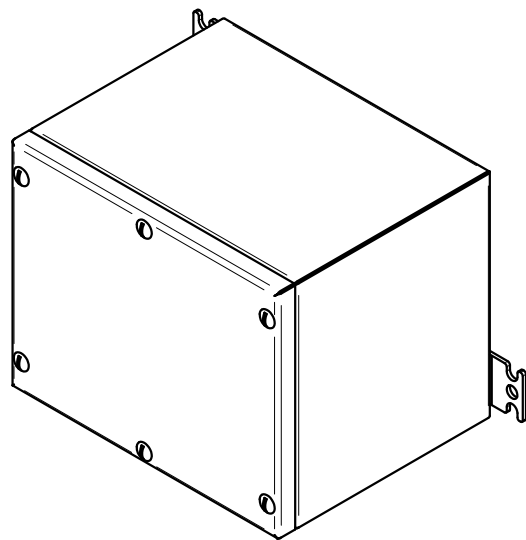
This present document and its contents are confidential, and are the exclusive intellectual and / or industrial property of DELVALLE. In addition to any technology, design, invention, work, process, know-how, calculation, manual, solution, idea, improvement, drawing, diagram, modification and, in short, any associated information or documentation involving industrial or intellectual property developed or supplied by DELVALLE on the occasion of the quote, order execution or incorporated into the design or operation of the supply. The recipient may not use such property in his favour or in that of a third party for purposes other than the fulfilment of the order and the operation and maintenance of the supply, without the prior written consent of DELVALLE. It is strictly forbidden to totally or partially reproduce this document and to misuse it and / or to show it to third parties. The infringing parties shall be required to pay the corresponding compensation for damages, and any other legal or criminal responsibility is the infringer's sole responsibility.



TOLERANCIA GENERAL DE MECANIZACION según DIN 7168	Creación del documento	16/04/2015	D.MTNEZ	A	Referencia: MVEB000000/67 - plegado: - acabado:	DIBUJADO:	16/04/2015	FIRMA: D.Martínez
	MODIFICACIONES	FECHA:	FIRMA:	REVISIÓN:		APROBADO:	16/04/2015	D.Martínez
DESIGNACIÓN: Geox 200x250x200 estandar						Nº PLANO: CB/67-00 a		



This present document and its contents are confidential, and are the exclusive intellectual and / or industrial property of DELVALLE . in addition to any technology, design, invention, work, process, know-how, calculation, manual, method, solution, idea, improvement, drawing, diagram, modification, contribution and, in short, any associated information or documentation involving industrial or intellectual property developed or supplied by DELVALLE on the occasion of the quote, order execution or incorporated into the design or operation of the supply. The recipient may not use such property in his favour or in that of a third party for purposes other than the fulfilment of the order and the operation and maintenance of the supply, without the prior written consent of DELVALLE. It is strictly forbidden to totally or partially reproduce this document and to misuse it and / or to show it to third parties. The infringing parties shall be required to pay the corresponding compensation for damages, and any other legal or criminal responsibility is the infringement may give rise to.



TOLERANCIA GENERAL DE MECANIZACION según DIN 7168

Creación del documento	16/04/2015	D.MTNEZ	A
MODIFICACIONES	FECHA:	FIRMA:	REVISIÓN:

Referencia:  
MVEB000000/67  
-  
plegado:  
acabado:

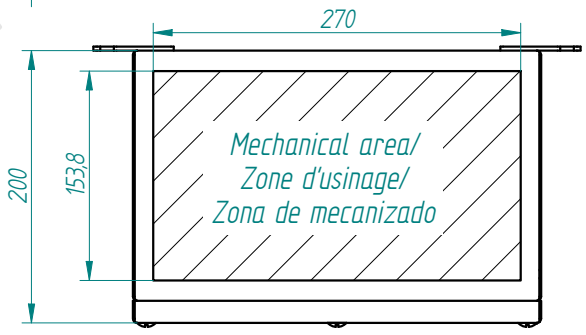
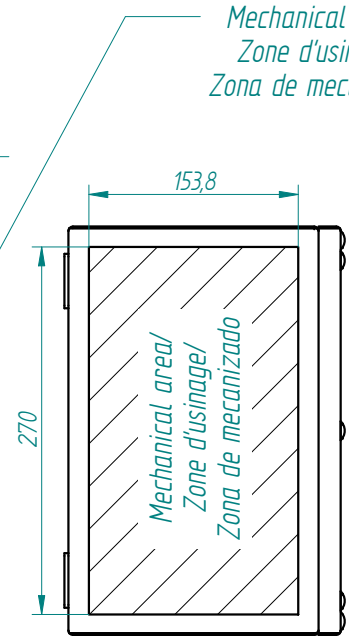
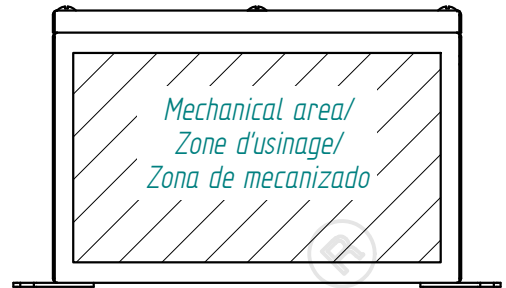
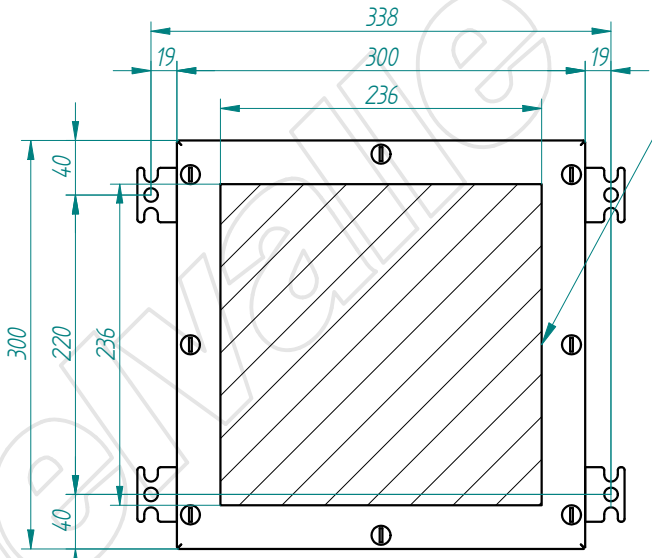
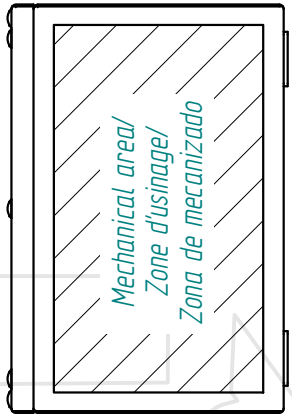
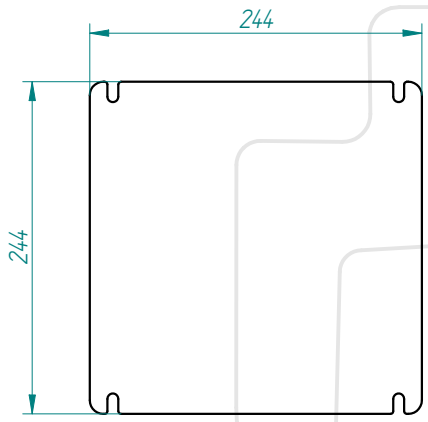
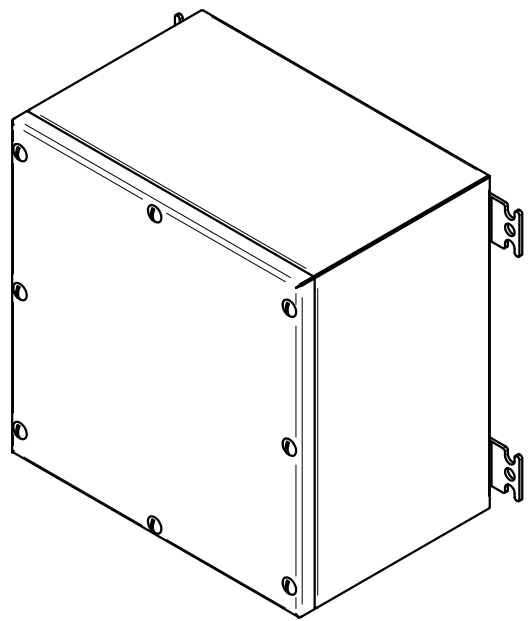
DIBUJADO:	16/04/2015	FIRMA:
APROBADO:	16/04/2015	D.Martinez
DESIGNACIÓN:		Nº PLANO:
Geox 200x250x200 estandar		CB/67-00 a



Nº PLANO:  
CB/67-00 a



This present document and its contents are confidential, and are the exclusive intellectual and / or industrial property of DEVALLE. In addition to any technology, design, invention, work, process, know-how, calculation, manual, method, solution, idea, improvement, drawing, diagram, modification, contribution and, in short, any associated information or documentation involving industrial or intellectual property developed or supplied by DEVALLE on the occasion of the quote, order execution or incorporated into the design or operation of the supply. The recipient may not use such property in his favour or in that of a third party for purposes other than the fulfilment of the order and the operation and maintenance of the supply, without the prior written consent of DEVALLE. It is strictly forbidden to totally or partially reproduce this document and to misuse it or to show it to third parties. The infringing parties shall be required to pay the corresponding compensation for damages, and any other legal or criminal responsibilities, the infringement may give rise to.



Mechanical area/  
Zone d'usinage/  
Zona de mecanizado


Mechanical area/  
Zone d'usinage/  
Zona de mecanizado

Mechanical area/  
Zone d'usinage/  
Zona de mecanizado

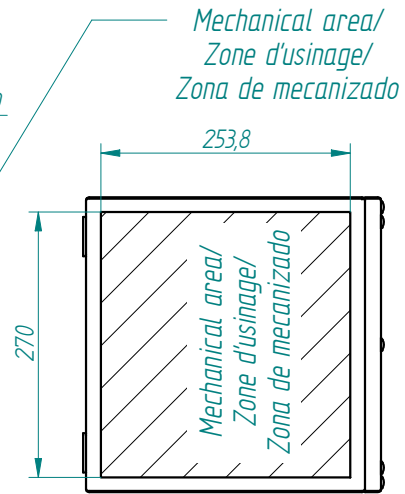
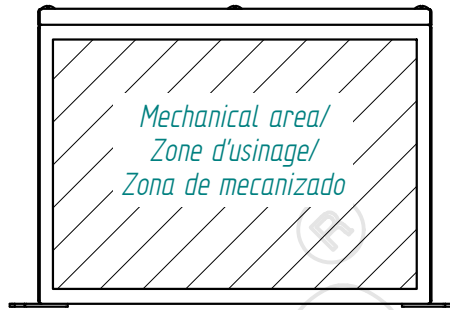
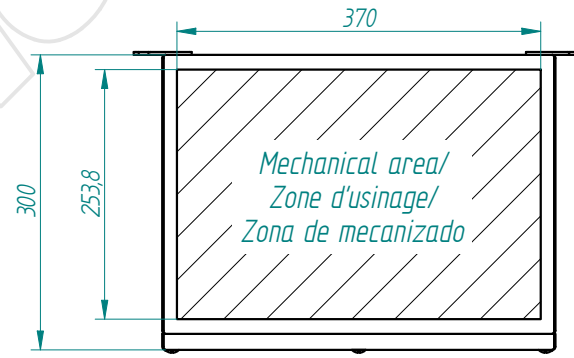
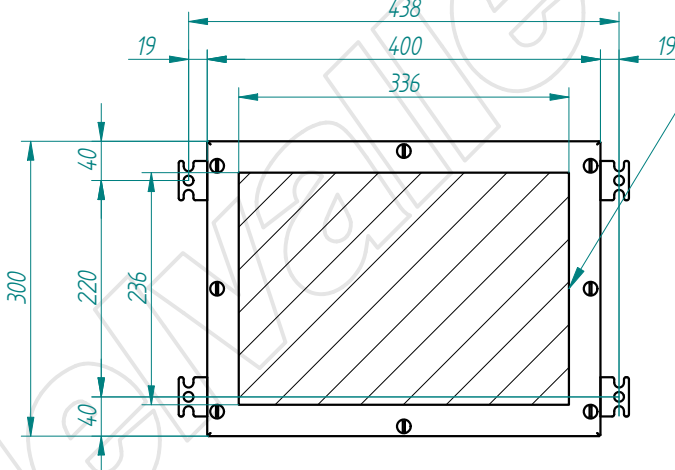
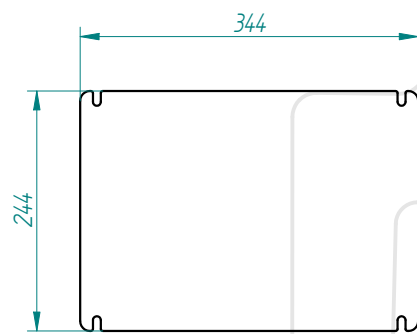
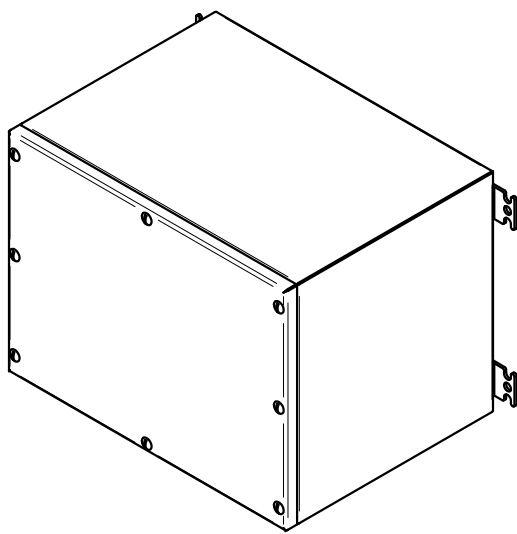
Mechanical area/  
Zone d'usinage/  
Zona de mecanizado

Mechanical area/  
Zone d'usinage/  
Zona de mecanizado



TOLERANCIA GENERAL DE MECANIZACION segun DIN 7168	Creación del documento	16/04/2015	D.MTNEZ	A	Referencia: MVEB000000/67	DIBUJADO: 16/04/2015	FECHA: 16/04/2015	FIRMA: D.Martinez	 Nº PLANO: CB/67-00 a
	MODIFICACIONES	FECHA:	FIRMA:	REVISIÓN:	- plegado: acabado:	DESIGNACIÓN: Geox 300x300x200 estandar	APROBADO: 16/04/2015	FIRMA: D.Martinez	

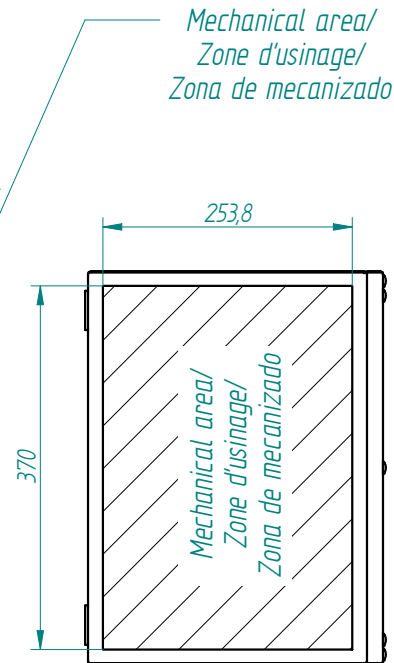
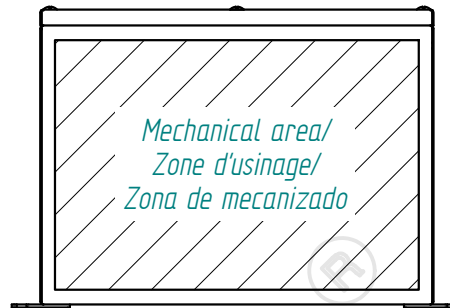
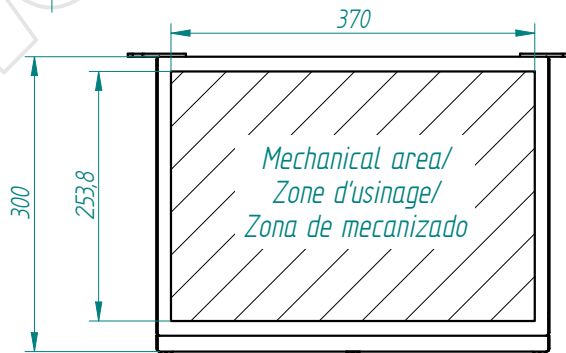
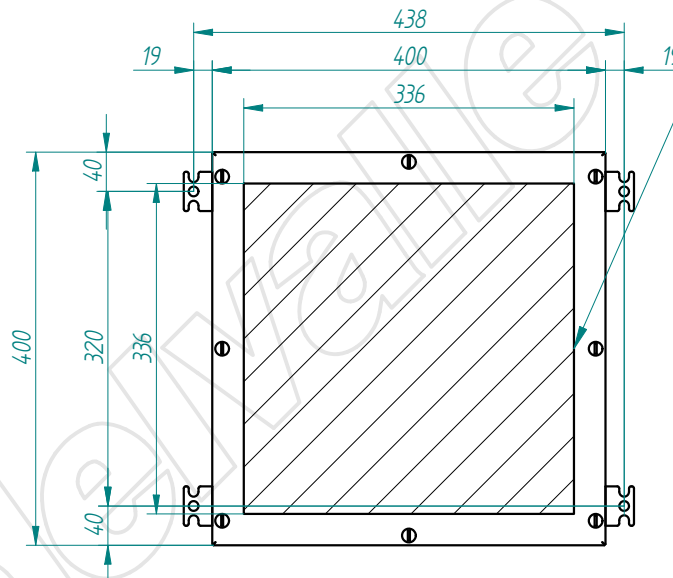
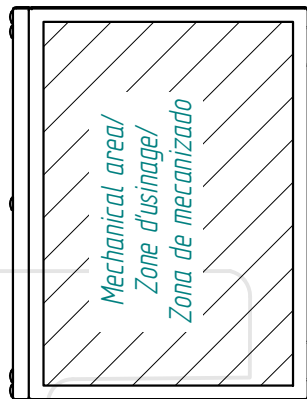
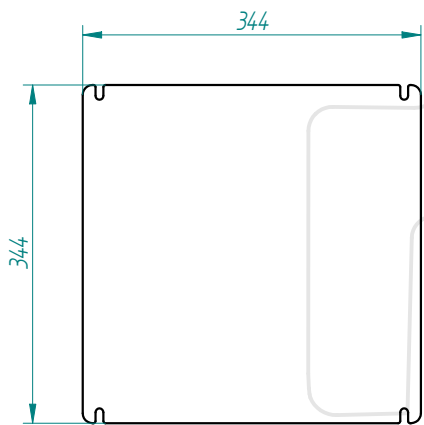
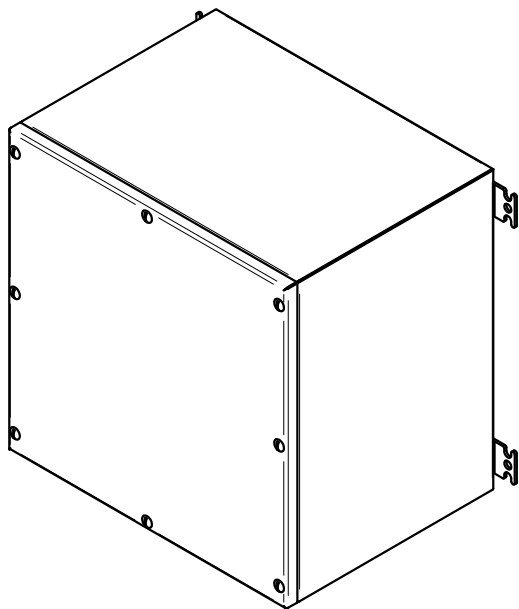
This present document and its contents are confidential, and are the exclusive intellectual and / or industrial property of DEVALLE. In addition to any technology, design, invention, work, process, know-how, calculation, manual, method, solution, idea, improvement, drawing, diagram, modification, contribution and, in short, any associated information or documentation involving industrial or intellectual property developed or supplied by DEVALLE on the occasion of the quote, order execution or incorporated into the design or operation of the supply. The recipient may not use such property in his favour or in that of a third party for purposes other than the fulfilment of the order and the operation and maintenance of the supply, without the prior written consent of DEVALLE. It is strictly forbidden to totally or partially reproduce this document and to misuse it and / or to show it to third parties. The infringing parties shall be required to pay the corresponding compensation for damages, and any other legal or criminal responsibility is the infringer's sole responsibility.



TOLERANCIA GENERAL DE MECANIZACION según DIN 7168				Referencia:				
				MVEB000000/67	DIBUJADO:	16/04/2015	FIRMA: D.Martínez	
					APROBADO:	16/04/2015	D.Martínez	
	Creación del documento	16/04/2015	D.MTNEZ	A	DESIGNACIÓN: Geox 300x400x300 estandar			
	MODIFICACIONES	FECHA:	FIRMA:	REVISIÓN:	Nº PLANO: CB/67-00 a			
				plegado: acabado:				



This present document and its contents are confidential, and are the exclusive intellectual and / or industrial property of DEVALLE. In addition to any technology, design, invention, work, process, know-how, calculation, manual, method, solution, idea, improvement, drawing, diagram, modification, contribution and, in short, any associated information or documentation involving industrial or intellectual property developed or supplied by DEVALLE on the occasion of the quote, order execution or incorporated into the design or operation of the supply. The recipient may not use such property in his favour or in that of a third party for purposes other than the fulfilment of the order and the operation and maintenance of the supply, without the prior written consent of DEVALLE. It is strictly forbidden to totally or partially reproduce this document and to misuse it or to show it to third parties. The infringing parties shall be required to pay the corresponding compensation for damages, and any other legal or criminal responsibilities, the infringement may give rise to.



TOLERANCIA GENERAL  
DE MECANIZACION  
segun DIN 7168

Creación del documento	16/04/2015	D.MTNEZ	A
MODIFICACIONES	FECHA:	FIRMA:	REVISIÓN:

Referencia:  
MVEB000000/67

DIBUJADO:	16/04/2015	FIRMA:
APROBADO:	16/04/2015	D.Martinez

DESIGNACIÓN:

Geox 400x400x300 estandar

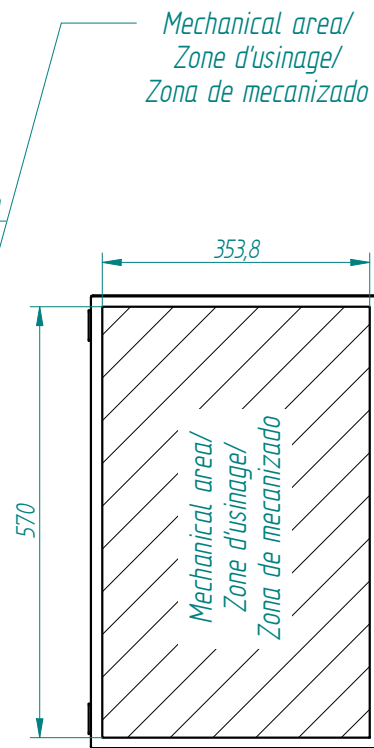
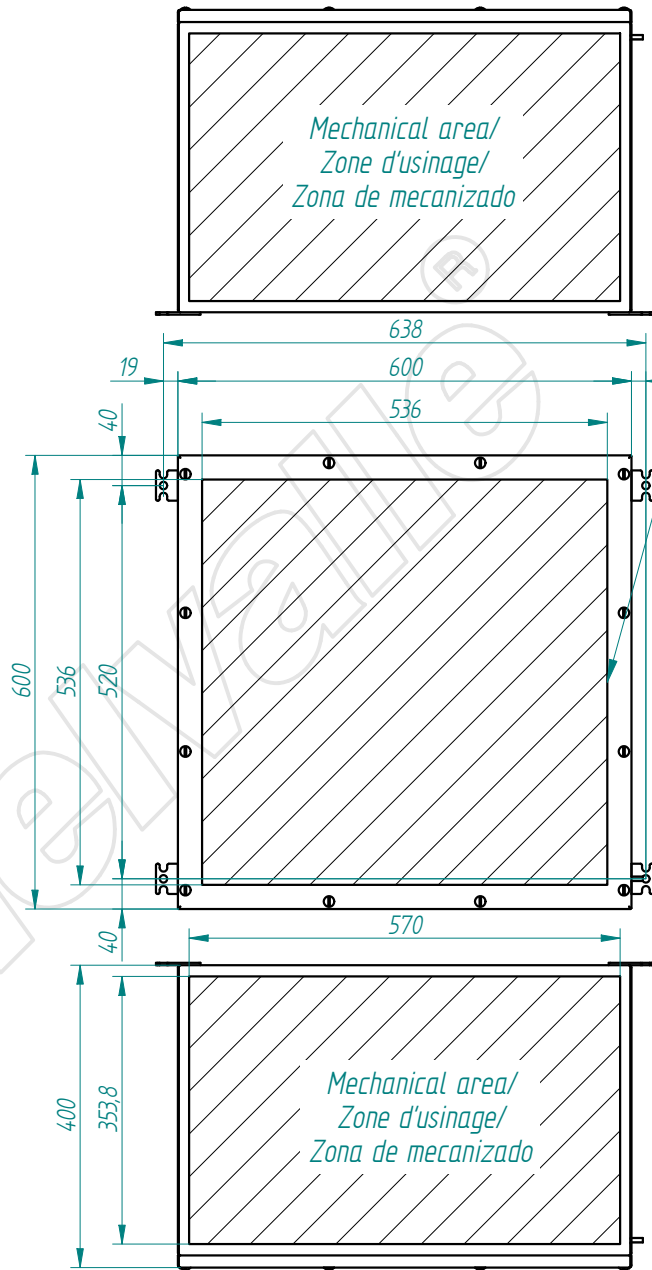
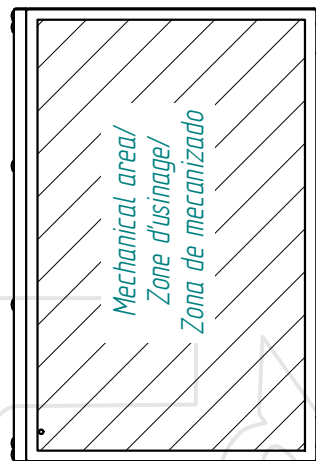
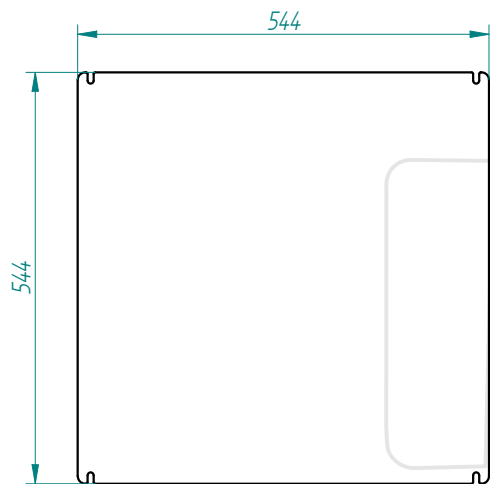
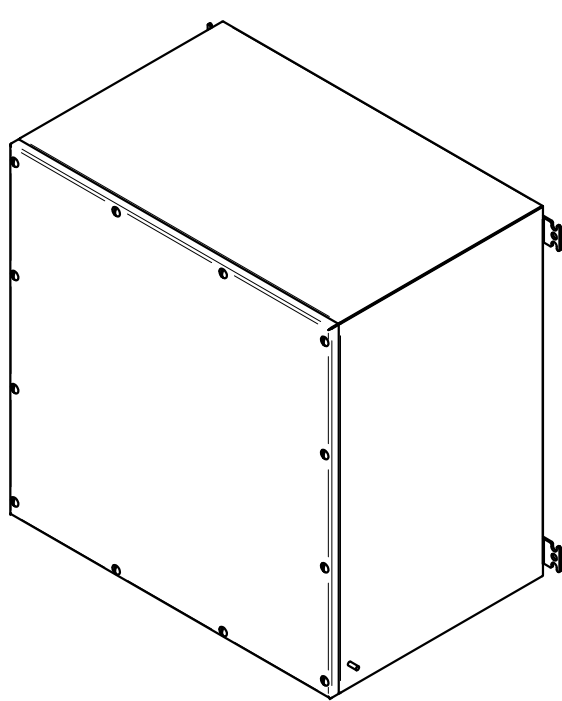
Nº PLANO:


CB/67-00 a





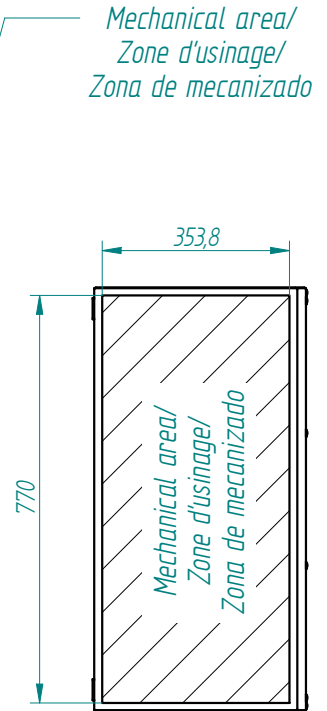
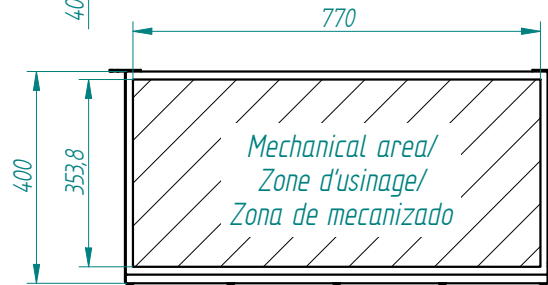
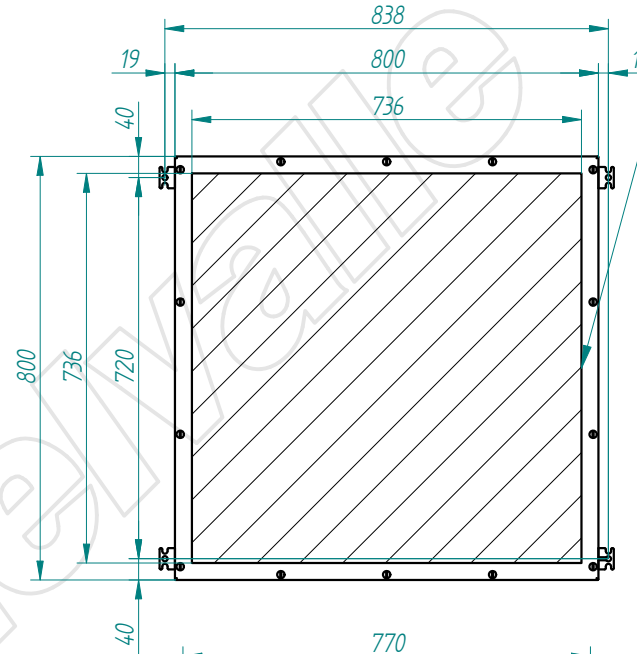
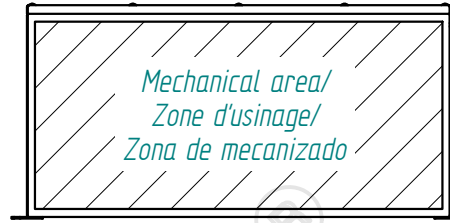
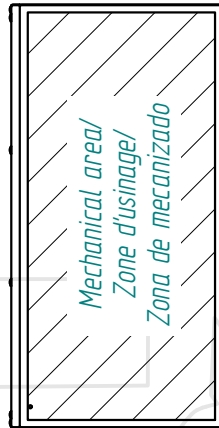
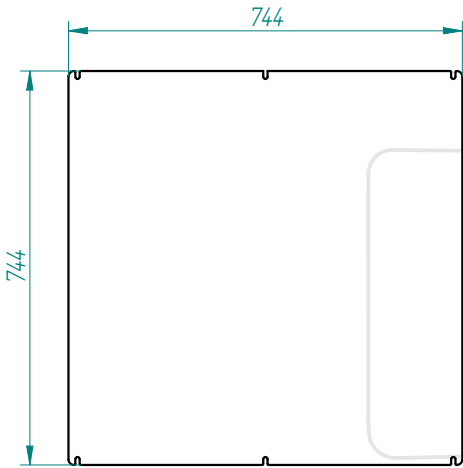
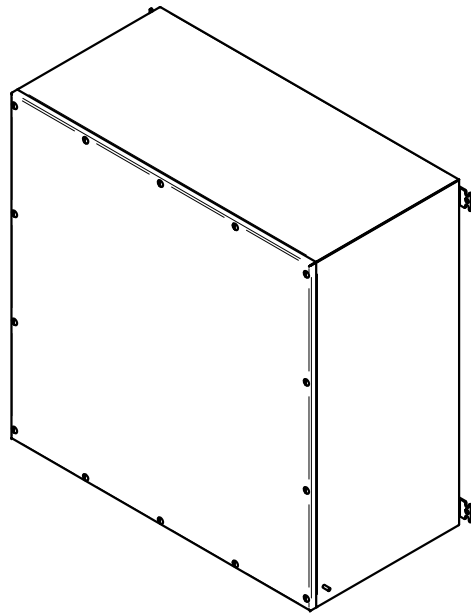
This present document and its contents are confidential, and are the exclusive intellectual and / or industrial property of DELVALLE. In addition to any technology, design, invention, work, process, know-how, calculation, manual, method, solution, idea, improvement, drawing, diagram, modification, contribution and, in short, any associated information involving industrial or intellectual property developed or supplied by DELVALLE on the occasion of the quote, order execution or incorporated into the design or operation of the supply. The recipient may not use such property in his favour or in that of a third party for purposes other than the fulfilment of the order and the operation and maintenance of the supply, without the prior written consent of DELVALLE. It is strictly forbidden to totally or partially reproduce this document and to misuse it and / or to show it to third parties. The infringing parties shall be required to pay the corresponding compensation for damages, and any other legal or criminal responsibilities if the infringement may give rise to.



TOLERANCIA GENERAL DE MECANIZACION según DIN 7168	Creación del documento	17/04/2015	D.MTNEZ	A	Referencia: MVEB000000/67	DIBUJADO: 17/04/2015	FECHA: 17/04/2015	FIRMA: D.Martínez	 Nº PLANO:
	MODIFICACIONES	FECHA:	FIRMA:	REVISIÓN:	- plegado: acabado:	DESIGNACIÓN: <b>Geoex 600x600x400 estandar</b>		D.Martínez	



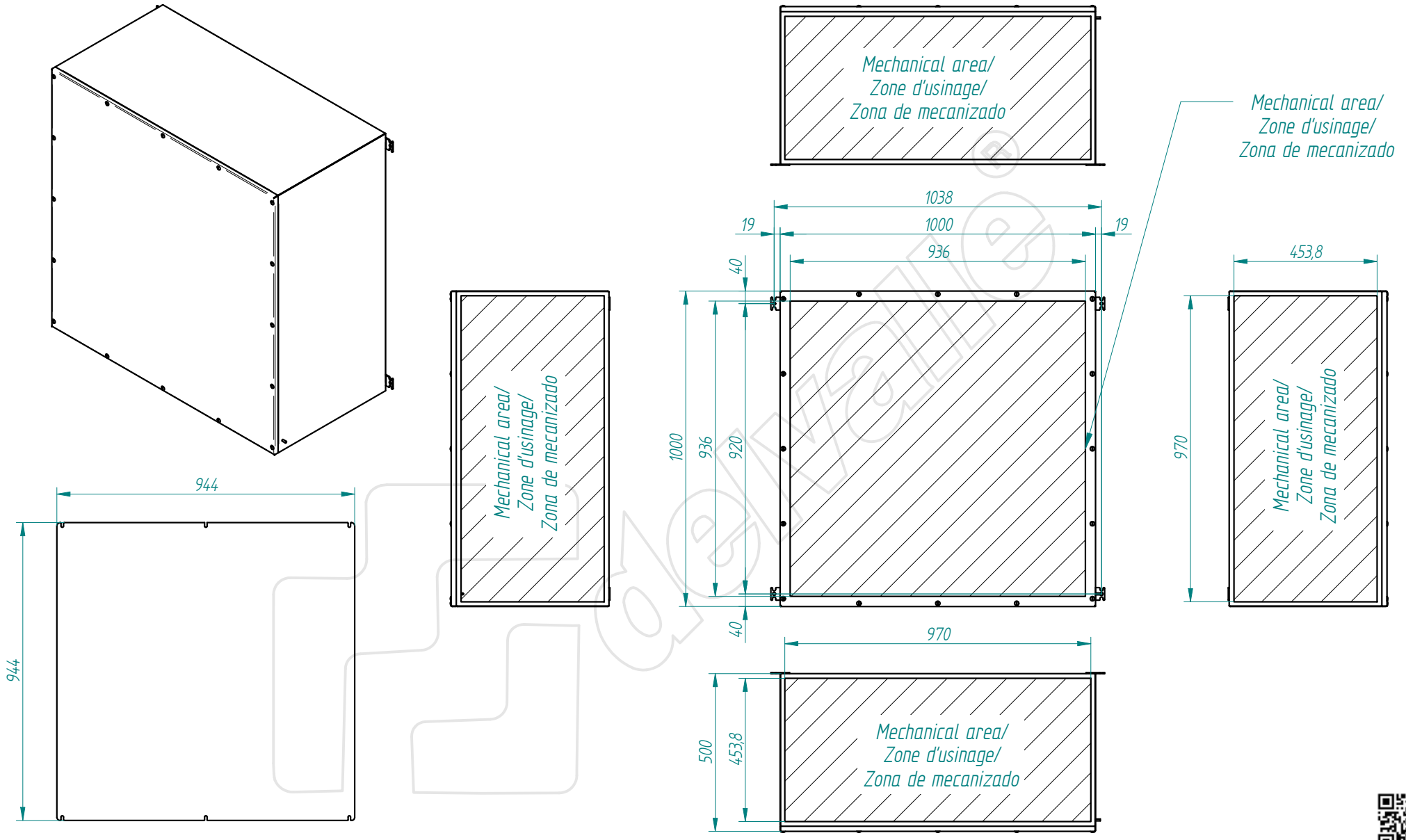
This present document and its contents are confidential, and are the exclusive intellectual and / or industrial property of DEVALLE. In addition to any technology, design, invention, work, process, know-how, calculation, manual, method, solution, idea, improvement, drawing, diagram, modification, contribution and, in short, any associated information or documentation involving industrial or intellectual property developed or supplied by DEVALLE on the occasion of the quote, order execution or incorporated into the design or operation of the supply. The recipient may not use such property in his favour or in that of a third party for purposes other than the fulfilment of the order and the operation and maintenance of the supply, without the prior written consent of DEVALLE. It is strictly forbidden to totally or partially reproduce this document and to misuse it and / or to show it to third parties. The infringing parties shall be required to pay the corresponding compensation for damages, and any other legal or criminal responsibilities, the infringement may give rise to.




TOLERANCIA GENERAL DE MECANIZACION según DIN 7168					Referencia:			
					MVEB000000/67	DIBUJADO:	FECHA:	FIRMA:
						17/04/2015	17/04/2015	D.Martínez
						APROBADO:		D.Martínez
						DESIGNACIÓN:	Nº PLANO:	
						Geoex 800x800x400 estandar		CB/67-00 a
	Creación del documento	17/04/2015	D.MTNEZ	A	-			
	MODIFICACIONES	FECHA:	FIRMA:	REVISIÓN:	plegado: acabado:			

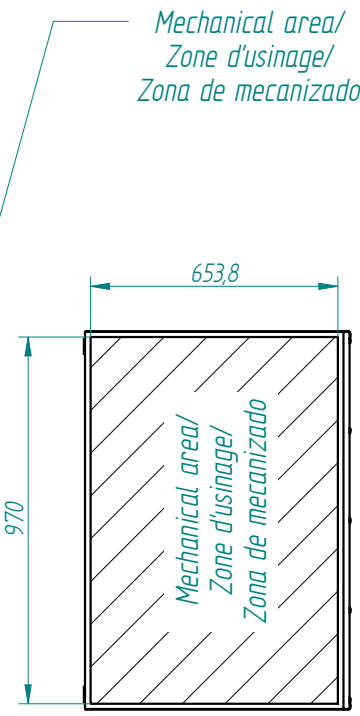
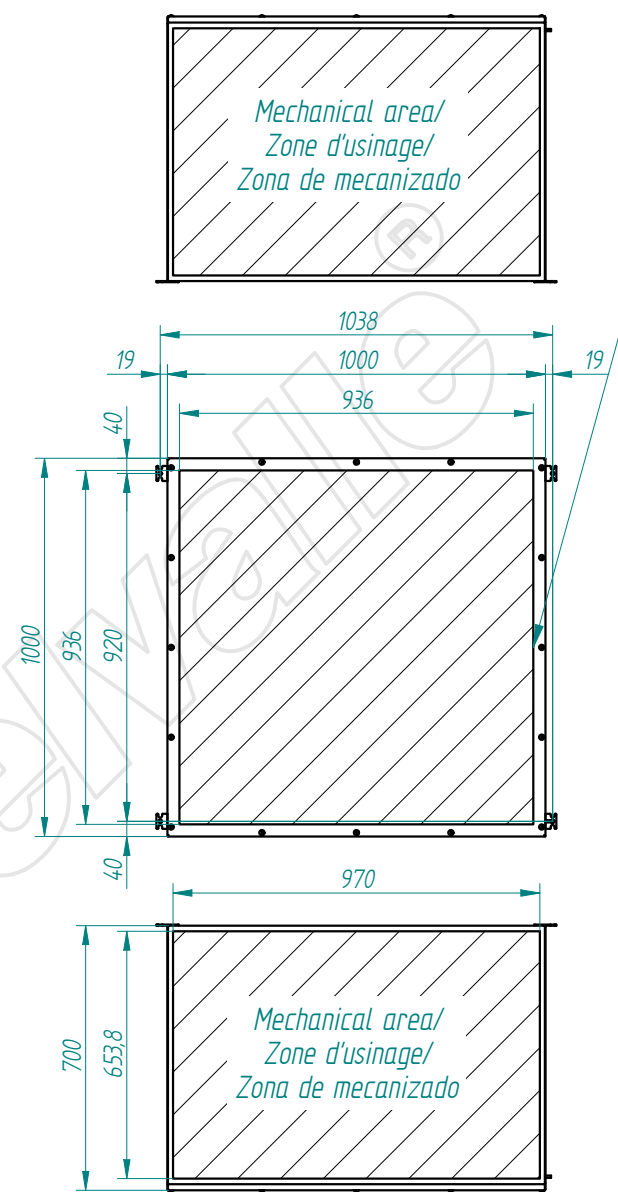
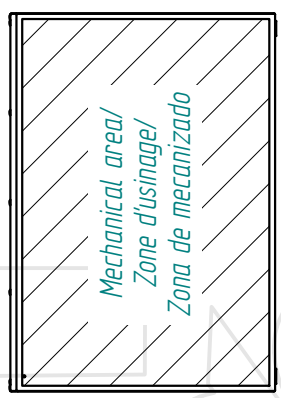
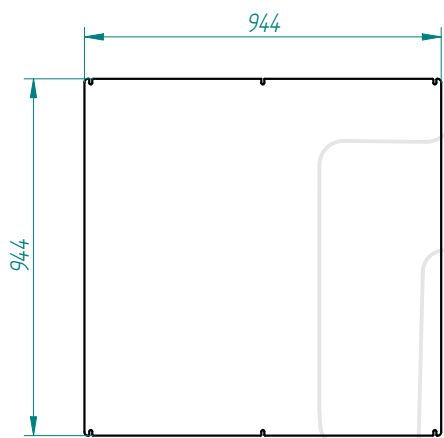
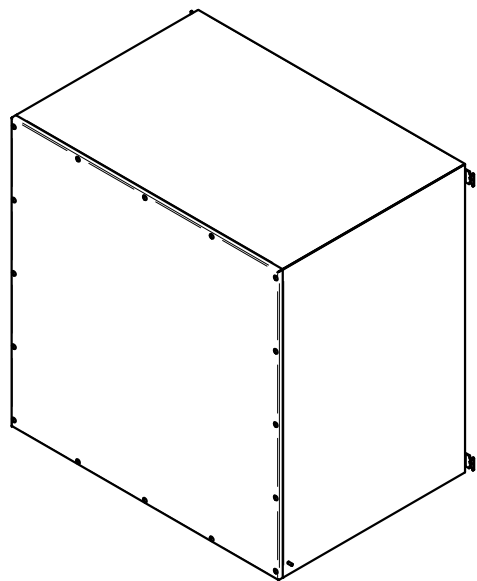



This present document and its contents are confidential, and are the exclusive intellectual and / or industrial property of DELVALLE. In addition to any technology, design, invention, work, process, know-how, calculation, manual, method, solution, idea, improvement, drawing, diagram, modification, contribution and, in short, any associated information or documentation involving industrial or intellectual property developed or supplied by DELVALLE on the occasion of the quote, order execution or incorporated into the design or operation of the supply. The recipient may not use such property in his favour or in that of a third party for purposes other than the fulfilment of the order and the operation and maintenance of the supply, without the prior written consent of DELVALLE. It is strictly forbidden to totally or partially reproduce this document and to misuse it or to show it to third parties. The infringing parties shall be required to pay the corresponding compensation for damages, and any other legal or criminal responsibility & the infringement may give rise to.



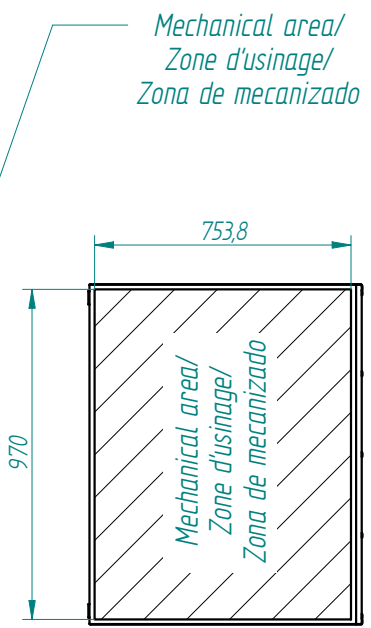
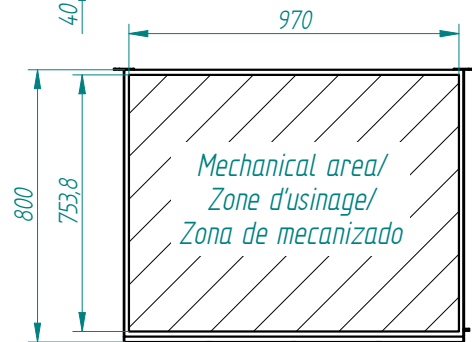
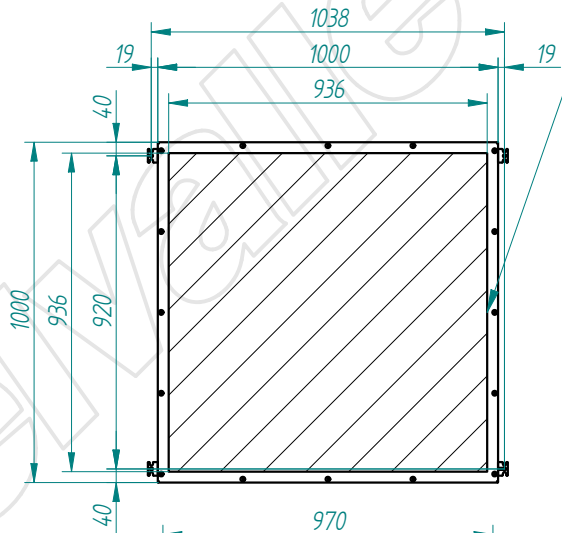
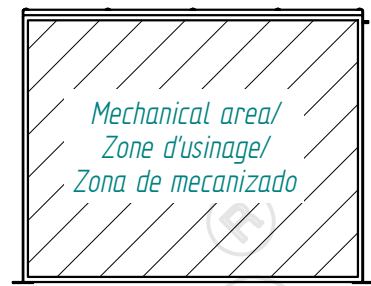
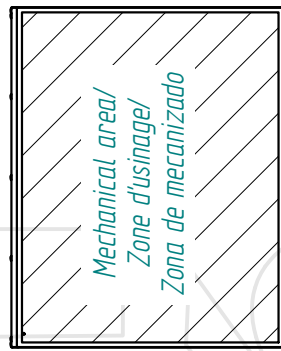
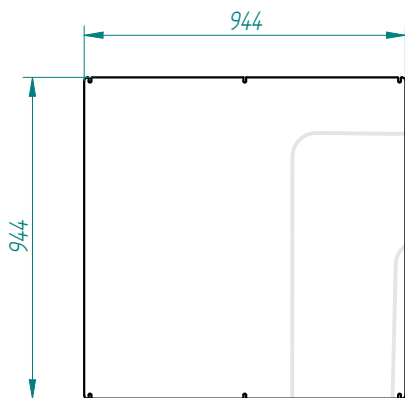
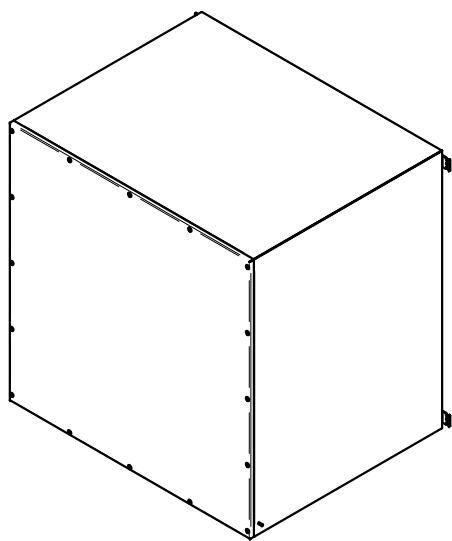
TOLERANCIA GENERAL DE MECANIZACION según DIN 7168	Creación del documento	20/04/2015	D.MTNEZ	A	Referencia: MVEB000000/67	DIBUJADO: 20/04/2015	FECHA: 20/04/2015	FIRMA: D.Martinez	 Nº PLANO: CB/67-00 a
	MODIFICACIONES	FECHA:	FIRMA:	REVISIÓN:	- plegado: acabado:	APROBADO: 20/04/2015 DESIGNACIÓN: <b>Geox 1000x1000x500 estandar</b>	APROBADO: 20/04/2015 FIRMADO: D.Martinez		


This present document and its contents are confidential, and are the exclusive intellectual and / or industrial property of DELVALLE. In addition to any technology, design, invention, work, process, know-how, calculation, manual, method, solution, idea, improvement, drawing, diagram, modification, contribution and, in short, any associated information or documentation involving industrial or intellectual property developed or supplied by DELVALLE on the occasion of the quote, order execution or incorporated into the design or operation of the supply. The recipient may not use such property in his favour or in that of a third party for purposes other than the fulfilment of the order and the operation and maintenance of the supply, without the prior written consent of DELVALLE. It is strictly forbidden to totally or partially reproduce this document and to misuse it and / or to show it to third parties. The infringing parties shall be required to pay the corresponding compensation for damages, and any other legal or criminal responsibilities if the infringement may give rise to.



TOLERANCIA GENERAL DE MECANIZACION según DIN 7168	Creación del documento	17/04/2015	D.MTNEZ	A	Referencia: MVEB000000/67 - plegado: - acabado:	DIBUJADO:	17/04/2015	FIRMA: D.Martinez	 N° PLANO: CB/67-00 a
	MODIFICACIONES	FECHA:	FIRMA:	REVISIÓN:		APROBADO:	17/04/2015	D.Martinez	
DESIGNACIÓN: <b>Geoex 1000x1000x700 estandar</b>									

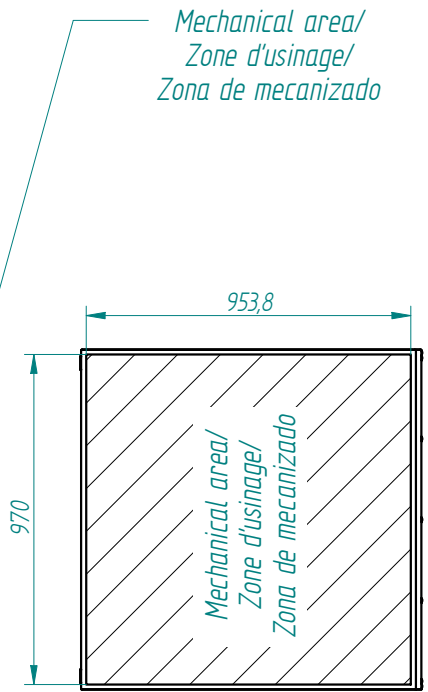
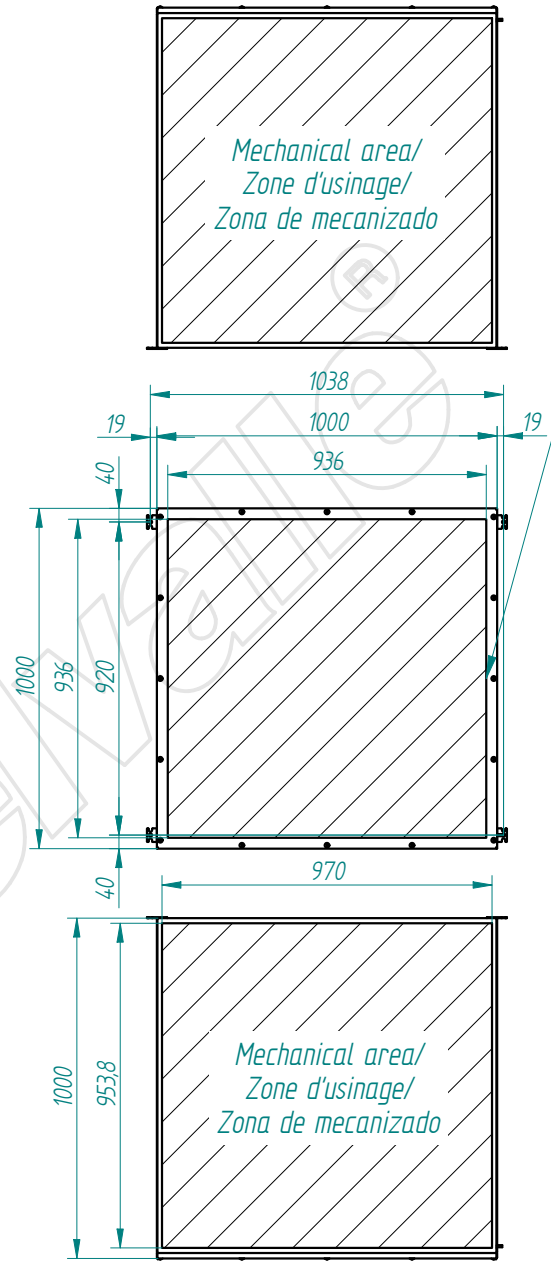
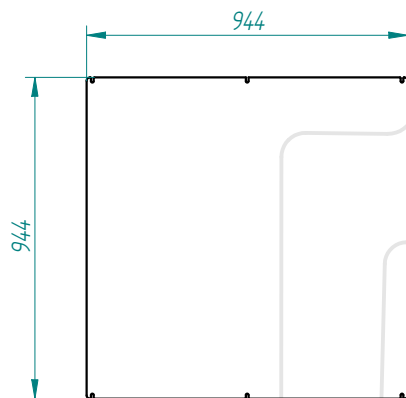
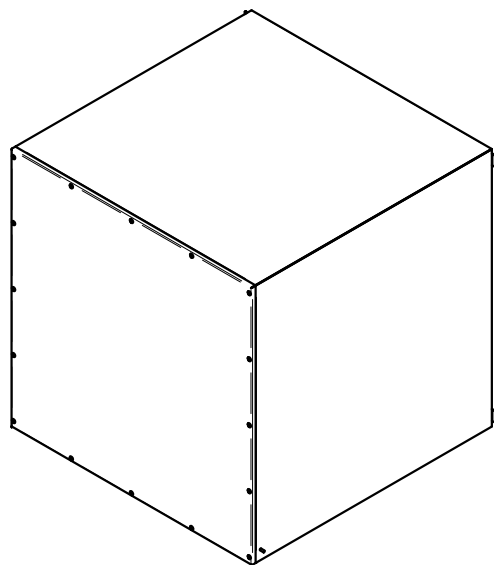
This present document and its contents are confidential, and are the exclusive intellectual and / or industrial property of DELVALLE. In addition to any technology, design, invention, work, process, know-how, calculation, manual, method, solution, idea, improvement, drawing, diagram, modification, contribution and, in short, any associated information or documentation involving industrial or intellectual property developed or supplied by DELVALLE on the occasion of the quote, order execution or incorporated into the design or operation of the supply. The recipient may not use such property in his favour or in that of a third party for purposes other than the fulfilment of the order and the operation and maintenance of the supply, without the prior written consent of DELVALLE. It is strictly forbidden to totally or partially reproduce this document and to misuse it and / or to show it to third parties. The infringing parties shall be required to pay the corresponding compensation for damages, and any other legal or criminal responsibility is the infringement may give rise to.




TOLERANCIA GENERAL DE MECANIZACION según DIN 7168	Creación del documento	17/04/2015	D.MTNEZ	A	Referencia: MVEB000000/67 - plegado: acabado.	DIBUJADO:	17/04/2015	FIRMA:	D.Martínez	 N° PLANO: CB/67-00 a
	MODIFICACIONES	FECHA:	FIRMA:	REVISIÓN:		APROBADO:	17/04/2015	D.Martínez		
DESIGNACIÓN:						Geoex 1000x1000x800 estandar				



This present document and its contents are confidential, and are the exclusive intellectual and / or industrial property of DELVALLE. In addition to any technology, design, invention, work, process, know-how, calculation, manual, method, solution, idea, improvement, drawing, diagram, modification, contribution and, in short, any associated information or documentation involving industrial or intellectual property developed or supplied by DELVALLE on the occasion of the quote, order execution or incorporated into the design or operation of the supply. The recipient may not use such property in his favour or in that of a third party for purposes other than the fulfilment of the order and the operation and maintenance of the supply, without the prior written consent of DELVALLE. It is strictly forbidden to totally or partially reproduce this document and to misuse it and / or to show it to third parties. The infringing parties shall be required to pay the corresponding compensation for damages, and any other legal or criminal responsibility is the infringement may give rise to.



TOLERANCIA GENERAL DE MECANIZACION según DIN 7168	Creación del documento	17/04/2015	D.MTNEZ	A	Referencia: MVEB000000/67	DIBUJADO: 17/04/2015	FECHA: 17/04/2015	FIRMA: D.Martínez	 Nº PLANO: CB/67-00 a
	MODIFICACIONES	FECHA:	FIRMA:	REVISIÓN:	- plegado: acabado:	DESIGNACIÓN: <b>Geox 1000x1000x1000 estandar</b>	APROBADO: 17/04/2015	FIRMA: D.Martínez	