

Zones 1, 2, 21 and 22



atex@atexdelvalle.com | www.atexdelvalle.com

PERFECT TIGHTNESS AND IMPACT RESISTANCE

# COMPACT INCREASED SAFETY ENCLOSURE

## TRIBEX SERIES IP66



· WE ARE ·  
**MANUFACTURERS**  
CERTIFIED

1.23

# Delvalle, wide experience in manufacturing solutions for hazardous area



## WE PUT AT YOUR DISPOSAL

We offer over **50 years** providing hazardous area **solutions** to demanding customers who require very specific characteristics and behaviour according to the sector and their needs.

## WHEREVER YOU GO

We are committed to working closely with our customers, providing them with exceptional service and offering an advanced and **extensive range of hazardous area products** with very competitive prices.

## CONSULTING & ENGINEERING

Atex Delvalle adapts to our clients' needs by offering hazardous-area systems. Atex-delvalle are the leading certified assembler of Ex junction boxes, our **customized services**, **experienced design** and drafting 3D support.

## HIGH STANDARD OF QUALITY AND SERVICES

We only use materials provided by companies who offer the very highest quality, suitable and certified products. Our success is due to **top quality** assurance: ISO 9001, SGS, UL, TÜV, ISO 14000, Ohsas 1800, Atex, IECEx.



**100%**  
Diseñado y fabricado  
íntegramente en España  
*Entirely designed and  
manufactures in Spain*



## CONTACT US

Confidentiality, reliability & quality

[www.atexdelvalle.com](http://www.atexdelvalle.com)  
[atex@atexdelvalle.com](mailto:atex@atexdelvalle.com)  
+34 945 601 381

ALSO ONLINE



Please contact our technical sales department.

A team of professionals with high experience and ability to solve all your queries.





Zones 1, 2, 21 and 22

# COMPACT INCREASED SAFETY ENCLOSURE

## TRIBEX SERIES IP66



Examples

**A Spacious Interior  
with Great Capacity  
Simplifies Connection  
Operations**

The increased-safety, compact IP66 stainless steel cabinet Tribex is certified to be used in areas 1, 2, 21 & 22. It stands out for its high security and resistance in even the harshest environments.

A spacious interior with great capacity simplifies connection operations.

We can make Tribex cabinets to any dimension required by our customers.

➔ [FOR MORE INFORMATION CLICK HERE](#)



## APPLICATIONS

Specially designed for the following sectors where facilities require additional security and, in general, areas at risk of explosion and explosive atmospheres where Atex equipment is necessary.

- Oil and Gas
- Offshore and High Seas
- Industry and Automation
- Chemical and Refineries
- Pharmaceutical
- Maritime and Port
- Fieldstations:
- Food and Beverages
- Paper Industry
- Air Transportation
- Nuclear and Renewable



## OPTIONS

- Manufactured in stainless steel:
  - AISI 304L
  - AISI 316L
- Option of cable gland plate.
- Available with double access (both front and rear doors).
- Possibility of manufacturing in galvanized steel.



## FEATURES

- Made of stainless steel AISI 304L or AISI 316L and with a polished glossy surface finish.
- For use in zones 1, 2, 21 and 22 and to place Ex component terminals.
- Spacious interior that simplifies connection operations.
- Guaranteed anticorrosion protection.
- Safe and resistant in hard and aggressive environments.
- Monobloc shape giving perfect sealing and impact resistance.
- Earth stud inserted allowing with external connection.
- Quarter-turn double-bit locks and stainless steel hinges.
- Option: double access (front and rear doors).
- Possible accessories: eyebolt, baseboards and wall brackets.



# INCREASED SAFETY ENCLOSURES **TRIBEX SERIES** IP66

## TURNKEY PROJECTS

**Options available** include sizes, colours, types of connection among others. As we have a close relationship with the main **Atex & IECEx certified** companies in our field, we achieve total adaptability and flexibility being **manufacturers**



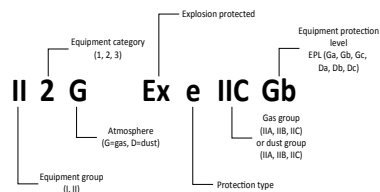
## NORMS AND CERTIFICATES

- II2G Ex e IIC Gb and II2D Ex tb IIIC Db IP66 according to directive 94/9/CE and standard EN IEC 60079-0, EN 60079-7, EN 60079-31.
- IP66 protection according to EN 60529.
- Maximum IK10 resistance, Norm IEC 62262.
- Certificate LOM I4Atex3027U.
- Certificate UL Nema 4x, I2, 3r and I (on request). N°File E342220.
- Polyurethane gasket:  $-25^{\circ}\text{C} < \text{Ta} < 80^{\circ}\text{C}$ .
- Silicone sponge gasket:  $-45^{\circ}\text{C} < \text{Ta} < 135^{\circ}\text{C}$ .
- Silicone foam gasket:  $-45^{\circ}\text{C} < \text{Ta} < 155^{\circ}\text{C}$ .

## CE CERTIFICATE


**HAZARDOUS AREA SOLUTIONS**  
 (+34 945 601 381)  
 Paso el Prao 6  
 Oyón, 01320 (Spain)  
 atex@atexdelvalle.com

Type: TB404025EX  
 LOM 14 ATEX 3027 U  
 0163   
 II 2G Ex eb IIC Gb  
 II 2D Ex tb IIIC Db IP66  
 Serial nr: PV1516-01215-1A  
 IECEx LOM 16.003U  
 Ex e IIC Gb  
 Ex tb IIIC Db IP66  
 Year: 2016  
[www.atexdelvalle.com](http://www.atexdelvalle.com)

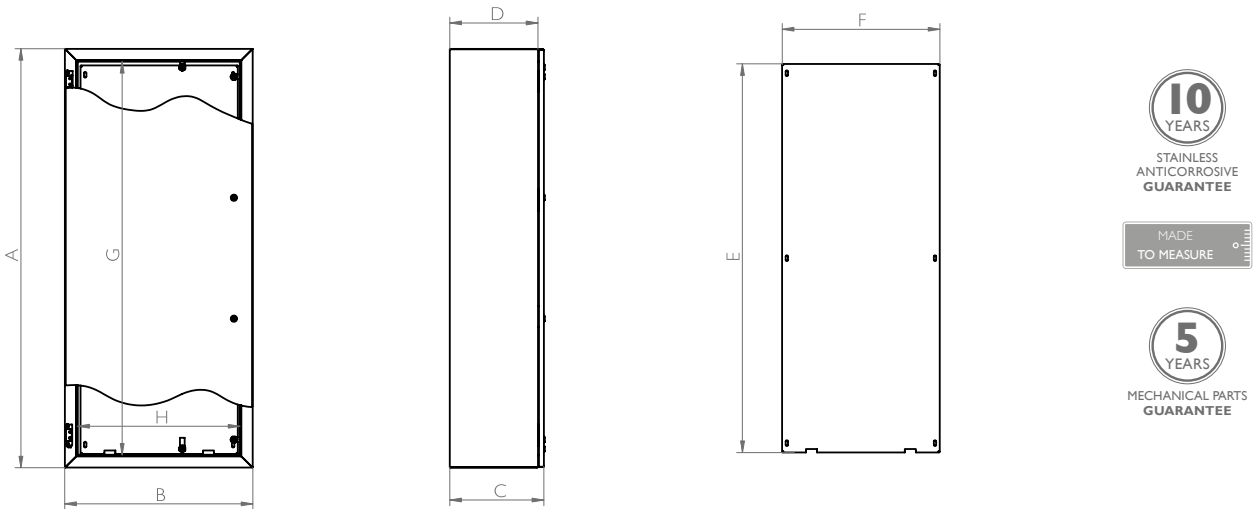



**HAZARDOUS AREA SOLUTIONS**  
 (+34 945 601 381)  
 Paso el Prao 6  
 Oyón, 01320 (Spain)  
 atex@atexdelvalle.com

Type: TB404025EX  
 LOM 14 ATEX 3027 U  
 0163   
 II 2G Ex eb IIC Gb  
 IP66  
 Serial nr: PV1516-01215-1A  
 IECEx LOM 16.003U  
 Ex e IIC Gb  
 Year: 2016  
[www.atexdelvalle.com](http://www.atexdelvalle.com)



## PLAN AND REFERENCES ONE DOOR



INCREASED SAFETY ENCLOSURES TRIBEX - ONE DOOR (mm)									
REFERENCES	HEIGHT (A)	WIDTH (B)	DEPTH (C)	HIGH INTERIOR USEFUL (D)	INTERNAL WIDTH USEFUL (E)	INTERNAL FUND USEFUL (F)	LATERAL AREA MACHINABILITY		PANEL MEASURES (GxH)
							DOOR	SIDE	
TB1260(x)EX	1200	600	200 to 1000	1090	490	172 to 972	930x365	1170x145 to 945	1070x470
TB1280(x)EX	1200	800	200 to 1000	1090	690	172 to 972	930x573	1170x145 to 945	1070x670
TB1210(x)EX	1200	1000	200 to 1000	1090	890	172 to 972	930x773	1170x145 to 945	1070x870
TB1660(x)EX	1650	600	200 to 1000	1540	490	172 to 972	1380x365	1620x145 to 945	1520x470
TB1680(x)EX	1650	800	200 to 1000	1540	690	172 to 972	1380x565	1620x145 to 945	1520x670
TB1610(x)EX	1650	1000	200 to 1000	1540	890	172 to 972	1380x765	1620x145 to 945	1520x870
TB1860(x)EX	1800	600	200 to 1000	1690	490	172 to 972	1530x365	1770x145 to 945	1670x470
TB1880(x)EX	1800	800	200 to 1000	1690	690	172 to 972	1530x565	1770x145 to 945	1670x670
TB1810(x)EX	1800	1000	200 to 1000	1690	890	172 to 972	1530x765	1770x145 to 945	1670x870
TB2060(x)EX	2000	600	200 to 1000	1890	490	172 to 972	1730x365	1970x145 to 945	1870x470
TB2080(x)EX	2000	800	200 to 1000	1890	690	172 to 972	1730x565	1970x145 to 945	1870x670
TB2010(x)EX	2000	1000	200 to 1000	1890	890	172 to 972	1730x765	1970x145 to 945	1870x870

Version: Regulations UL

Add "UL" to the reference. Ex: "TBX1260(x)EXUL"

(x) = 20, 40-50-60-70-80-90-10 for a depth 200, 400, 500, 600, 700, 800, 900 or 1000mm.  
Can be manufactured up to 4mm thick. Separation depth plate 20mm.

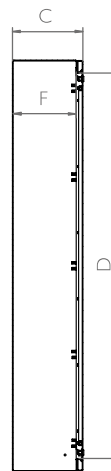
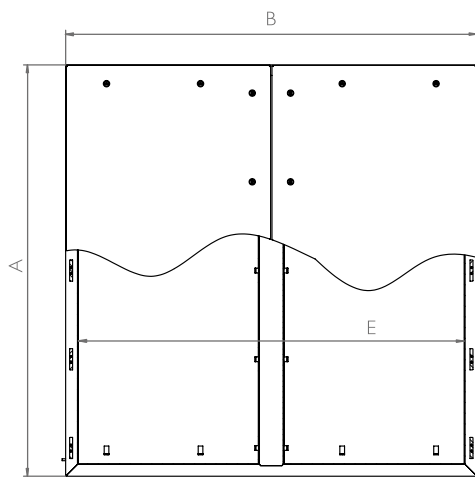
We are manufacturers and we adapt to the specific needs of our customers by offering a wide variety of custom boxes and enclosures according to specifications and/or requests for hazardous, corrosive, and explosive atmospheres in compliance with directive 2014/34/EU



# INCREASED SAFETY ENCLOSURES **TRIBEX SERIES** IP66



## PLAN AND REFERENCES TWO DOORS



INCREASED SAFETY ENCLOSURES TRIBEX - TWO DOORS (mm)

REFERENCES	HEIGHT (A)	WIDTH (B)	DEPTH (C)	HIGH INTERIOR USEFUL (D)	INTERNAL WIDTH USEFUL (E)	INTERNAL FUND USEFUL (F)	LATERAL AREA MACHINABILITY		PANEL MEASURES (GxH)
							DOOR	SIDE	
TB1280(x)DEX	1200	800	200 to 1000	1090	690	172 to 972	930x165	1170x145 to 945	1070x670
TB1212(x)DEX	1200	1200	200 to 1000	1090	1090	172 to 972	940x365	1170x145 to 945	1070x1070
TB1216(x)DEX	1200	1600	200 to 1000	1090	1490	172 to 972	941x565	1170x145 to 945	1070x1470
TB1220(x)DEX	1200	2000	200 to 1000	1090	1890	172 to 972	940x765	1170x145 to 945	1070x1870
TB1680(x)DEX	1650	800	200 to 1000	1540	690	172 to 972	1380x165	1620x145 to 945	1520x670
TB1612(x)DEX	1650	1200	200 to 1000	1540	1090	172 to 972	1380x365	1620x145 to 945	1520x1070
TB1616(x)DEX	1650	1600	200 to 1000	1540	1490	172 to 972	1380x565	1620x145 to 945	1520x1470
TB1620(x)DEX	1650	2000	200 to 1000	1540	1890	172 to 972	1380x765	1620x145 to 945	1520x1870
TB1880(x)DEX	1800	800	200 to 1000	1690	690	172 to 972	1530x165	1770x145 to 945	1670x670
TB1812(x)DEX	1800	1200	200 to 1000	1690	1090	172 to 972	1530x365	1770x145 to 945	1670x1070
TB1816(x)DEX	1800	1600	200 to 1000	1690	1490	172 to 972	1530x565	1770x145 to 945	1670x1470
TB1820(x)DEX	1800	2000	200 to 1000	1690	1890	172 to 972	1530x765	1770x145 to 945	1670x1870
TB2080(x)DEX	2000	800	200 to 1000	1890	690	172 to 972	1730x165	1970x145 to 945	1870x670
TB2012(x)DEX	2000	1200	200 to 1000	1890	1090	172 to 972	1730x365	1970x145 to 945	1870x1070
TB2016(x)DEX	2000	1600	200 to 1000	1890	1490	172 to 972	1730x565	1970x145 to 945	1870x1470
TB2020(x)DEX	2000	2000	200 to 1000	1890	1890	172 to 972	1730x765	1970x145 to 945	1870x1870

Version: Regulations UL

Add "UL" to the reference. Ex: "TBX1260(x)EXUL"

(x) = 20, 40-50-60-70-80-90-10 for a depth 200, 400, 500, 600, 700, 800, 900 or 1000mm.  
This enclosure includes two mounting plates. We can manufacture till 4mm thickness. Separation depth plate 20mm.



# CABLE ENTRY COVER **ATEX** IP65

Our ATEX cable trays keep IP65 protection (minimum).

An ideal complement when we do not know in advance the number of holes or glands to be fixed on the cabinet.

CUSTOM  
MANUFACTURE

(Drilling holes for the placement of cable glands, plugs...)



Cable entry cover: Luxorex, Tribex and Geonex models.





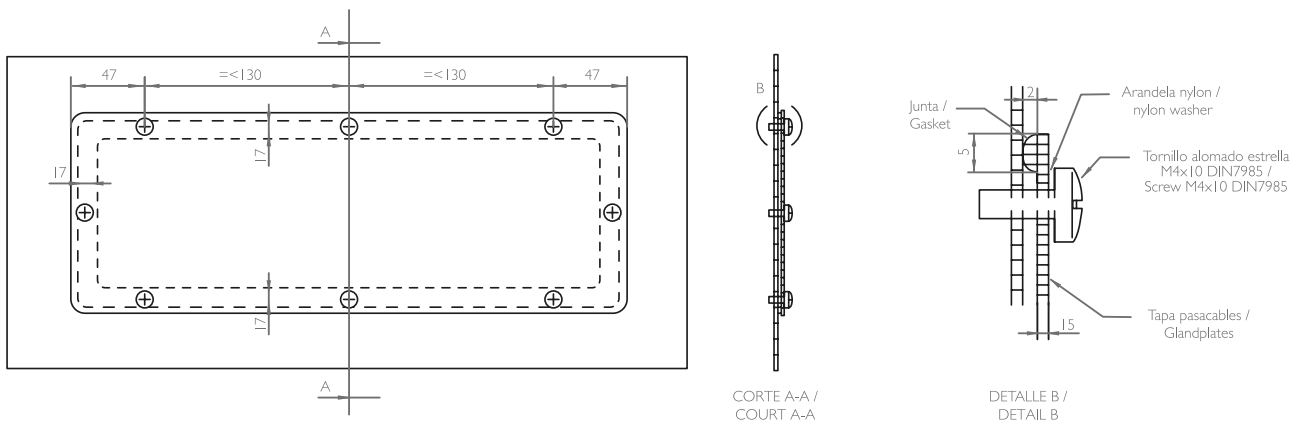
# CABLE ENTRY COVER **ATEX**

IP65

## CHARACTERISTICS

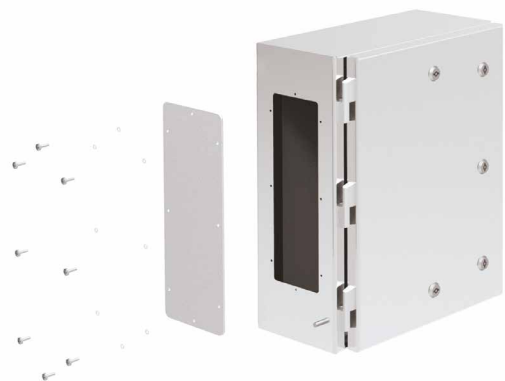
- Made in stainless steel.
- Custom-made: minimum size of 90mmx90mm and maximum size of 600mmx600mm (the widest range now available on the market).
- Thickness
- Two options: 1.5 mm and 3 mm.
- Certified Atex, Ex.
- Easy mounting with screws for easy drilling, keeping protection and Atex safety.

## BLUEPRINT AND DIMENSIONS



## REFERENCES

REFERENCES	DIMENSIONS (mm)			MACHINING
REFERENCES	HEIGHT -A-	WIDTH -B-	DEPTH -C-	MACHINABLE AREA (DxF)
TP909015EX	90	90	1,5	56x56
TP909030EX	90	90	3	56x56
TP149015EX	140	90	1,5	106x56
TP149030EX	140	90	3	106x56
TP259015EX	250	90	1,5	216x56
TP259030EX	250	90	3	216x56
TP351315EX	350	130	1,5	316x56
TP351330EX	350	130	3	316x56
TP503030EX	500	300	3	466x266
TP504030EX	500	400	3	466x366
TP606030EX	600	600	3	566x566



# SOLUTIONS FOR HAZARDOUS AREA

With over 50 years of experience in design, manufacture and supply of electrical high quality Atex & IECEX solutions.

Atex Delvalle adapts to our clients' needs by offering Hazardous Area enclosures and boxes on demand. They are adapted to your specific requirements of installation and assembly, up to the last detail.

Atex Delvalle designs and manufactures a range of Hazardous Area enclosures; junction and terminal boxes, pressurized, flameproof Ex d and increased Safety Ex e Atex & IECEX compliant enclosures.



ATEX CABLE GLANDS



MOTOR STARTER & LOAD DISCONNECT SWITCHES



ATEX TERMINAL & JUNCTION BOXES



ATEX LIGHTING FIXTURE

## HMI INDUSTRIAL PANELS WORKSTATIONS



### FLAMEPROOF ENCLOSURES & PULLING BOXES



### CONTROL STATIONS & DISTRIBUTION BOXES

Atex control boxes (Contrex Series), they are specially designed to perform checks, maneuvers and as actuators in explosive atmospheres. They have a rugged, corrosion system and finished in stainless steel or GRP polyester. It allows you to perform maneuvers and controls at the machine in hazardous areas and take programming and automation in a safe area. Offering customers a great combination of possibilities and flexibility. Select the component that best suits your operator panels, keypads, mushrooms, switches, ammeters... and you assemble all with Atex certified, Ex & IECEx and UL.



### ENCLOSURES FOR CORROSION ENVIRONMENTS

### PRESSURIZED PANELS & ATEX PURGE





**HAZARDOUS AREA SOLUTIONS ATEX E IECEX**



Paso del Prao, 6. 01.23 Oyón (Álava). Spain  
Telf. +34 945 601 381  
atex@atexdelvalle.com | [www.atexdelvalle.com](http://www.atexdelvalle.com)

**Contact us, we will be available at any time**