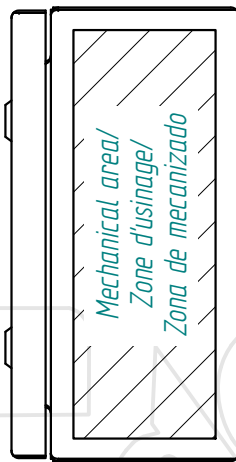
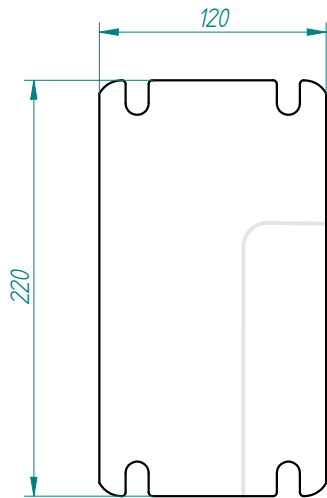
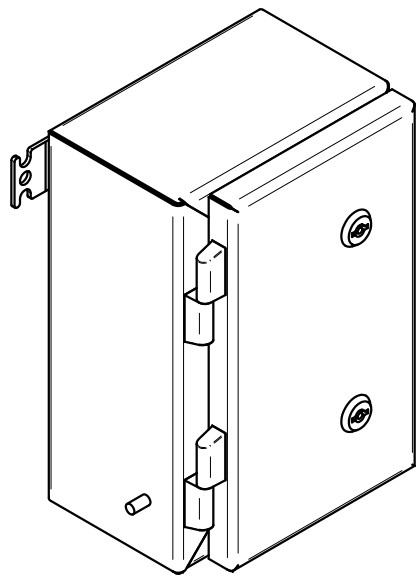
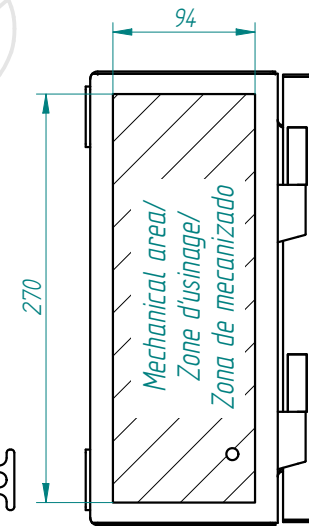
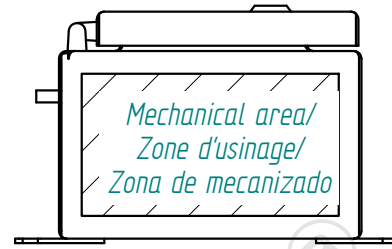
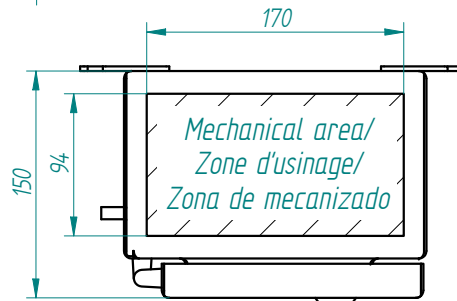
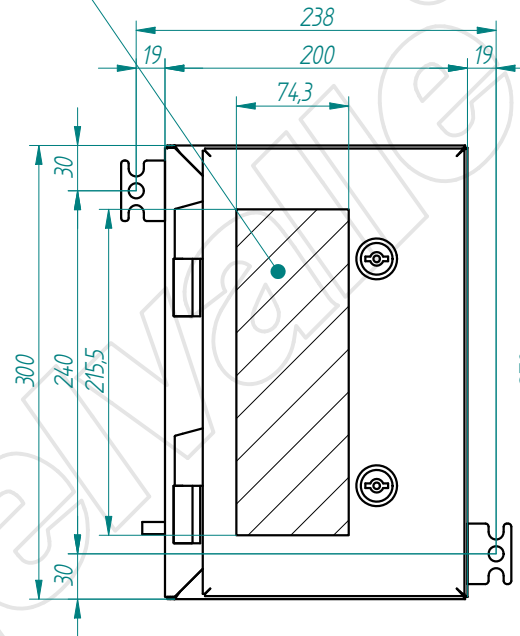



This present document and its contents are confidential, and are the exclusive intellectual and / or industrial property of DELVALLE. In addition to any technology, design, invention, work, process, know-how, calculation, manual, method, solution, idea, improvement, drawing, diagram, modification, contribution and, in short, any associated information or documentation involving industrial or intellectual property developed or supplied by DELVALLE on the occasion of the quote, order execution or incorporated into the design or operation of the supply. The recipient may not use such property in his favour or in that of a third party for purposes other than the fulfilment of the order and the operation and maintenance of the supply, without the prior written consent of DELVALLE. It is strictly forbidden to totally or partially reproduce this document and to misuse it and / or to show it to third parties. The infringing parties shall be required to pay the corresponding compensation for damages, and any other legal or criminal responsibilities. The infringement may give rise to.

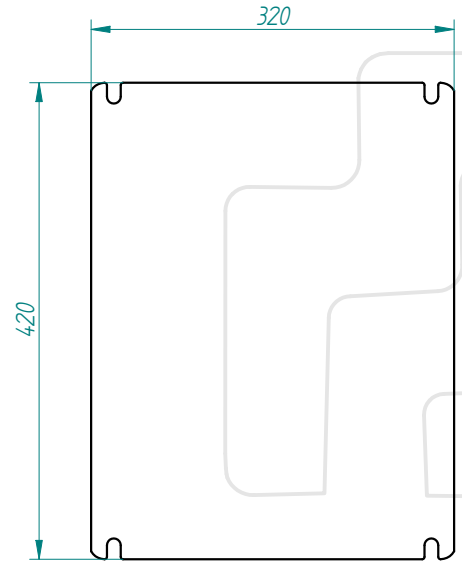
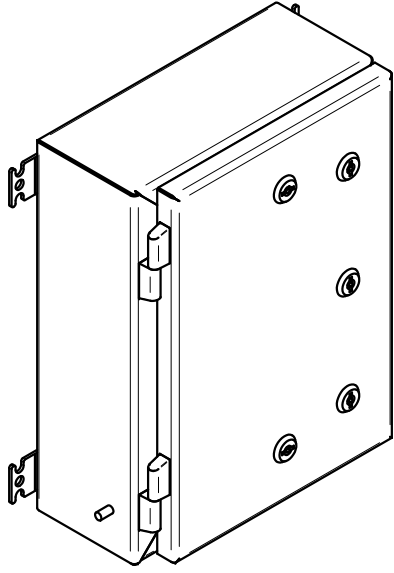


Mechanical area/
Zone d'usinage/
Zona de mecanizado

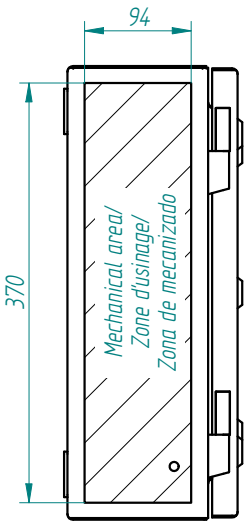
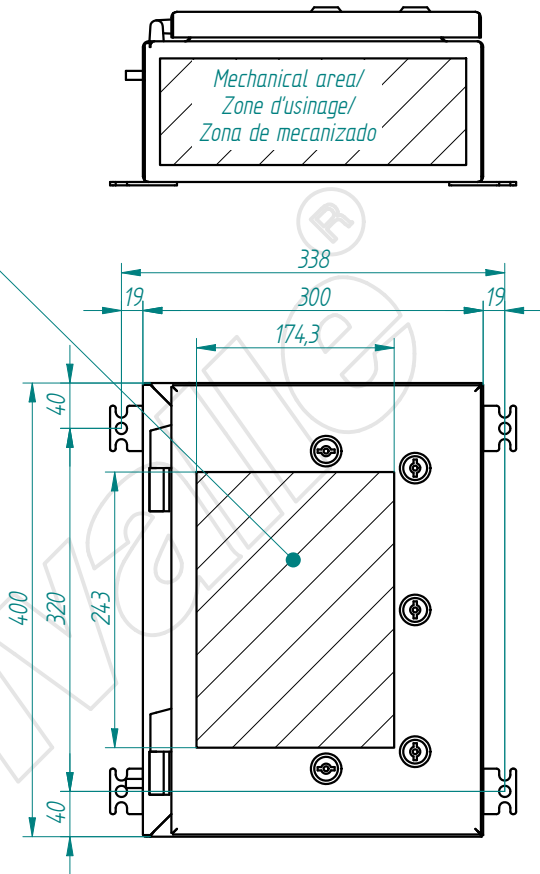



TOLERANCIA GENERAL DE MECANIZACION según DIN 7168	Creación del documento	14/04/2015	D.MTNEZ	A	Referencia: MVAB000000/67	DIBUJADO: 14/04/2015	FECHA: 14/04/2015	FIRMA: D.Martínez	 Nº PLANO: AB/67-00 a
	MODIFICACIONES	FECHA:	FIRMA:	REVISIÓN:	- plegado: acabado:	APROBADO: 14/04/2015 DESIGNACIÓN: luxorex 300x200x150 estandar	APROBADO: 14/04/2015 FIRMA: D.Martínez		

This present document and its contents are confidential, and are the exclusive intellectual and / or industrial property of DELVALLE. In addition to any technology, design, invention, work, process, know-how, calculation, manual, method, solution, idea, improvement, drawing, diagram, modification, contribution and, in short, any associated information or documentation involving industrial or intellectual property developed or supplied by DELVALLE on the occasion of the quote, order execution or incorporated into the design or operation of the supply. The recipient may not use such property in his favour or in that of a third party for purposes other than the fulfilment of the order and the operation and maintenance of the supply, without the prior written consent of DELVALLE. It is strictly forbidden to totally or partially reproduce this document and to misuse it or to show it to third parties. The infringing parties shall be required to pay the corresponding compensation for damages, and any other legal or criminal responsibilities, the infringement may give rise to.

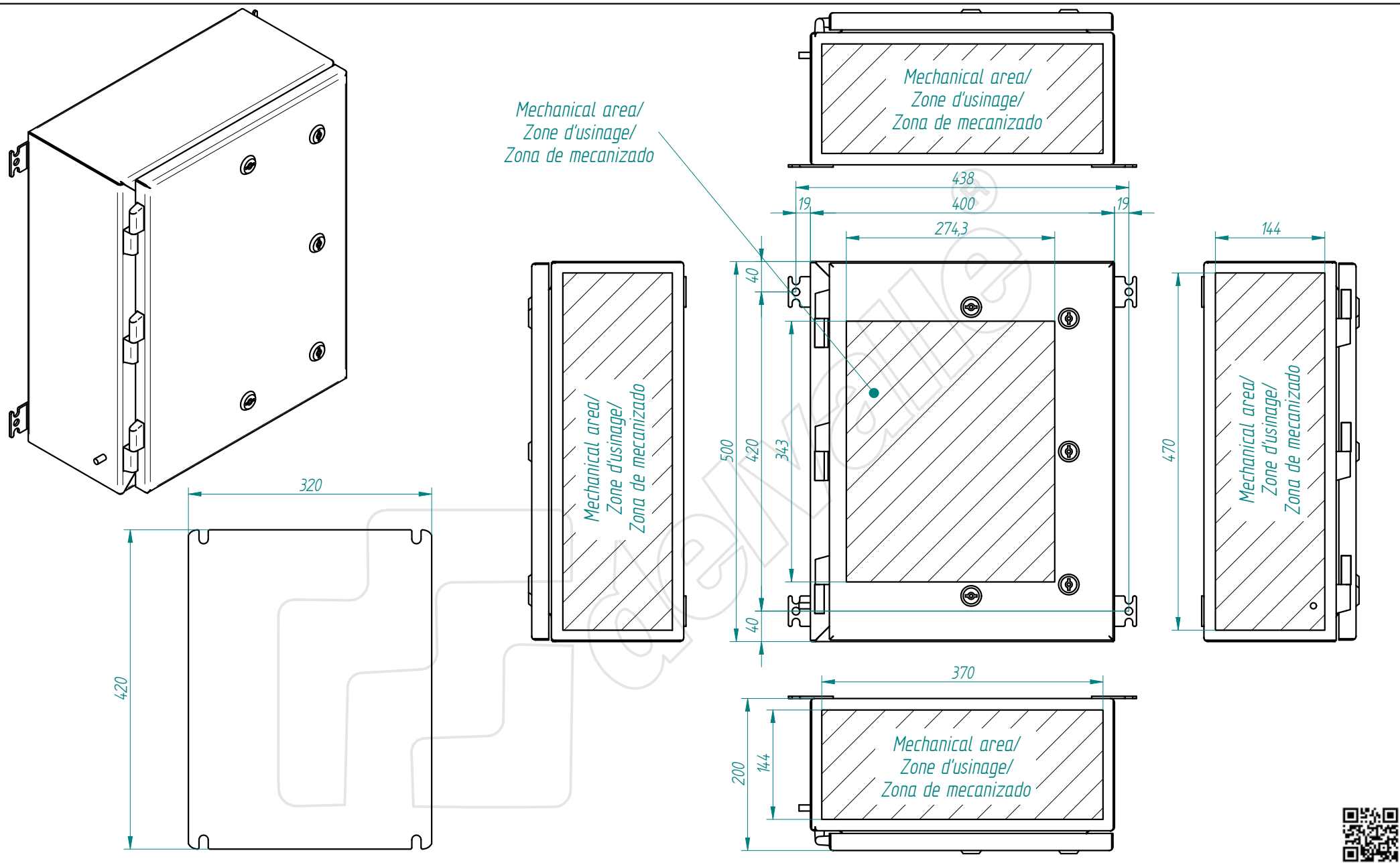



Mechanical area/
Zone d'usage/
Zona de mecanizado



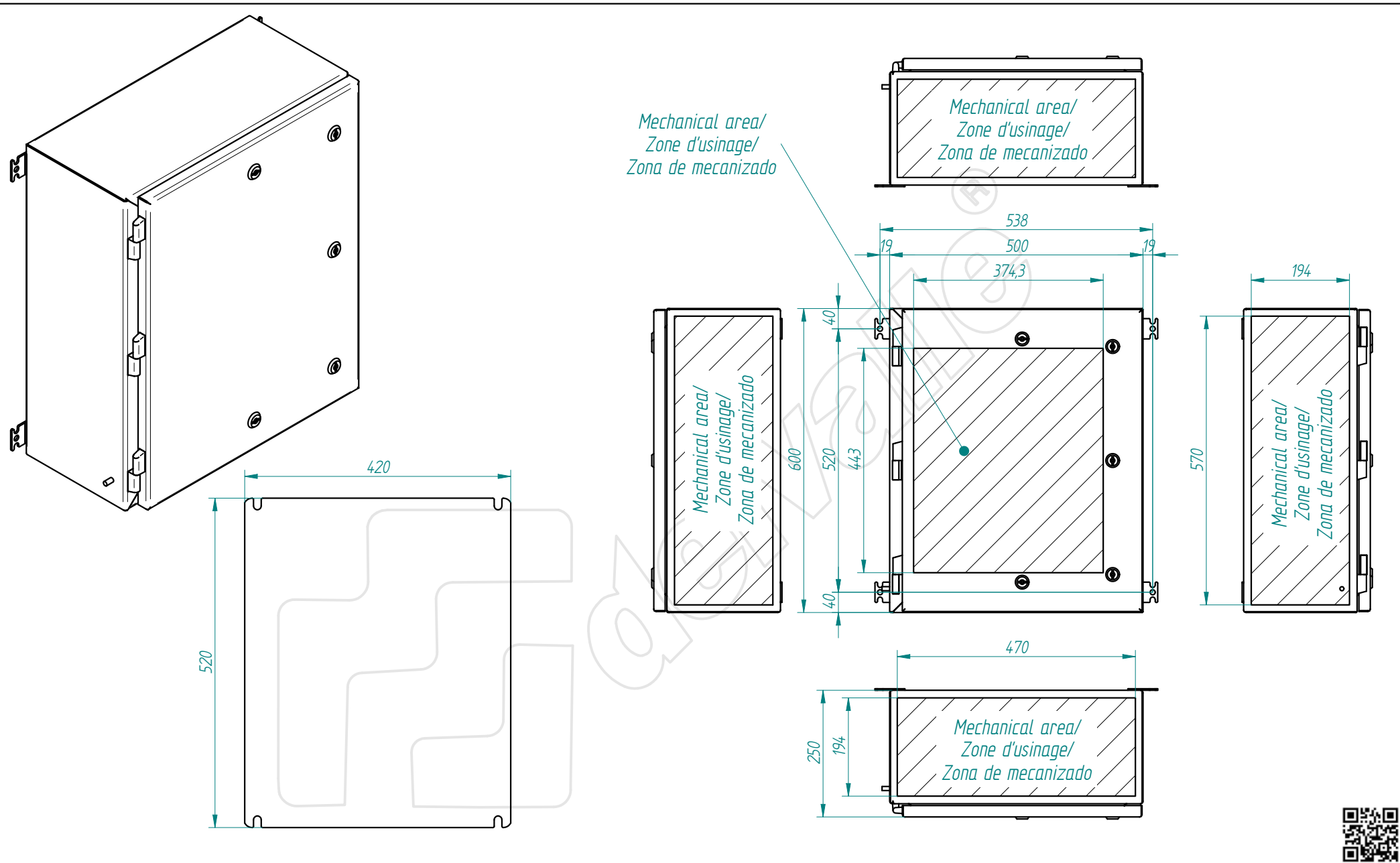
TOLERANCIA GENERAL DE MECANIZACION segun DIN 7168					Referencia: MVAB000000/67	DIBUJADO: 27/04/2015	FECHA: 27/04/2015	FIRMA: D.Martinez	 Nº PLANO: AB/67-00 a
	Creación del documento	27/04/2015	D.MTNEZ	A	- plegado: acabado:	APROBADO: 27/04/2015		D.Martinez	
	MODIFICACIONES	FECHA:	FIRMA:	REVISIÓN:		DESIGNACIÓN: luxorex 400x300x150 estandar			


This present document and its contents are confidential, and are the exclusive intellectual and / or industrial property of DEVALLE. In addition to any technology, design, invention, work, process, know-how, calculation, manual, method, solution, idea, improvement, drawing, diagram, modification, contribution and, in short, any associated information involving industrial or intellectual property developed or supplied by DEVALLE on the occasion of the quote, order execution or incorporated into the design or operation of the supply. The recipient may not use such property in his favour or in that of a third party for purposes other than the fulfilment of the order and the operation and maintenance of the supply, without the prior written consent of DEVALLE. It is strictly forbidden to totally or partially reproduce this document and to misuse it and / or to show it to third parties. The infringing parties shall be required to pay the corresponding compensation for damages, and any other legal or criminal responsibilities, the infringement may give rise to.



TOLERANCIA GENERAL DE MECANIZACION segun DIN 7168					Referencia: MVAB000000/67	DIBUJADO: 14/04/2015	FECHA: 14/04/2015	FIRMA: D.Martinez	 Nº PLANO: AB/67-00 a
	Creación del documento	14/04/2015	D.MTNEZ	A	- plegado: acabado.	APROBADO: 14/04/2015		D.Martinez	
	MODIFICACIONES	FECHA:	FIRMA:	REVISIÓN:		DESIGNACIÓN: luxorex 500x400x200 estandar			

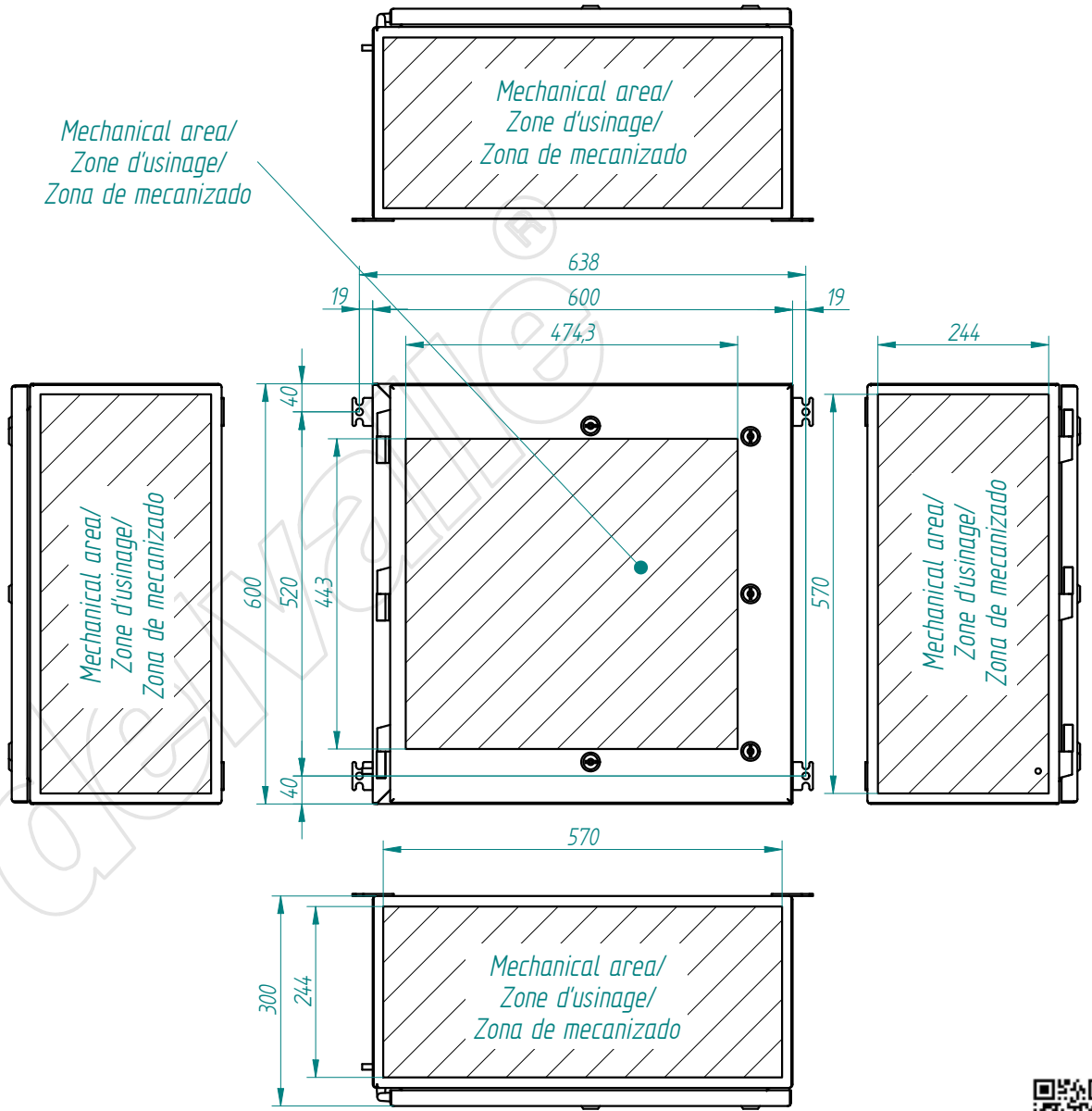
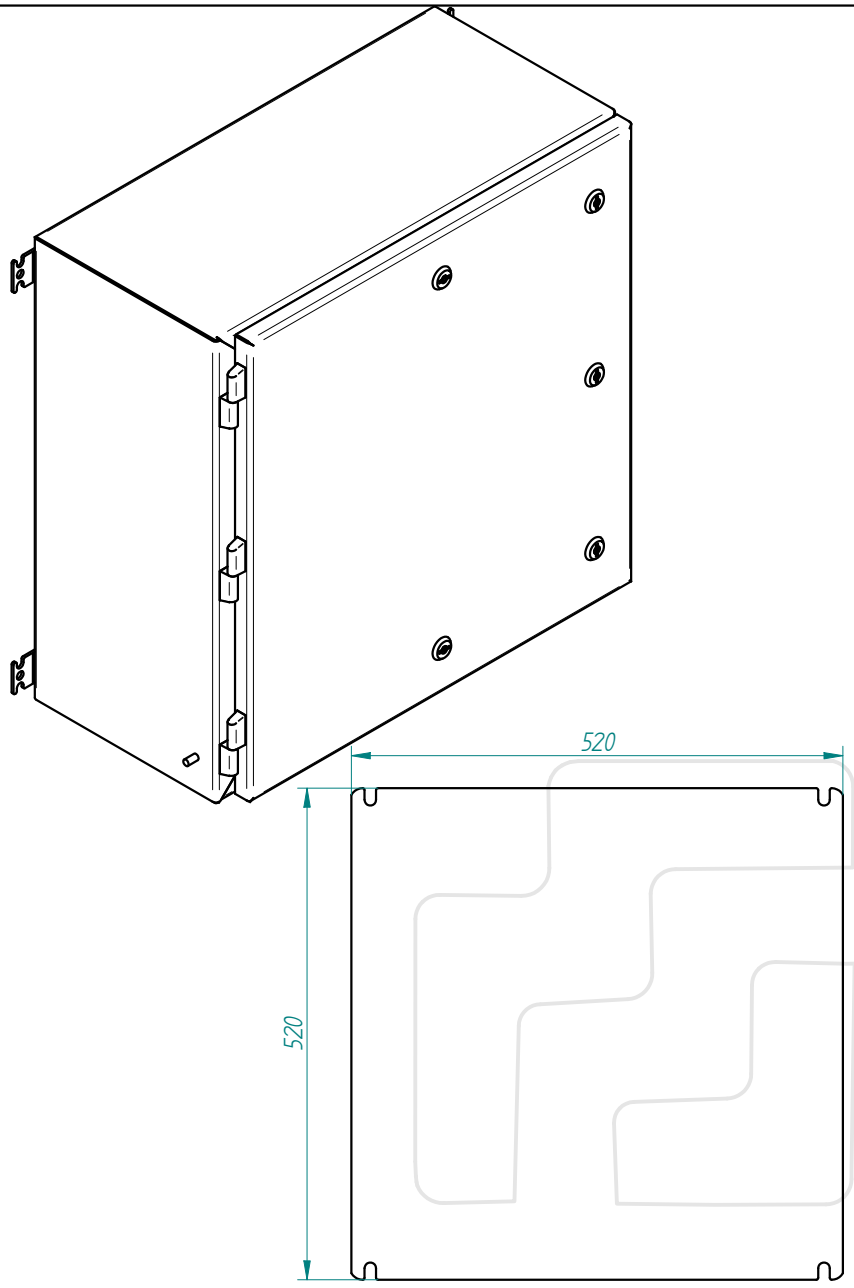
This present document and its contents are confidential, and are the exclusive intellectual and / or industrial property of DELVALLE. In addition to any technology, design, invention, work, process, know-how, calculation, manual, method, solution, idea, improvement, drawing, diagram, modification, contribution and, in short, any associated information involving industrial or intellectual property developed or supplied by DELVALLE on the occasion of the quote, order execution or incorporated into the design or operation of the supply. The recipient may not use such property in his favour or in that of a third party for purposes other than the fulfilment of the order and the operation and maintenance of the supply, without the prior written consent of DELVALLE. It is strictly forbidden to totally or partially reproduce this document and to misuse it and / or to show it to third parties. The infringing parties shall be required to pay the corresponding compensation for damages, and any other legal or criminal responsibility if the infringement may give rise to.




TOLERANCIA GENERAL DE MECANIZACION según DIN 7168	Creación del documento	14/04/2015	D.MTNEZ	A	Referencia: MVAB000000/67	DIBUJADO: 14/04/2015	FECHA: 14/04/2015	FIRMA: D.Martínez	
	MODIFICACIONES	FECHA:	FIRMA:	REVISIÓN:	- plegado: acabado:	DESIGNACIÓN: luxorex 600x500x250 estandar	Nº PLANO: AB/67-00 a		



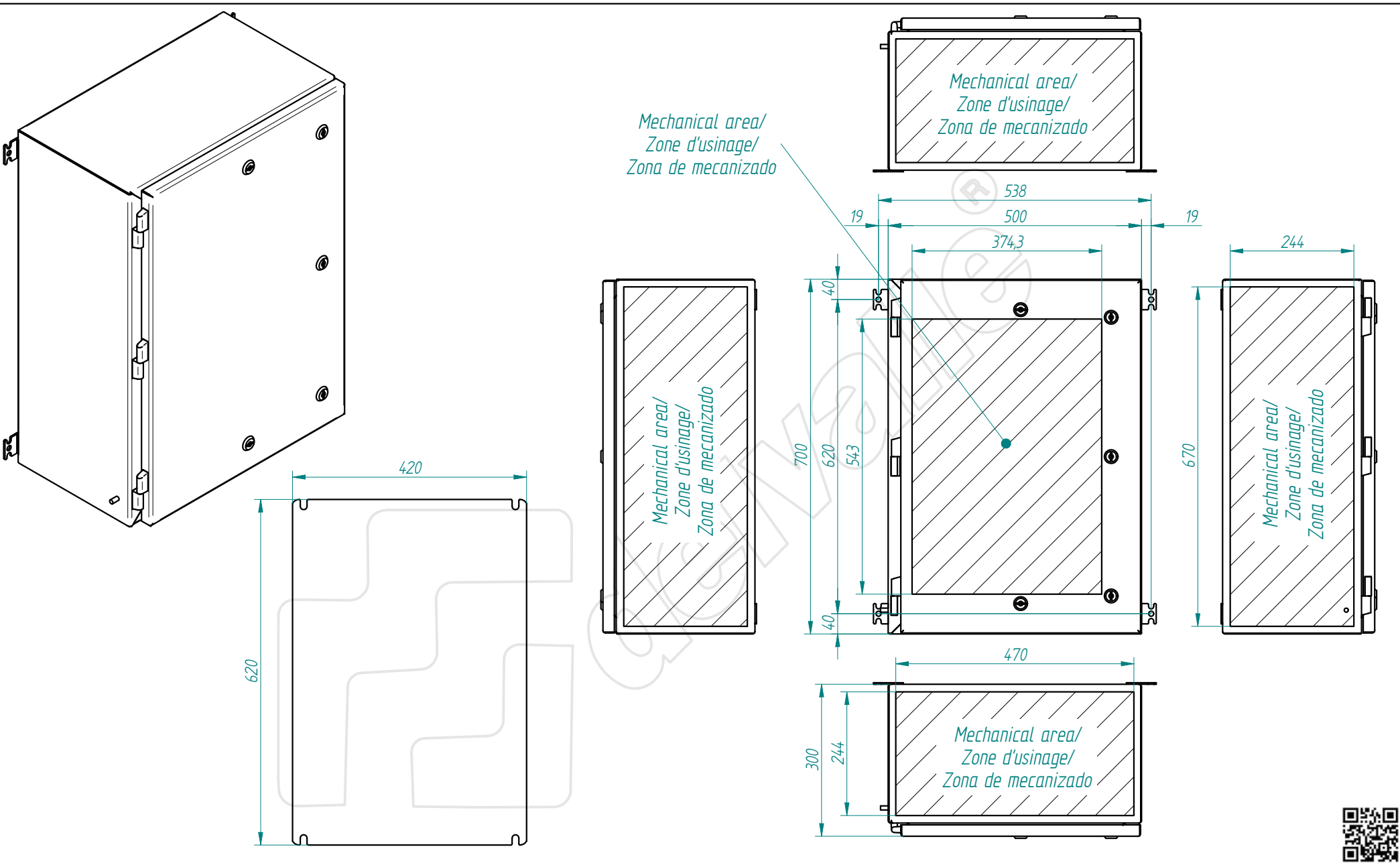
This present document and its contents are confidential, and are the exclusive intellectual and / or industrial property of DELVALLE... in addition to any technology, design, invention, work, process, know-how, calculation, manual, method, solution, idea, improvement, drawing, diagram, modification and, in short, any associated information involving industrial or intellectual property developed or supplied by DELVALLE on the occasion of the quote, order execution or incorporated into the design or operation of the supply. The recipient may not use such property in his favour or in that of a third party for purposes other than the fulfilment of the order and the operation and maintenance of the supply, without the prior written consent of DELVALLE. It is strictly forbidden to totally or partially reproduce this document and to misuse it and / or to show it to third parties. The infringing parties shall be required to pay the corresponding compensation for damages, and any other legal or criminal responsibility is the infringement may give rise to.




TOLERANCIA GENERAL DE MECANIZACION según DIN 7168	Creación del documento	15/04/2015	D.MTNEZ	A	Referencia: MVAB000000/67 - plegado: - acabado:	DIBUJADO:	15/04/2015	FIRMA: D.Martínez	 N° PLANO: AB/67-00 a
	MODIFICACIONES	FECHA:	FIRMA:	REVISIÓN:		APROBADO:	15/04/2015	D.Martínez	
DESIGNACIÓN: luxorex 600x600x300 estandar									

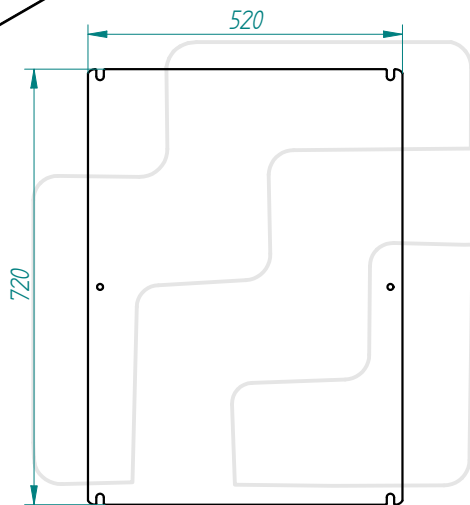
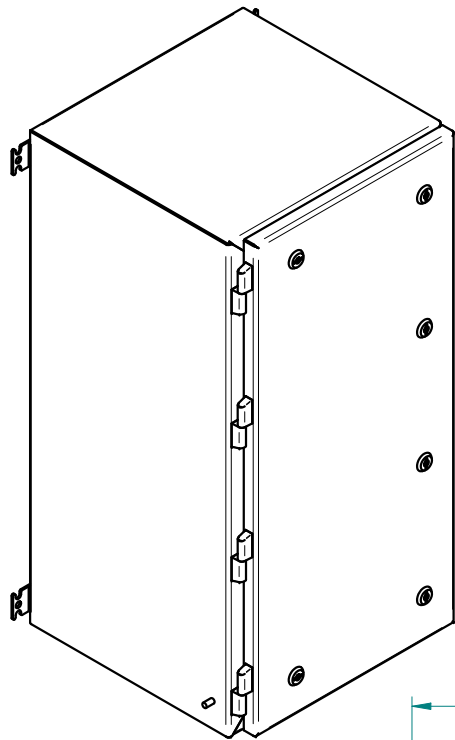


This present document and its contents are confidential, and are the exclusive intellectual and / or industrial property of DELVALLE. In addition to any technology, design, invention, work, process, know-how, calculation, manual, method, solution, idea, improvement, drawing, diagram, modification, contribution and, in short, any associated information or documentation involving industrial or intellectual property developed or supplied by DELVALLE on the occasion of the quote, order execution or incorporated into the design or operation of the supply. The recipient may not use such property in his favour or in that of a third party for purposes other than the fulfilment of the order and the operation and maintenance of the supply, without the prior written consent of DELVALLE. It is strictly forbidden to totally or partially reproduce this document and to misuse it and / or to show it to third parties. The infringing parties shall be required to pay the corresponding compensation for damages, and any other legal or criminal responsibility if the infringement may give rise to.

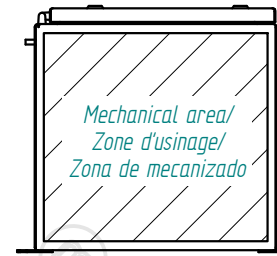


TOLERANCIA GENERAL DE MECANIZACION según DIN 7168	Creación del documento	15/04/2015	D.MTNEZ	A	Referencia: MVAB000000/67	DIBUJADO: 15/04/2015	FECHA: 15/04/2015	FIRMA: D.Martínez	
	MODIFICACIONES	FECHA:	FIRMA:	REVISIÓN:	- plegado: acabado:	DESIGNACIÓN: luxorex 700x500x300 estandar	Nº PLANO: AB/67-00 a		

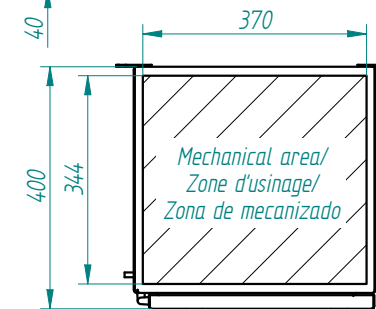
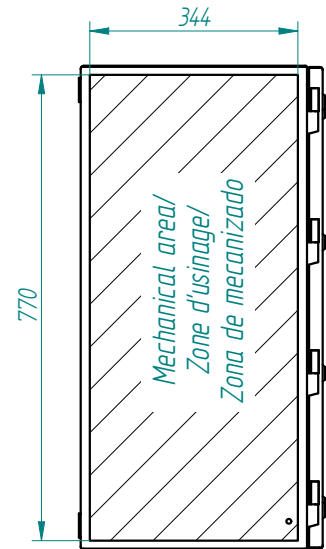
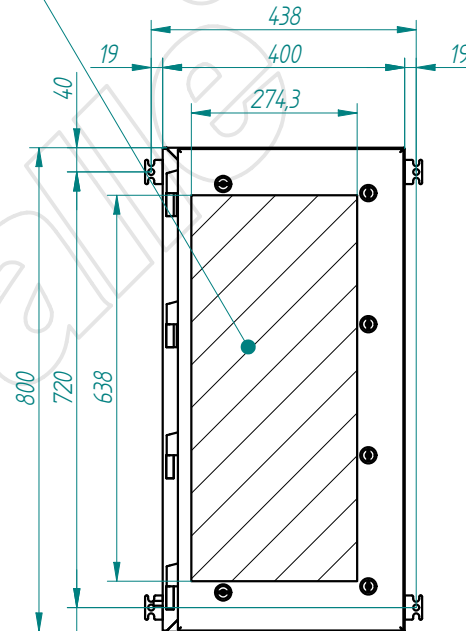
This present document and its contents are confidential, and are the exclusive intellectual and / or industrial property of DEVALLE. In addition to any technology, design, invention, work, process, know-how, calculation, manual, method, solution, idea, improvement, drawing, diagram, modification, contribution and, in short, any associated information involving industrial or intellectual property developed or supplied by DEVALLE on the occasion of the quote, order execution or incorporated into the design or operation of the supply. The recipient may not use such property in his favour or in that of a third party for purposes other than the fulfilment of the order and the operation and maintenance of the supply, without the prior written consent of DEVALLE. It is strictly forbidden to totally or partially reproduce this document and to misuse it and / or to show it to third parties. The infringing parties shall be required to pay the corresponding compensation for damages and any other legal or criminal responsibilities. The infringement may give rise to.



Mechanical area/
Zone d'usage/
Zona de mecanizado




Mechanical area/
Zone d'usage/
Zona de mecanizado

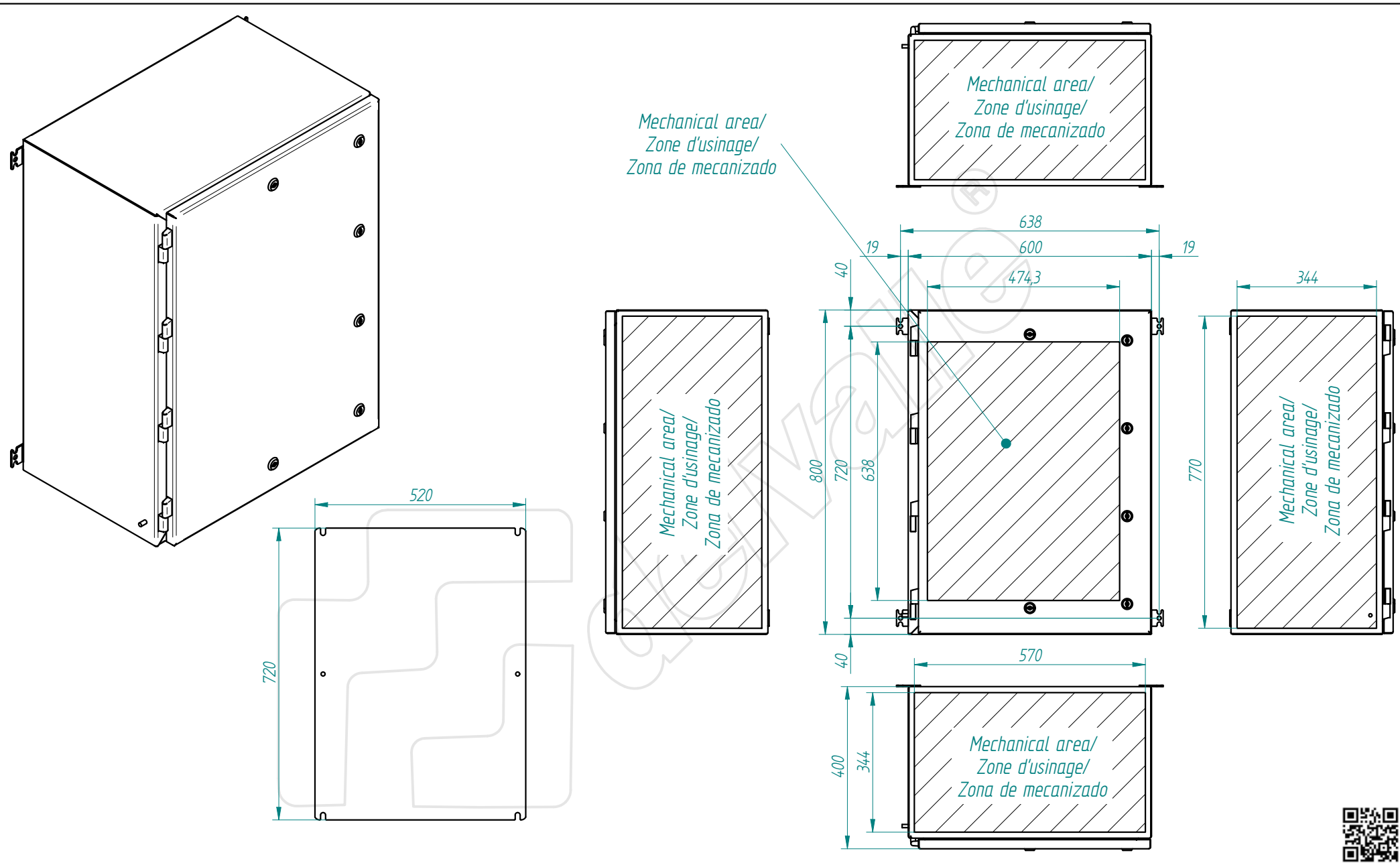



Mechanical area/
Zone d'usage/
Zona de mecanizado



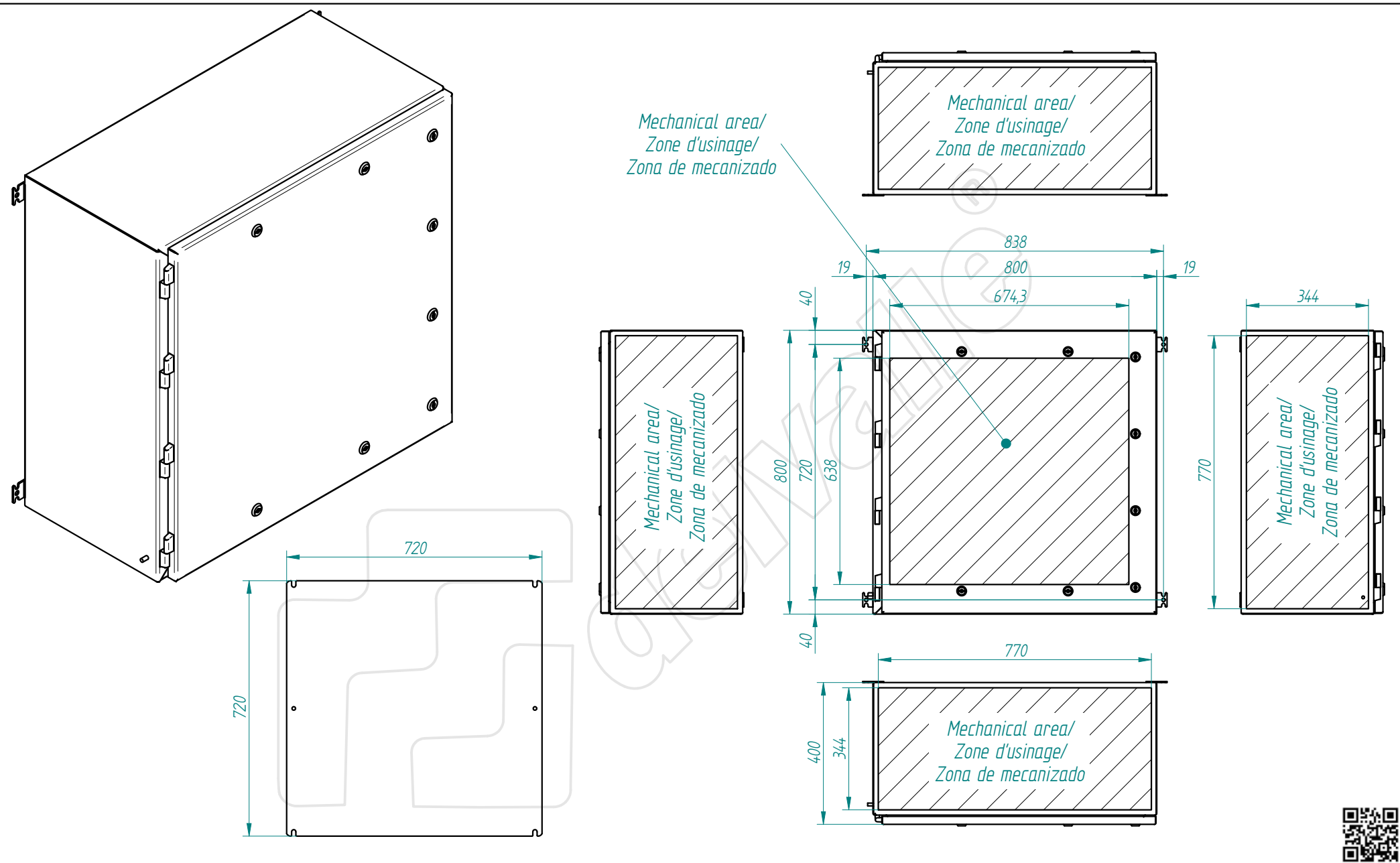
TOLERANCIA GENERAL DE MECANIZACION según DIN 7168	Creación del documento	27/04/2015	D.MTNEZ	A	Referencia: MVAB000000/67	DIBUJADO: 27/04/2015	FECHA: 27/04/2015	FIRMA: D.Martinez	 N° PLANO: AB/67-00 a
	MODIFICACIONES	FECHA:	FIRMA:	REVISIÓN:	- plegado: acabado:	APROBADO: 27/04/2015	DESIGNACIÓN: luxorex 800x400x400 estandar		

This present document and its contents are confidential, and are the exclusive intellectual and / or industrial property of DELVALLE. In addition to any technology, design, invention, work, process, know-how, calculation, manual, method, solution, idea, improvement, drawing, diagram, modification, contribution and, in short, any associated information involving industrial or intellectual property developed or supplied by DELVALLE on the occasion of the quote, order execution or incorporated into the design or operation of the supply. The recipient may not use such property in his favour or in that of a third party for purposes other than the fulfilment of the order and the operation and maintenance of the supply, without the prior written consent of DELVALLE. It is strictly forbidden to totally or partially reproduce this document and to misuse it and / or to show it to third parties. The infringing parties shall be required to pay the corresponding compensation for damages, and any other legal or criminal responsibilities, the infringement may give rise to.



TOLERANCIA GENERAL DE MECANIZACION según DIN 7168	Creación del documento	15/04/2015	D.MTNEZ	A	Referencia: MVAB000000/67	DIBUJADO: 15/04/2015	FECHA: 15/04/2015	FIRMA: D.Martínez	 N° PLANO: AB/67-00 a
	MODIFICACIONES	FECHA:	FIRMA:	REVISIÓN:	- plegado: acabado:	DESIGNACIÓN: luxorex 800x600x400 estandar			

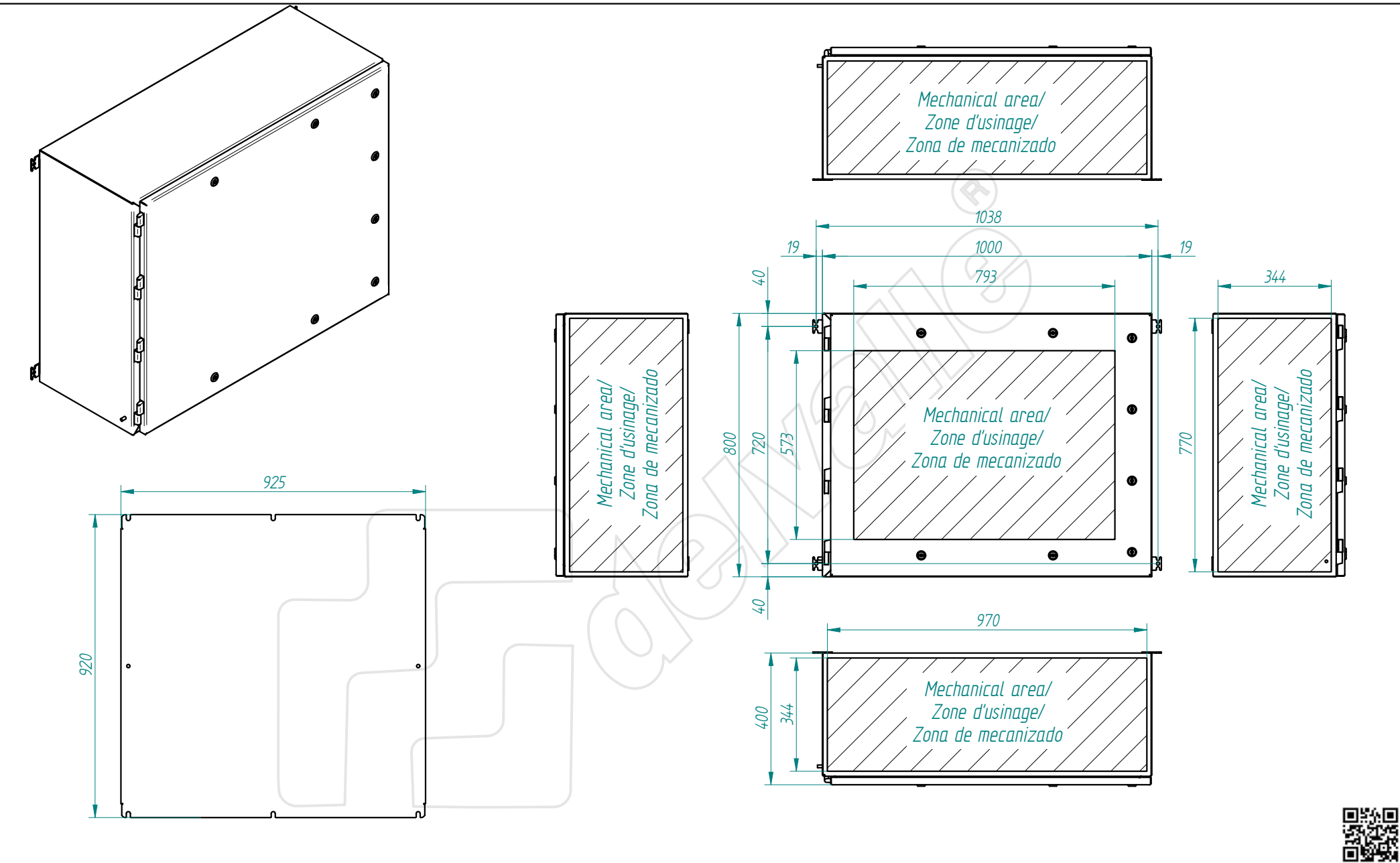
This present document and its contents are confidential, and are the exclusive intellectual and / or industrial property of DELVALLE. In addition to any technology, design, invention, work, process, know-how, calculation, manual, method, solution, idea, improvement, drawing, diagram, modification, contribution and, in short, any associated information or documentation involving industrial or intellectual property developed or supplied by DELVALLE on the occasion of the quote, order execution or incorporated into the design or operation of the supply. The recipient may not use such property in his favour or in that of a third party for purposes other than the fulfilment of the order and the operation and maintenance of the supply, without the prior written consent of DELVALLE. It is strictly forbidden to totally or partially reproduce this document and to misuse it and / or to show it to third parties. The infringing parties shall be required to pay the corresponding compensation for damages, and any other legal or criminal responsibility if the infringement may give rise to.




TOLERANCIA GENERAL DE MECANIZACION según DIN 7168					Referencia:			
					MVAB000000/67			
	Creación del documento	15/04/2015	D.MTNEZ	A	-	DESIGNACIÓN:		Nº PLANO:
	MODIFICACIONES	FECHA:	FIRMA:	REVISIÓN:	plegado: acabado:	luxorex 800x800x400 estandar		AB/67-00 a



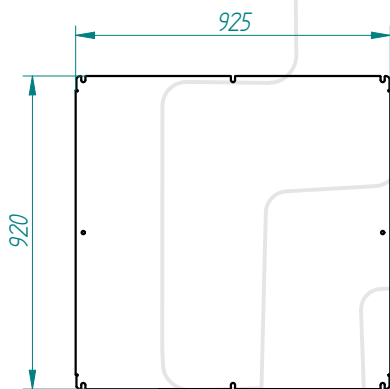
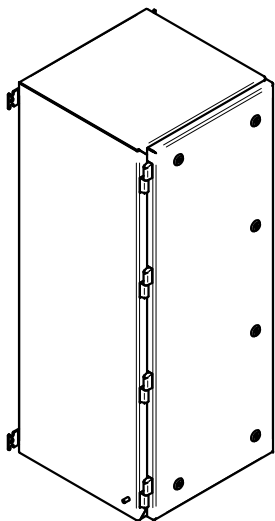
This present document and its contents are confidential, and are the exclusive intellectual and / or industrial property of DELVALLE. In addition to any technology, design, invention, work, process, know-how, calculation, manual, method, solution, idea, improvement, drawing, diagram, modification, contribution and, in short, any associated information or documentation involving industrial or intellectual property developed or supplied by DELVALLE on the occasion of the quote, order execution or incorporated into the design or operation of the supply. The recipient may not use such property in his favour or in that of a third party for purposes other than the fulfilment of the order and the operation and maintenance of the supply, without the prior written consent of DELVALLE. It is strictly forbidden to totally or partially reproduce this document and to misuse it and / or to show it to third parties. The infringing parties shall be required to pay the corresponding compensation for damages, and any other legal or criminal responsibility is the infringement may give rise to.



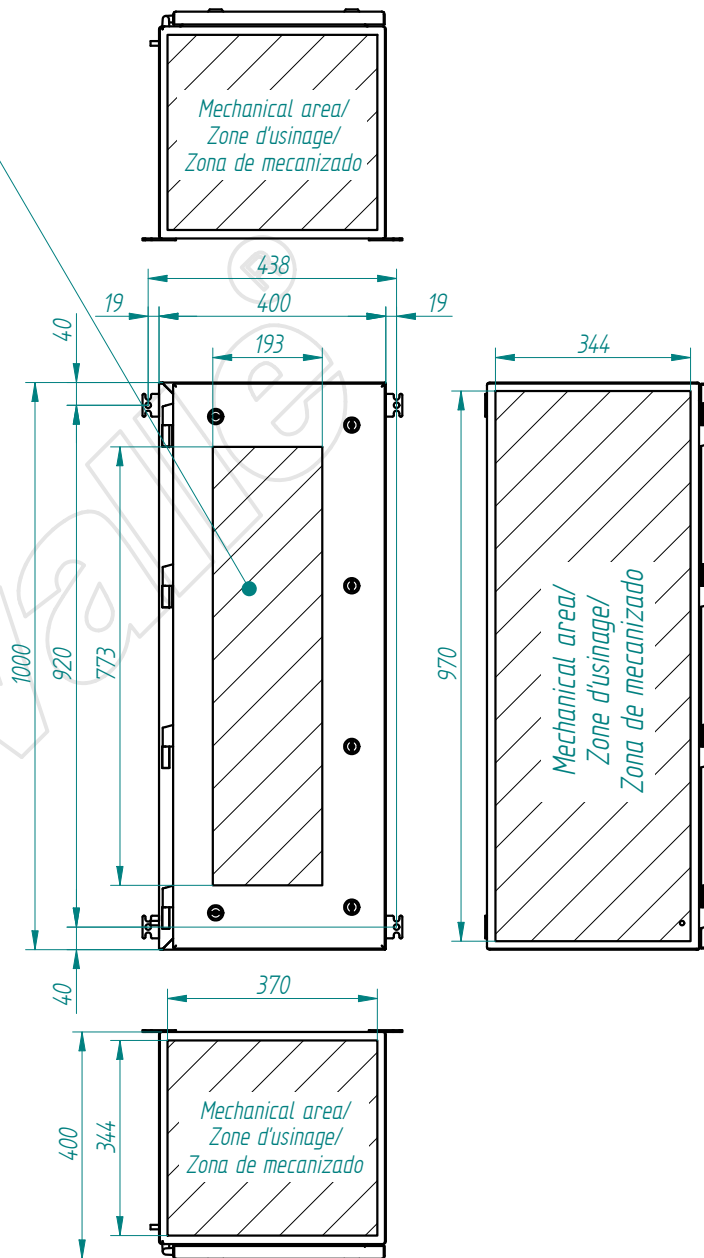
TOLERANCIA GENERAL DE MECANIZACION según DIN 7168	Creación del documento	27/04/2015	D.MTNEZ	A	Referencia: MVAB000000/67 - plegado: acabado:	DIBUJADO: 27/04/2015	FECHA: 27/04/2015	FIRMA: D.Martinez	 N° PLANO: AB/67-00 a
	MODIFICACIONES	FECHA:	FIRMA:	REVISIÓN:		DESIGNACIÓN: luxorex 800x1000x400 estandar			




This present document and its contents are confidential, and are the exclusive intellectual and / or industrial property of DELVALLE. In addition to any technology, design, invention, work, process, know-how, calculation, manual, method, solution, idea, improvement, drawing, diagram, modification, contribution and, in short, any associated information or documentation involving industrial or intellectual property developed or supplied by DELVALLE on the occasion of the quote, order execution or incorporated into the design or operation of the supply. The recipient may not use such property in his favour or in that of a third party for purposes other than the fulfilment of the order and the operation and maintenance of the supply, without the prior written consent of DELVALLE. It is strictly forbidden to totally or partially reproduce this document and to misuse it and / or to show it to third parties. The infringing parties shall be required to pay the corresponding compensation for damages, and any other legal or criminal responsibility is the infringer's sole responsibility.

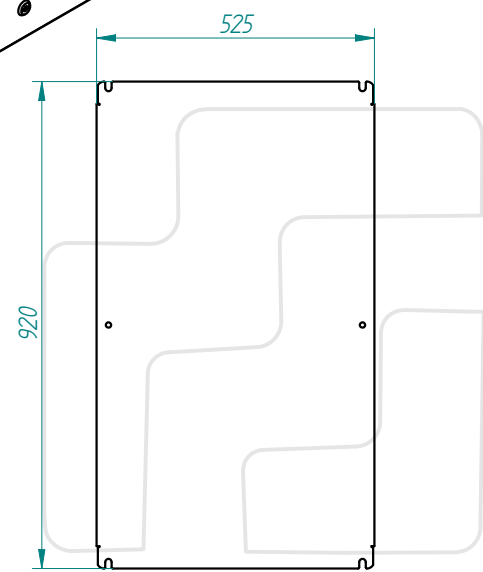
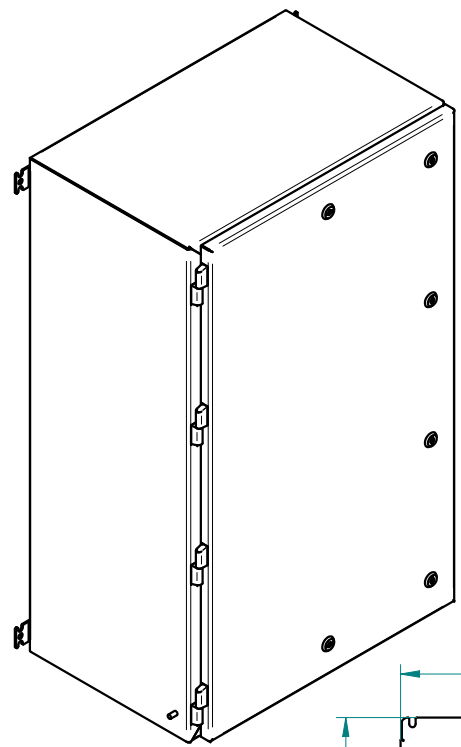


Mechanical area/
Zone d'usinage/
Zona de mecanizado

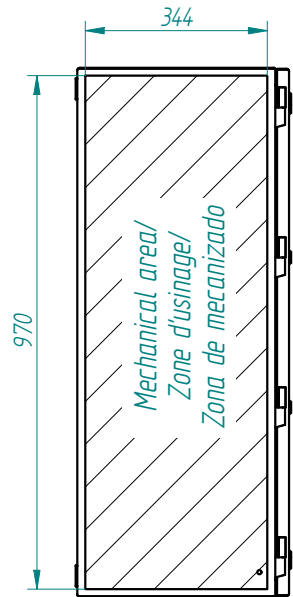
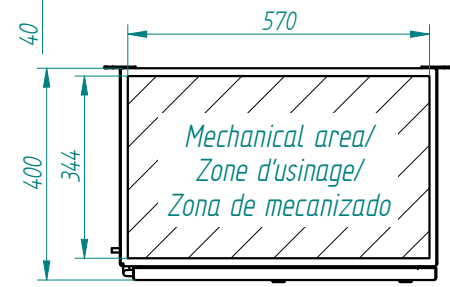
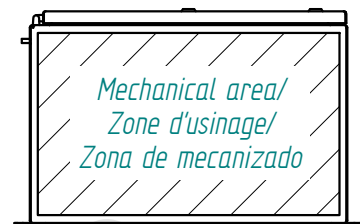
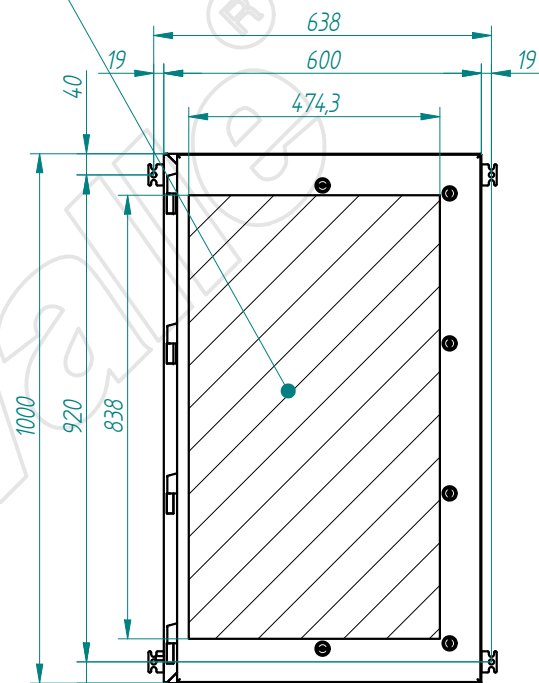


TOLERANCIA GENERAL DE MECANIZACION segun DIN 7168					Referencia: MVAB000000/67	DIBUJADO: 27/04/2015	FECHA: 27/04/2015	FIRMA: D.Martinez	 N° PLANO: AB/67-00 a
	Creación del documento	27/04/2015	D.MTNEZ	A	- plegado: acabado.	APROBADO: 27/04/2015		D.Martinez	
	MODIFICACIONES	FECHA:	FIRMA:	REVISIÓN:		DESIGNACIÓN: luxorex 1000x400x400 estandar			

This present document and its contents are confidential, and are the exclusive intellectual and / or industrial property of DEVALLE. In addition to any technology, design, invention, work, process, know-how, calculation, manual, method, solution, idea, improvement, drawing, diagram, modification, contribution and, in short, any associated information involving industrial or intellectual property developed or supplied by DEVALLE on the occasion of the quote, order execution or incorporated into the design or operation of the supply. The recipient may not use such property in his favour or in that of a third party for purposes other than the fulfilment of the order and the operation and maintenance of the supply, without the prior written consent of DEVALLE. It is strictly forbidden to totally or partially reproduce this document and to misuse it and / or to show it to third parties. The infringing parties shall be required to pay the corresponding compensation for damages, and any other legal or criminal responsibility is the infringement may give rise to.



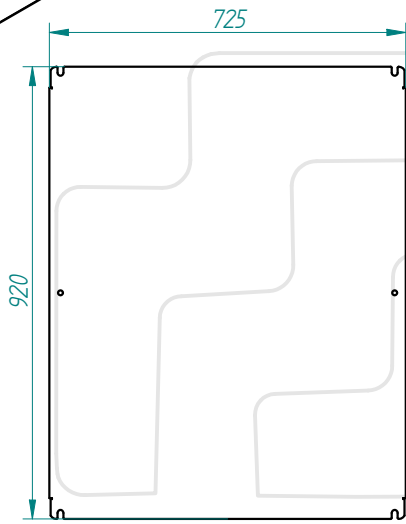
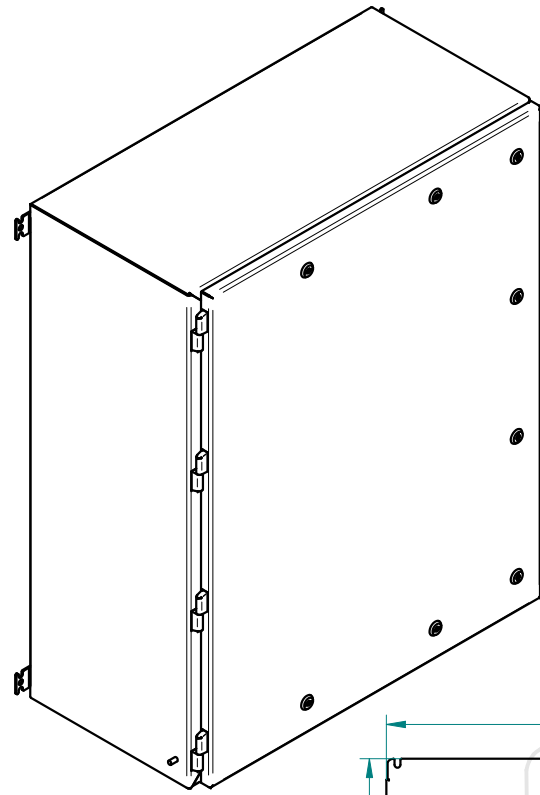
Mechanical area/
Zone d'usinage/
Zona de mecanizado



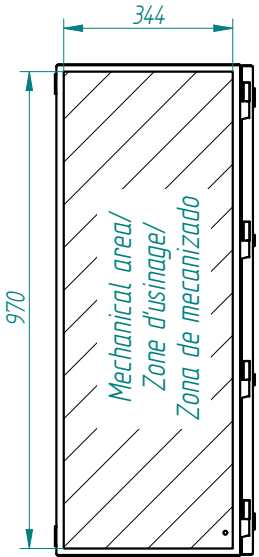
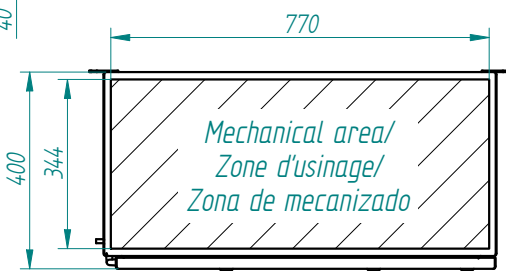
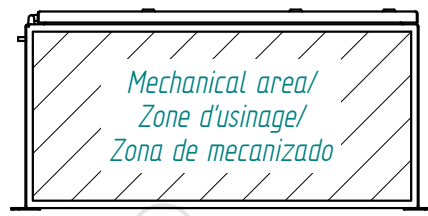
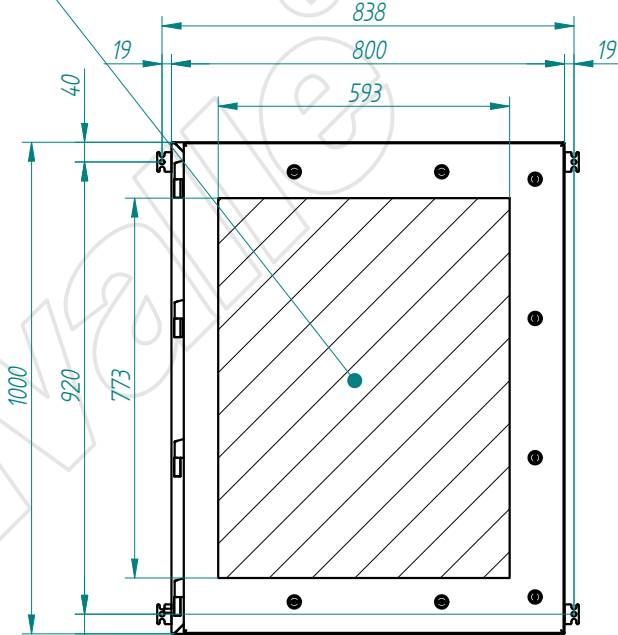
TOLERANCIA GENERAL DE MECANIZACION según DIN 7168					Referencia: MVAB000000/67	DIBUJADO: 15/04/2015	FECHA: 15/04/2015	FIRMA: D.Martínez
	Creación del documento	15/04/2015	D.MTNEZ	A	-	APROBADO: 15/04/2015		D.Martínez
	MODIFICACIONES	FECHA:	FIRMA:	REVISIÓN:	plegado: acabado:	DESIGNACIÓN: luxorex 1000x600x400 estandar		Nº PLANO: AB/67-00 a



This present document and its contents are confidential, and are the exclusive intellectual and / or industrial property of DELVALLE. In addition to any technology, design, invention, work, process, know-how, calculation, manual, method, solution, idea, improvement, drawing, diagram, modification and, in short, any associated information or documentation involving industrial or intellectual property developed or supplied by DELVALLE on the occasion of the quote, order execution or incorporated into the design or operation of the supply. The recipient may not use such property in his favour or in that of a third party for purposes other than the fulfilment of the order and the operation and maintenance of the supply, without the prior written consent of DELVALLE. It is strictly forbidden to totally or partially reproduce this document and to misuse it and / or to show it to third parties. The infringing parties shall be required to pay the corresponding compensation for damages, and any other legal or criminal responsibility if the infringement may give rise to.

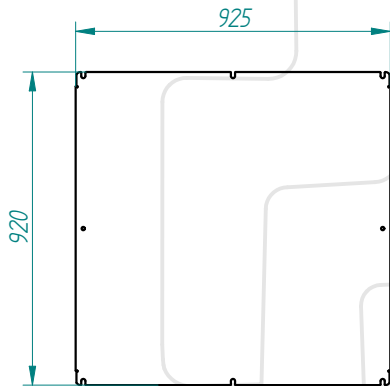
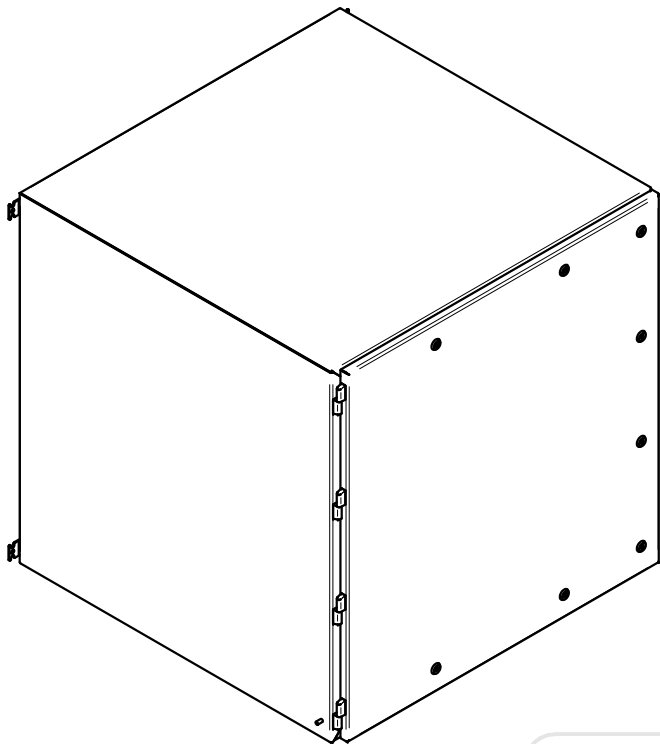


Mechanical area/
Zone d'usinage/
Zona de mecanizado

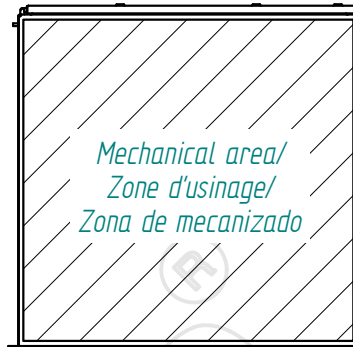


TOLERANCIA GENERAL DE MECANIZACION segun DIN 7168	Creación del documento	15/04/2015	D.MTNEZ	A	Referencia: MVAB000000/67 - plegado: acabado:	DIBUJADO:	15/04/2015	FIRMA:	D.Martinez	
	MODIFICACIONES	FECHA:	FIRMA:	REVISIÓN:		APROBADO:	15/04/2015	D.Martinez	DESIGNACIÓN:	
						luxorex 1000x800x400 estandar			AB/67-00 a	

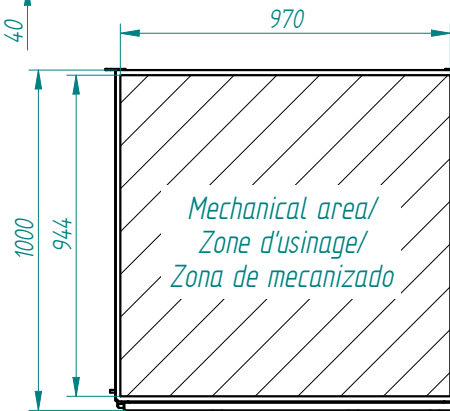
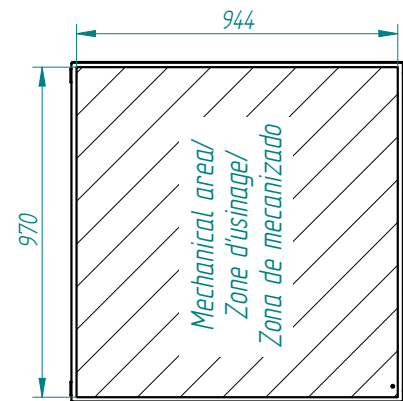
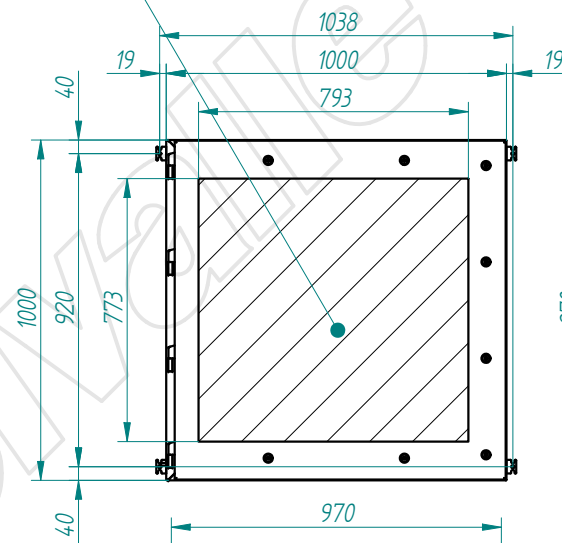
This present document and its contents are confidential, and are the exclusive intellectual and / or industrial property of DELVALLE . in addition to any technology, design, invention, work, process, know-how, calculation, manual, method, solution, idea, improvement, drawing, diagram, modification, contribution and, in short, any associated information involving industrial or intellectual property developed or supplied by DELVALLE on the occasion of the quote, order execution or incorporated into the design or operation of the supply. The recipient may not use such property in his favour or in that of a third party for purposes other than the fulfilment of the order and the operation and maintenance of the supply, without the prior written consent of DELVALLE. It is strictly forbidden to totally or partially reproduce this document and to misuse it and / or to show it to third parties. The infringing parties shall be required to pay the corresponding compensation for damages and any other legal or criminal responsibility. The infringement may give rise to.



Mechanical area/
Zone d'usinage/
Zona de mecanizado




Mechanical area/
Zone d'usinage/
Zona de mecanizado

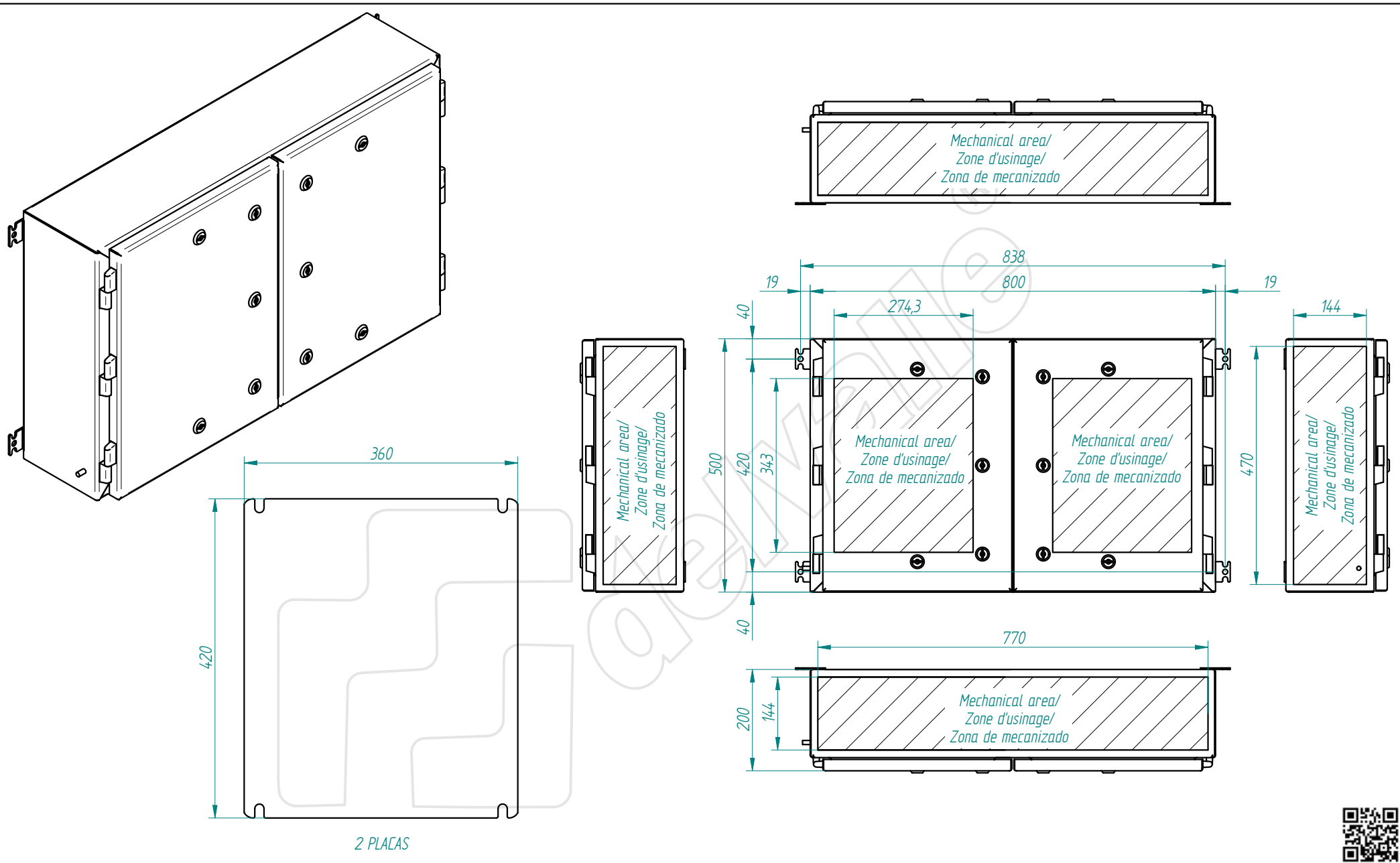


Mechanical area/
Zone d'usinage/
Zona de mecanizado



TOLERANCIA GENERAL DE MECANIZACION segun DIN 7168					Referencia: MVAB000000/67	DIBUJADO: 15/04/2015	FECHA: 15/04/2015	FIRMA: D.Martinez	 N° PLANO: AB/67-00 a
	Creación del documento	15/04/2015	D.MTNEZ	A	- plegado: acabado.	APROBADO: 15/04/2015		D.Martinez	
	MODIFICACIONES	FECHA:	FIRMA:	REVISIÓN:		DESIGNACIÓN: luxorex 1000x1000x1000 estandar			

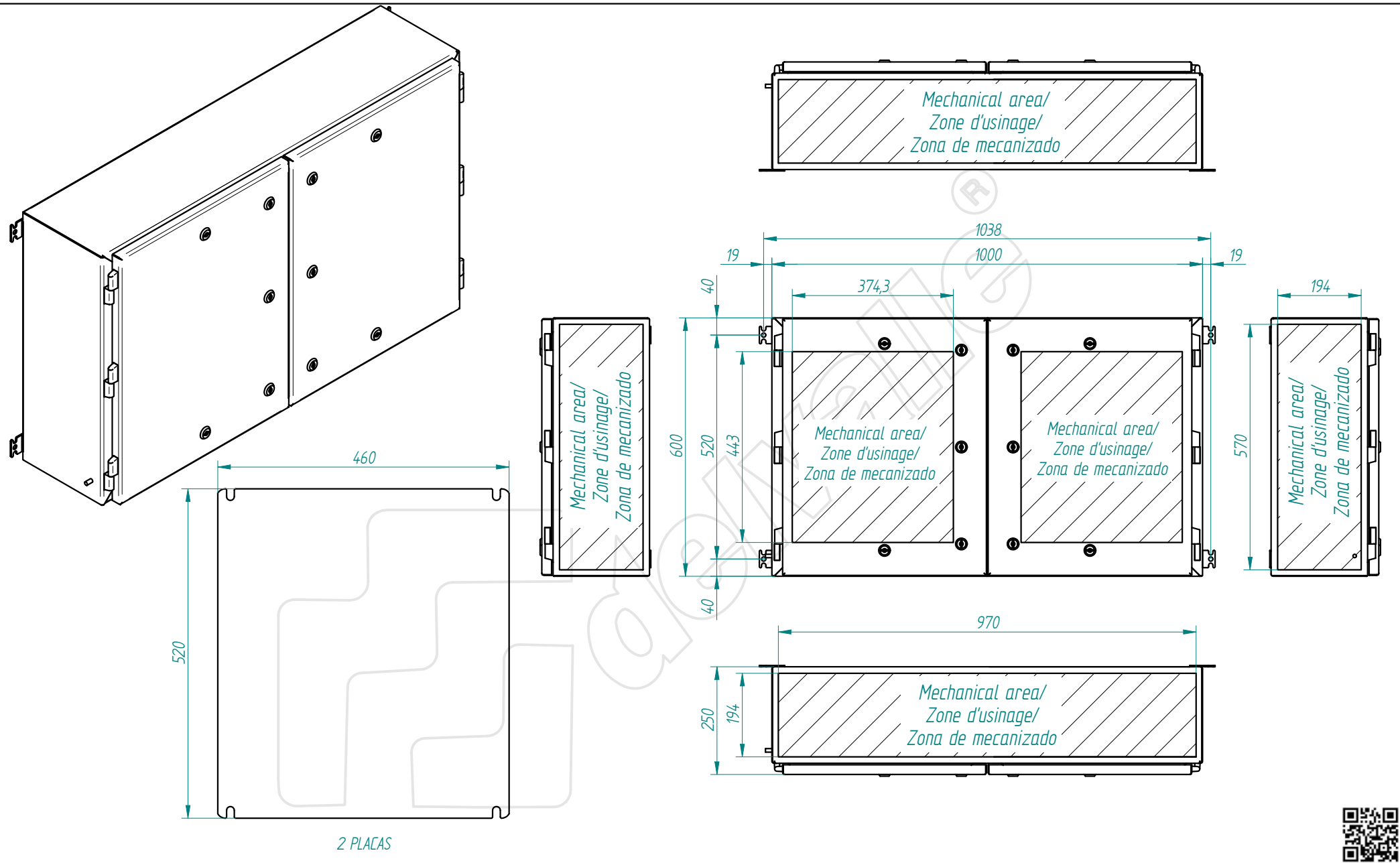
This present document and its contents are confidential, and are the exclusive intellectual and / or industrial property of DEVALLE. In addition to any technology, design, invention, work, process, know-how, calculation, manual, method, solution, idea, improvement, drawing, diagram, modification, contribution and, in short, any associated information or documentation involving industrial or intellectual property developed or supplied by DEVALLE on the occasion of the quote, order execution or incorporated into the design or operation of the supply. The recipient may not use such property in his favour or in that of a third party for purposes other than the fulfilment of the order and the operation and maintenance of the supply, without the prior written consent of DEVALLE. It is strictly forbidden to totally or partially reproduce this document and to misuse it or to show it to third parties. The infringing parties shall be required to pay the corresponding compensation for damages, and any other legal or criminal responsibilities. The infringement may give rise to.




TOLERANCIA GENERAL DE MECANIZACION según DIN 7168	Creación del documento	28/04/2015	D.MTNEZ	A	Referencia: MVAB000000/67 - plegado: - acabado:	DIBUJADO:	28/04/2015	FIRMA: D.Martínez
	MODIFICACIONES	FECHA:	FIRMA:	REVISIÓN:		APROBADO:	28/04/2015	D.Martínez
DESIGNACIÓN: luxorex 2p-500x800x200 estandar						Nº PLANO: AB/67-00 a		

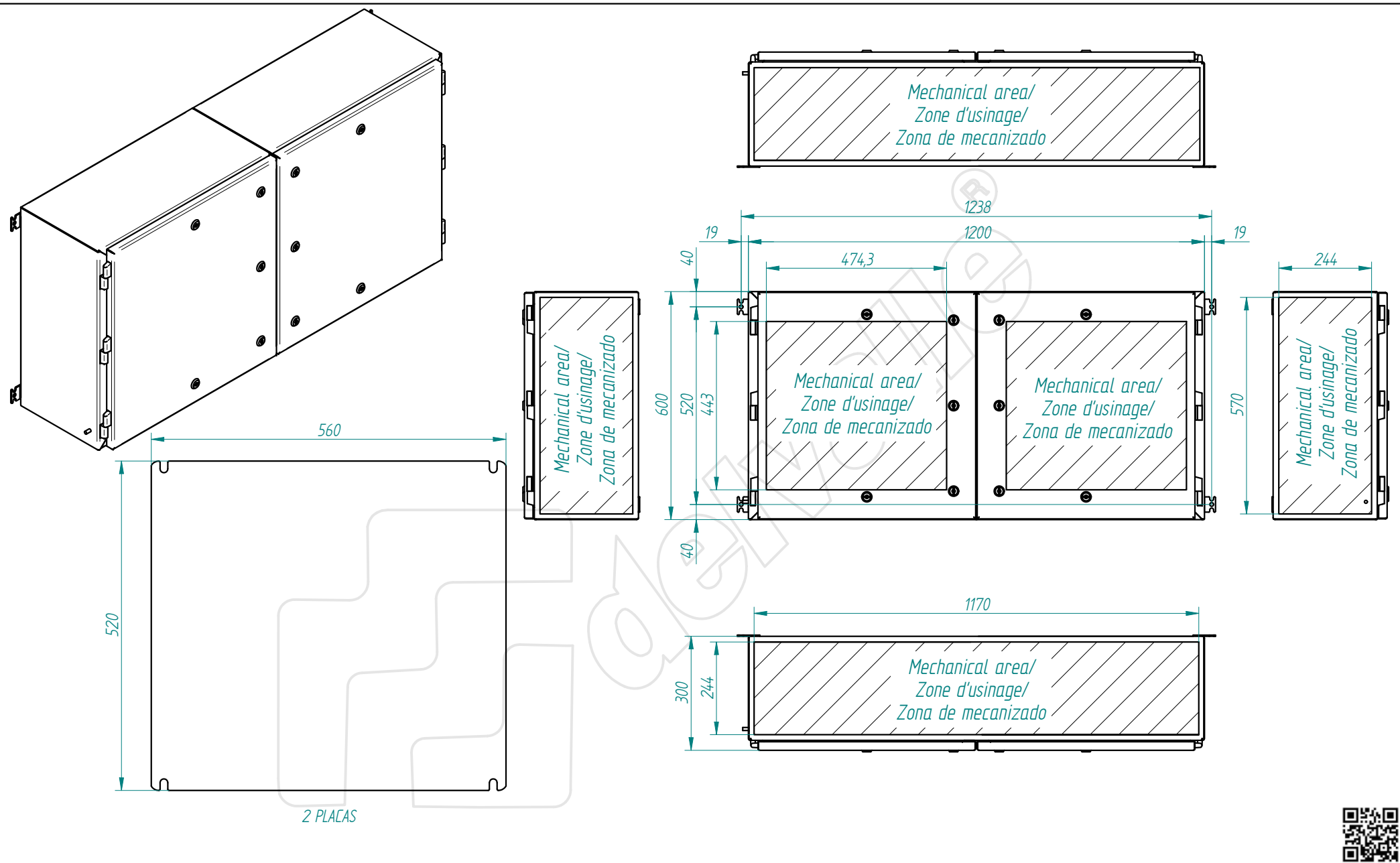


This present document and its contents are confidential, and are the exclusive intellectual and / or industrial property of DELVALLE. In addition to any technology, design, invention, work, process, know-how, calculation, manual, improvement, drawing, modification, contribution and, in short, any associated information or documentation involving industrial or intellectual property developed or supplied by DELVALLE on the occasion of the quote, order execution or incorporated into the design or operation of the supply. The recipient may not use such property in his favour or in that of a third party for purposes other than the fulfilment of the order and the operation and maintenance of the supply, without the prior written consent of DELVALLE. It is strictly forbidden to totally or partially reproduce this document and to misuse it or to show it to third parties. The infringing parties shall be required to pay the corresponding compensation for damages, and any other legal or criminal responsibility is the infringement may give rise to.



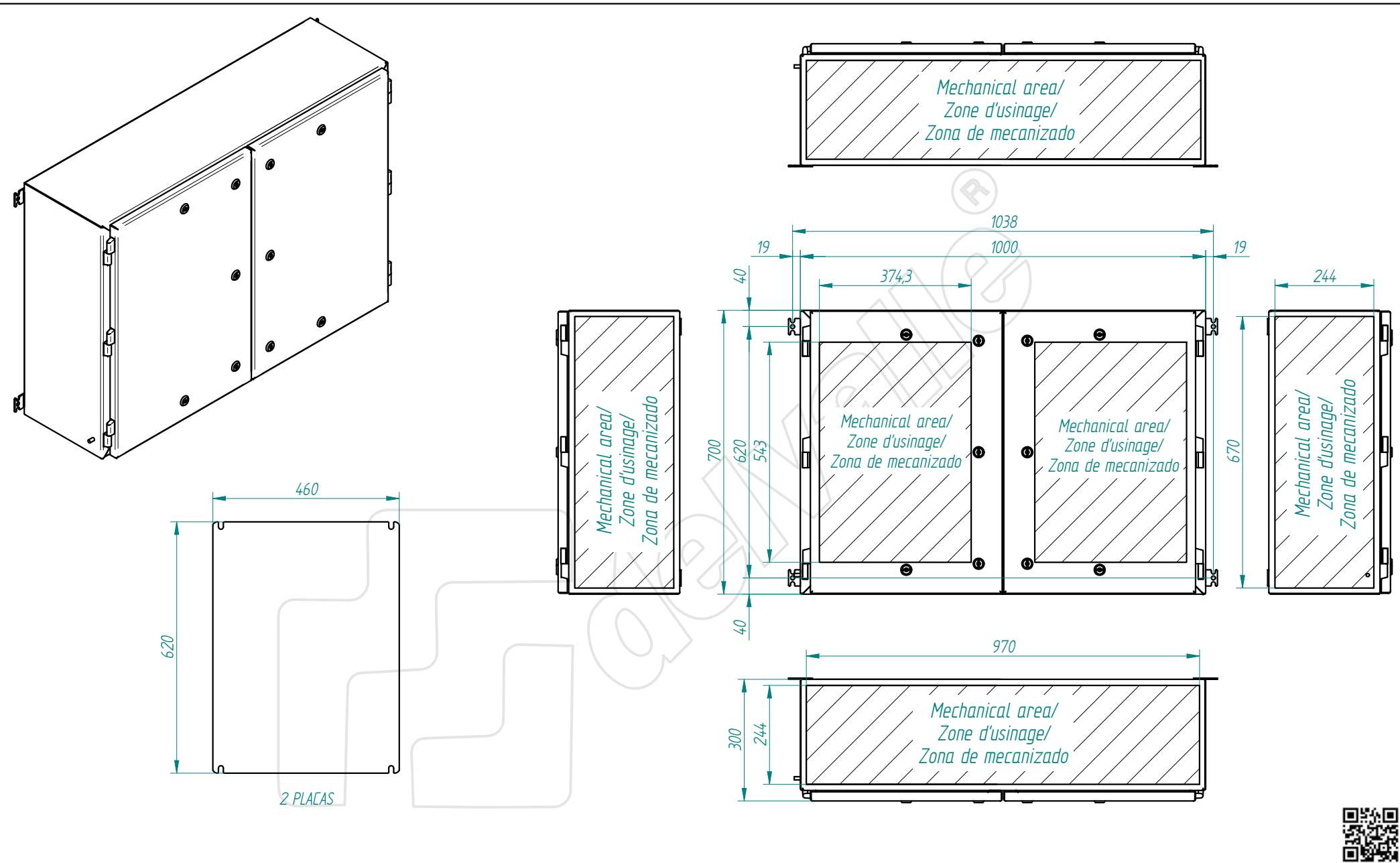
TOLERANCIA GENERAL DE MECANIZACION según DIN 7168	Creación del documento	28/04/2015	D.MTNEZ	A	Referencia: MVAB000000/67 - plegado: - acabado:	DIBUJADO: 28/04/2015	FECHA: 28/04/2015	FIRMA: D.Martinez	 Nº PLANO: AB/67-00 a
	MODIFICACIONES	FECHA:	FIRMA:	REVISIÓN:		DESIGNACIÓN: luxorex 2p-600x1000x250 estandar			


This present document and its contents are confidential, and are the exclusive intellectual and / or industrial property of DEVALLE. In addition to any technology, design, invention, work, process, know-how, calculation, manual, method, solution, idea, improvement, drawing, diagram, modification, contribution and, in short, any associated information involving industrial or intellectual property developed or supplied by DEVALLE on the occasion of the quote, order execution or incorporated into the design or operation of the supply. The recipient may not use such property in his favour or in that of a third party for purposes other than the fulfilment of the order and the operation and maintenance of the supply, without the prior written consent of DEVALLE. It is strictly forbidden to totally or partially reproduce this document and to misuse it and / or to show it to third parties. The infringing parties shall be required to pay the corresponding compensation for damages, and any other legal or criminal responsibilities if the infringement may give rise to.



TOLERANCIA GENERAL DE MECANIZACION segun DIN 7168					Referencia:					
					MVAB000000/67	DIBUJADO:	28/04/2015	FIRMA:	D.Martinez	
						APROBADO:	28/04/2015	FIRMA:	D.Martinez	
Creación del documento		28/04/2015	D.MTNEZ	A	-	DESIGNACIÓN:			Nº PLANO:	
MODIFICACIONES		FECHA:	FIRMA:	REVISIÓN:	plegado: acabado:	luxorex 2p-600x1200x300 estandar			AB/67-00 a	

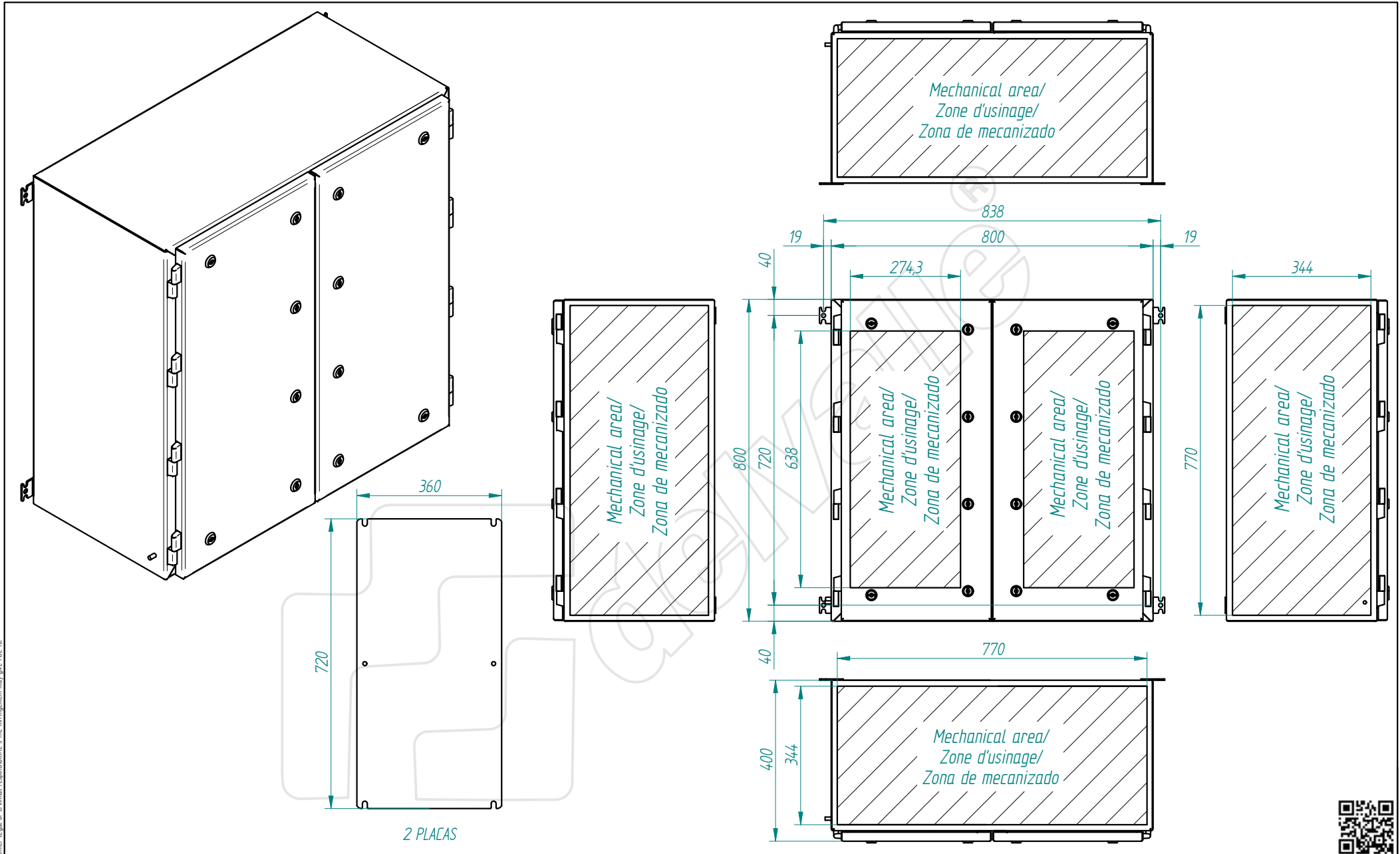
This present document and its contents are confidential, and are the exclusive intellectual and / or industrial property of DEVALLE. In addition to any technology, design, invention, work, process, know-how, calculation, manual, method, solution, idea, improvement, drawing, diagram, modification and, in short, any associated information involving industrial or intellectual property developed or supplied by DEVALLE on the occasion of the quote, order execution or incorporated into the design or operation of the supply. The recipient may not use such property in his favour or in that of a third party for purposes other than the fulfilment of the order and the operation and maintenance of the supply, without the prior written consent of DEVALLE. It is strictly forbidden to totally or partially reproduce this document and to misuse it and / or to show it to third parties. The infringing parties shall be required to pay the corresponding compensation for damages and any other legal or criminal responsibility. The infringement may give rise to.




TOLERANCIA GENERAL DE MECANIZACION según DIN 7168	Creación del documento	28/04/2015	D.MTNEZ	A	Referencia: MVAB000000/67 - plegado: - acabado:	DIBUJADO:	28/04/2015	FIRMA:	D.Martínez	 Nº PLANO: AB/67-00 a
	MODIFICACIONES	FECHA:	FIRMA:	REVISIÓN:		APROBADO:	28/04/2015	D.Martínez		
	DESIGNACIÓN: luxorex 2p-700x1000x300 estandar									

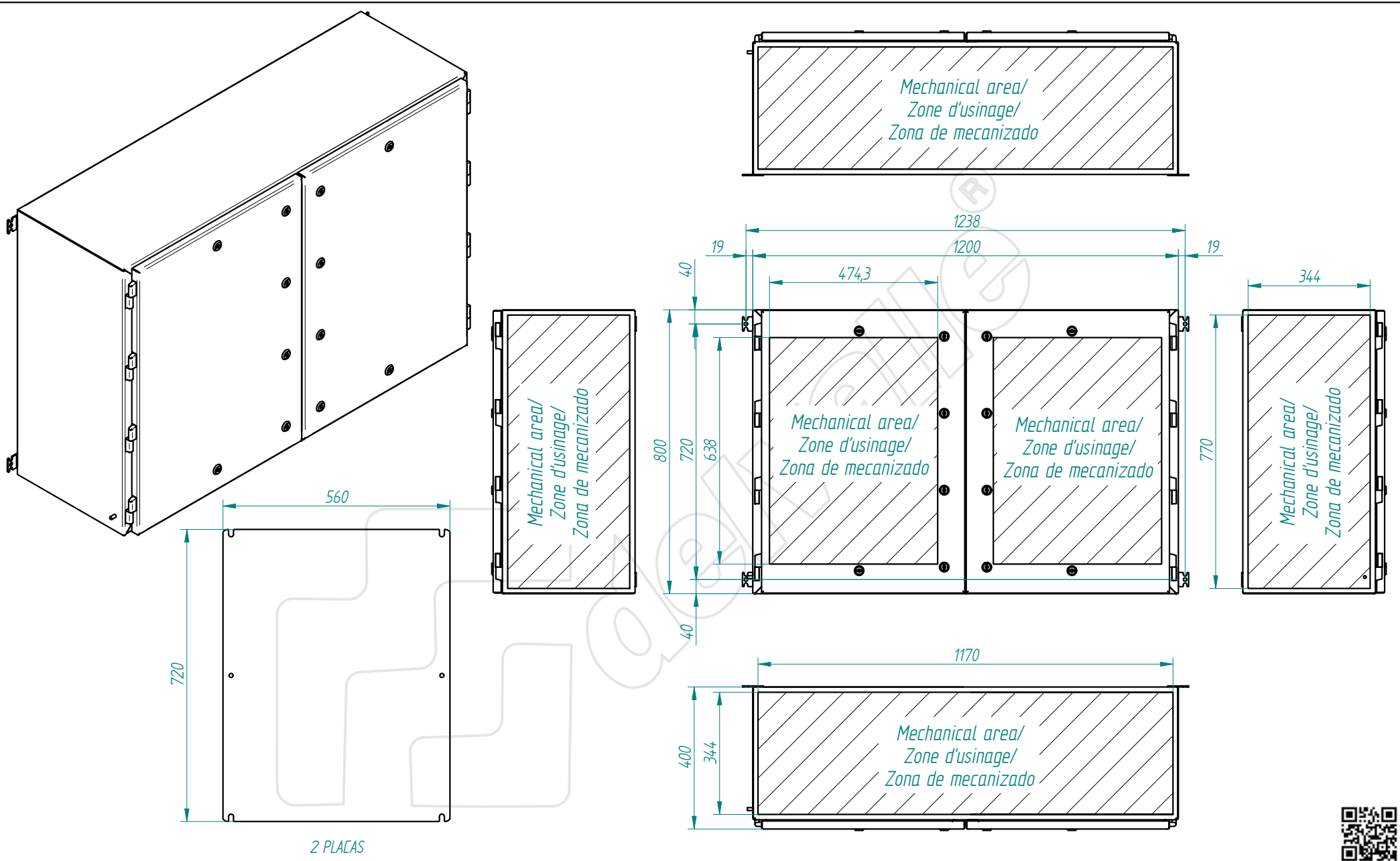


This present document and its contents are confidential, and are the exclusive intellectual and / or industrial property of DELVALLE ., in addition to any technology, design, invention, work, process, know-how, calculation, manual, method, solution, idea, improvement, drawing, diagram, modification, contribution and, in short, any associated information involving industrial or intellectual property developed or supplied by DELVALLE on the occasion of the quote, order execution or incorporated into the design or operation of the supply. The recipient may not use such property in his favour or in that of a third party for purposes other than the fulfilment of the order and the operation and maintenance of the supply, without the prior written consent of DELVALLE. It is strictly forbidden to totally or partially reproduce this document and to misuse it and / or to show it to third parties. The infringing parties shall be required to pay the corresponding compensation for damages, and any other legal or criminal, responsible and the infringement may give rise to.



TOLERANCIA GENERAL DE MECANIZACION segun DIN 7168					Referencia:		FECHA:	FIRMA:		
					MVAB000000/67		28/04/2015	D.Martinez		Nº PLANO:
							28/04/2015	D.Martinez		
	Creación del documento	28/04/2015	D.MTNEZ	A	- plegado: acabado.	DESIGNACIÓN: luxorex 2p-800x800x400 estandar			AB/67-00 a	
	MODIFICACIONES	FECHA:	FIRMA:	REVISIÓN:						

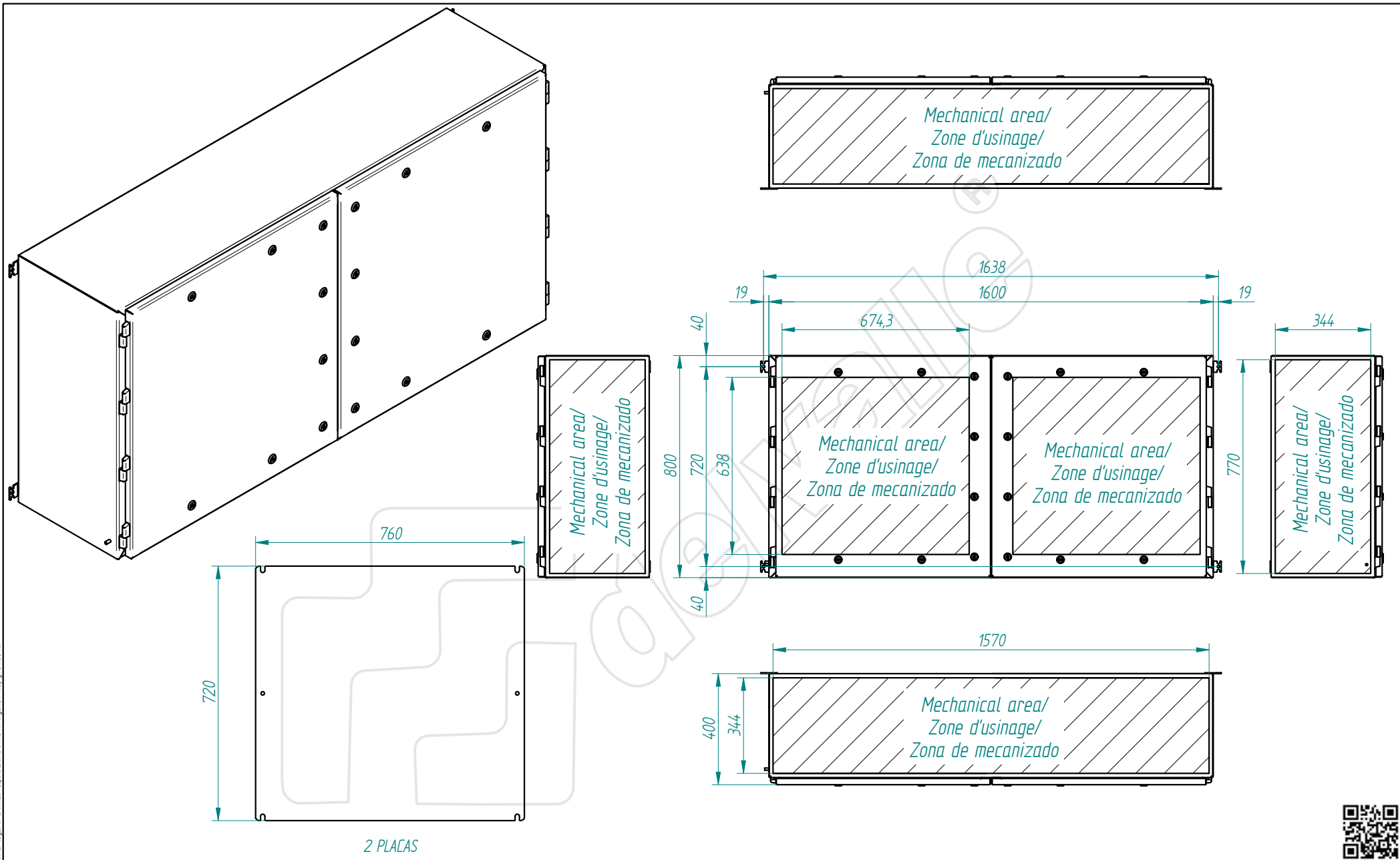
This present document and its contents are confidential, and are the exclusive intellectual and / or industrial property of DELVALLE. In addition to any technology, design, invention, work, process, know-how, calculation, manual, improvement, drawing, modification, contribution and, in short, any associated information or documentation involving industrial or intellectual property developed or supplied by DELVALLE on the occasion of the quote, order execution or incorporated into the design or operation of the supply. The recipient may not use such property in his favour or in that of a third party for purposes other than the fulfilment of the order and the operation and maintenance of the supply, without the prior written consent of DELVALLE. It is strictly forbidden to totally or partially reproduce this document and to misuse it and / or to show it to third parties. The infringing parties shall be required to pay the corresponding compensation for damages, and any other legal or criminal responsibilities that the infringement may give rise to.



TOLERANCIA GENERAL DE MECANIZACION según DIN 7168					Referencia: MVAB000000/67	DIBUJADO: 28/04/2015	FECHA: 28/04/2015	FIRMA: D.Martínez
						APROBADO: 28/04/2015	FECHA: 28/04/2015	FIRMA: D.Martínez
		Creación del documento	28/04/2015	D.MTNEZ	A	- plegado: acabado.	DESIGNACIÓN: luxorex 2p-800x1200x400 estandar	
		MODIFICACIONES	FECHA:	FIRMA:	REVISIÓN:		Nº PLANO: AB/67-00 a	



This present document and its contents are confidential, and are the exclusive intellectual and / or industrial property of DELVALLE. In addition to any technology, design, invention, work, process, know-how, calculation, manual, method, solution, idea, improvement, drawing, diagram, modification, contribution and, in short, any associated information or documentation involving industrial or intellectual property developed or supplied by DELVALLE on the occasion of the quote, order execution or incorporated into the design or operation of the supply. The recipient may not use such property in his favour or in that of a third party for purposes other than the fulfilment of the order and the operation and maintenance of the supply, without the prior written consent of DELVALLE. It is strictly forbidden to totally or partially reproduce this document and to misuse it and / or to show it to third parties. The infringing parties shall be required to pay the corresponding compensation for damages, and any other legal or criminal responsibility is the infringement may give rise to.

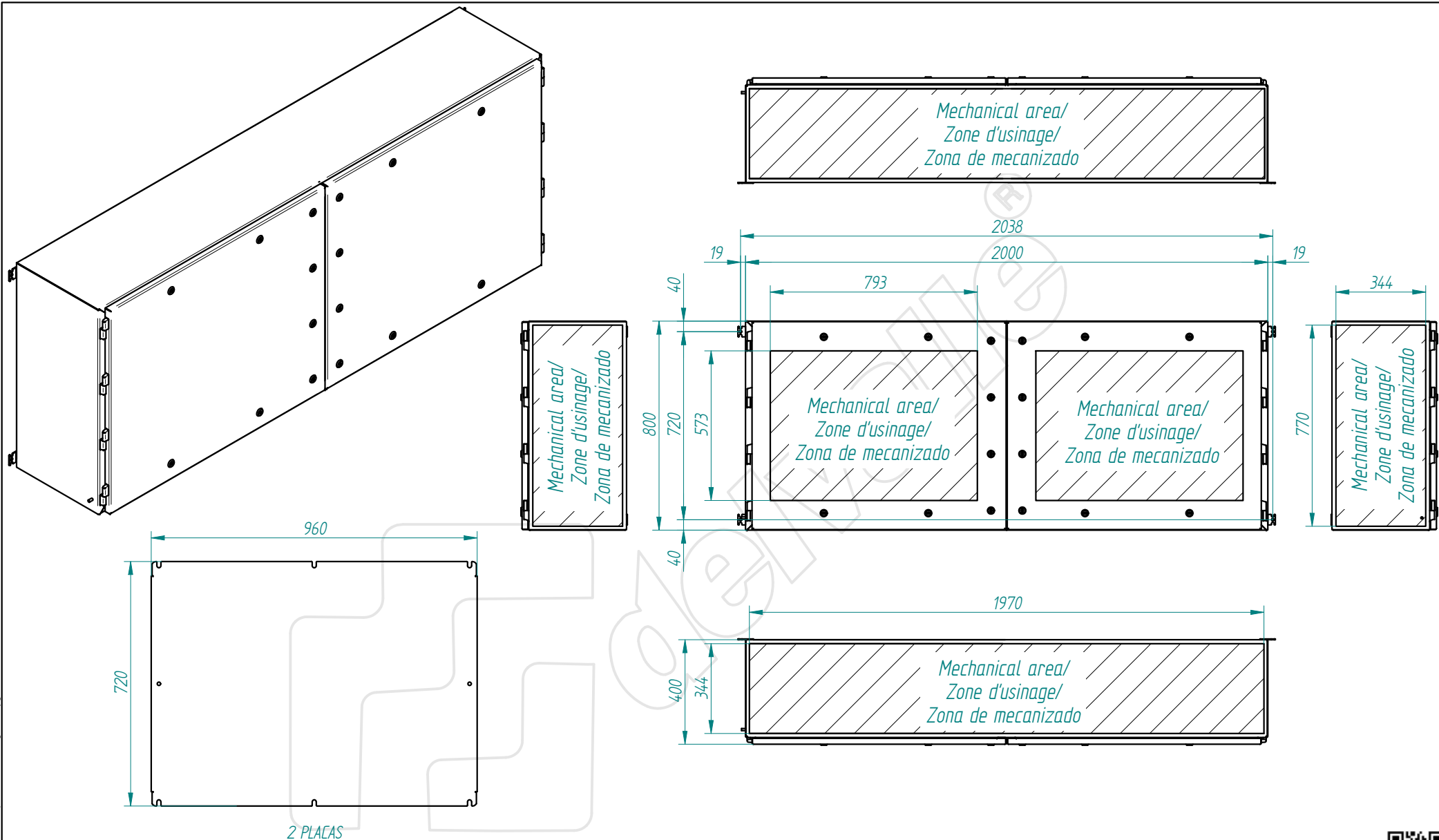


2 PLACAS

TOLERANCIA GENERAL DE MECANIZACION según DIN 7168					Referencia:				
					MVAB000000/67	DIBUJADO:	28/04/2015	FIRMA:	D.Martínez
						APROBADO:	28/04/2015		D.Martínez
	Creación del documento	28/04/2015	D.MTNEZ	A	-	DESIGNACIÓN:			Nº PLANO:
	MODIFICACIONES	FECHA:	FIRMA:	REVISIÓN:	plegado: acabado:	luxorex 2p-800x1600x400 estandar			AB/67-00 a

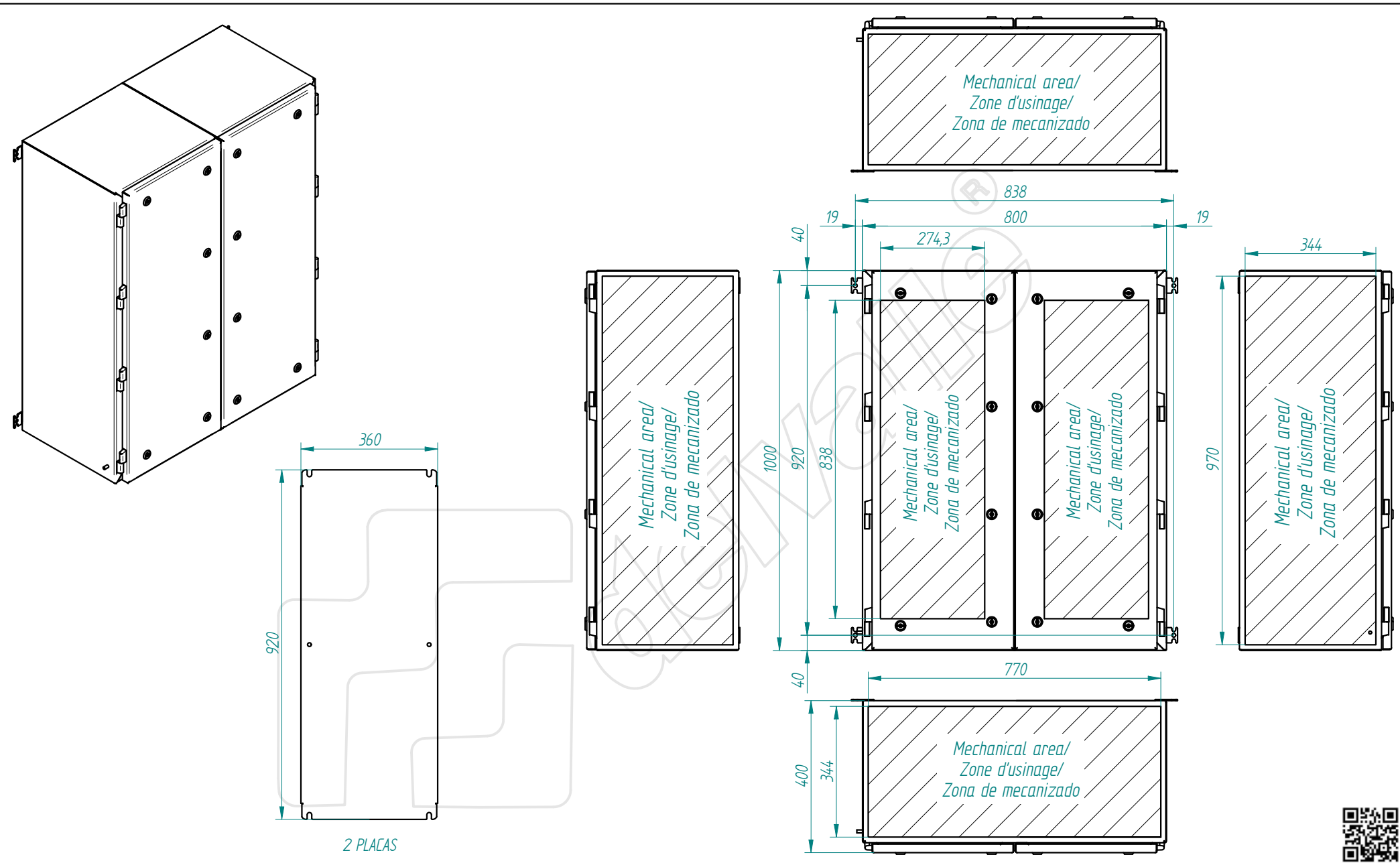



This present document and its contents are confidential, and are the exclusive intellectual and/or industrial property of DELVALLE. In addition to any technology, design, invention, work, process, know-how, calculation, manual, method, solution, idea, improvement, drawing, modification, contribution and, in short, any associated information or documentation involving industrial or intellectual property developed or supplied by DELVALLE on the occasion of the quote, order execution or incorporated into the design or operation of the supply. The recipient may not use such property in his favour or in that of a third party for purposes other than the fulfilment of the order and the operation and maintenance of the supply, without the prior written consent of DELVALLE. It is strictly forbidden to totally or partially reproduce this document and to misuse it and / or to show it to third parties. The infringing parties shall be required to pay the corresponding compensation for damages and any other legal or criminal responsibilities. The infringement may give rise to.



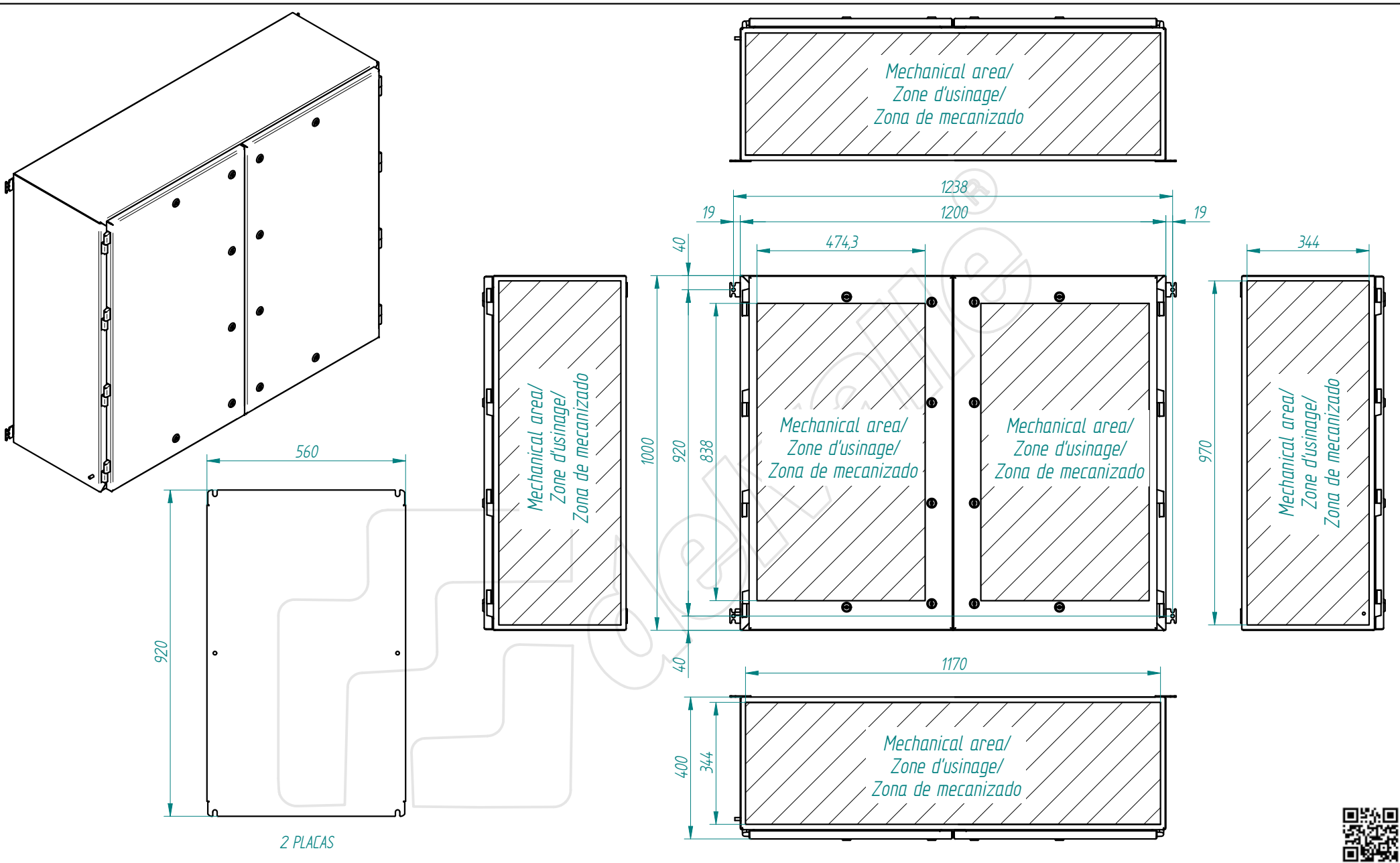
TOLERANCIA GENERAL DE MECANIZACION según DIN 7168					Referencia: MVAB000000/67	DIBUJADO: 28/04/2015	FECHA: 28/04/2015	FIRMA: D.Martinez	
						APROBADO: 28/04/2015		D.Martinez	
	Creación del documento	28/04/2015	D.MTNEZ	A	-	DESIGNACIÓN: luxorex 2p-800x2000x400 estandar			N° PLANO: AB/67-00 a
	MODIFICACIONES	FECHA:	FIRMA:	REVISIÓN:	plegado: acabado:				


This present document and its contents are confidential, and are the exclusive intellectual and / or industrial property of DELVALLE. In addition to any technology, design, invention, work, process, know-how, calculation, manual, method, solution, idea, improvement, drawing, diagram, modification, contribution and, in short, any associated information involving industrial or intellectual property developed or supplied by DELVALLE on the occasion of the quote, order execution or incorporated into the design or operation of the supply. The recipient may not use such property in his favour or in that of a third party for purposes other than the fulfilment of the order and the operation and maintenance of the supply, without the prior written consent of DELVALLE. It is strictly forbidden to totally or partially reproduce this document and to misuse it and / or to show it to third parties. The infringing parties shall be required to pay the corresponding compensation for damages, and any other legal or criminal responsibility is the infringement may give rise to.



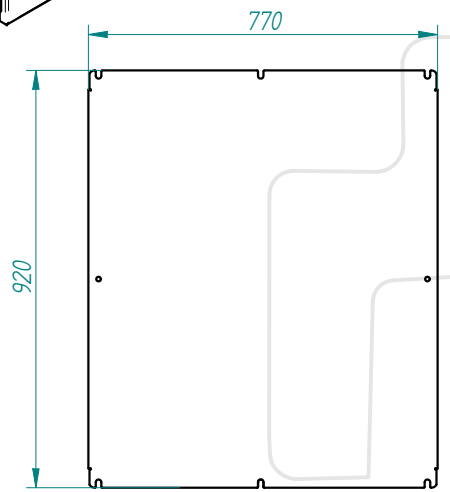
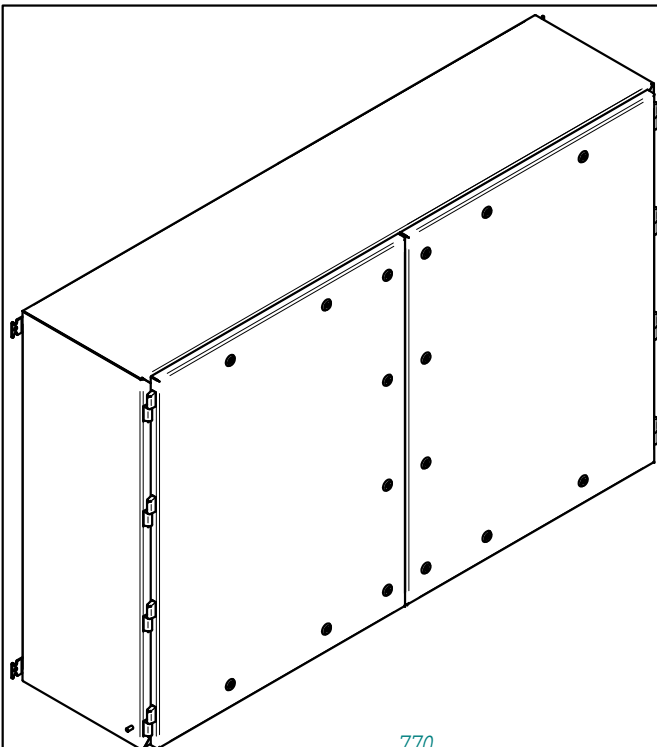
TOLERANCIA GENERAL DE MECANIZACION según DIN 7168	Creación del documento	28/04/2015	D.MTNEZ	A	Referencia: MVAB000000/67	DIBUJADO: 28/04/2015	FECHA: 28/04/2015	FIRMA: D.Martínez	 N° PLANO: AB/67-00 a
	MODIFICACIONES	FECHA:	FIRMA:	REVISIÓN:	- plegado: acabado.	DESIGNACIÓN: luxorex 2p-1000x800x400 estandar			

This present document and its contents are confidential, and are the exclusive intellectual and / or industrial property of DEVALLE. In addition to any technology, design, invention, work, process, know-how, calculation, manual, method, solution, idea, improvement, drawing, diagram, modification, contribution and, in short, any associated information involving industrial or intellectual property developed or supplied by DEVALLE on the occasion of the quote, order execution or incorporated into the design or operation of the supply. The recipient may not use such property in his favour or in that of a third party for purposes other than the fulfilment of the order and the operation and maintenance of the supply, without the prior written consent of DEVALLE. It is strictly forbidden to totally or partially reproduce this document and to misuse it or to show it to third parties. The infringing parties shall be required to pay the corresponding compensation for damages, and any other legal or criminal, responsible and the infringement may give rise to.

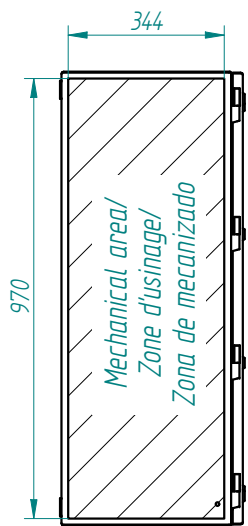
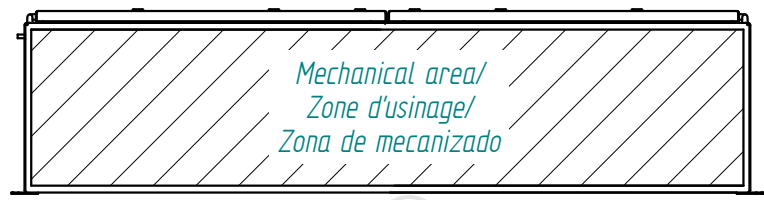
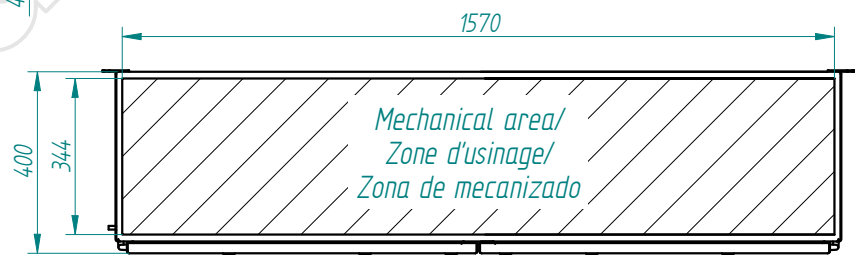
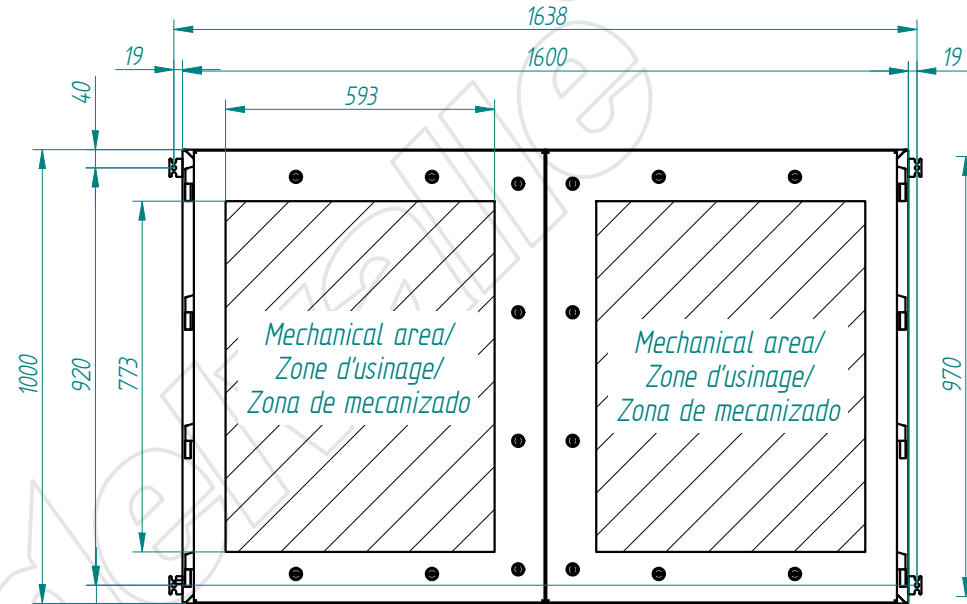
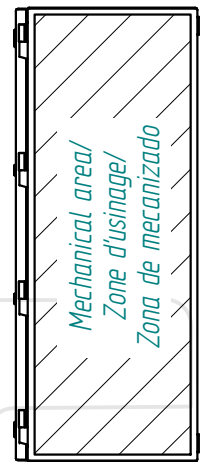


TOLERANCIA GENERAL DE MECANIZACION segun DIN 7168					Referencia: MVAB000000/67	DIBUJADO: 28/04/2015	FECHA: 28/04/2015	FIRMA: D.Martinez	 N° PLANO: AB/67-00 a
	Creación del documento	28/04/2015	D.MTNEZ	A	- plegado: acabado.	APROBADO: 28/04/2015		D.Martinez	
	MODIFICACIONES	FECHA:	FIRMA:	REVISIÓN:		DESIGNACIÓN: luxorex 2p-1000x1200x400 estandar			

This present document and its contents are confidential, and are the exclusive intellectual and / or industrial property of DELVALLE. In addition to any technology, design, invention, work, process, know-how, calculation, manual, method, solution, idea, improvement, drawing, diagram, modification, contribution and, in short, any associated information or documentation involving industrial or intellectual property developed or supplied by DELVALLE on the occasion of the quote, order execution or incorporated into the design or operation of the supply. The recipient may not use such property in his favour or in that of a third party for purposes other than the fulfilment of the order and the operation and maintenance of the supply, without the prior written consent of DELVALLE. It is strictly forbidden to totally or partially reproduce this document and to misuse it and / or to show it to third parties. The infringing parties shall be required to pay the corresponding compensation for damages, and any other legal or criminal responsibility is the infringer's sole responsibility.



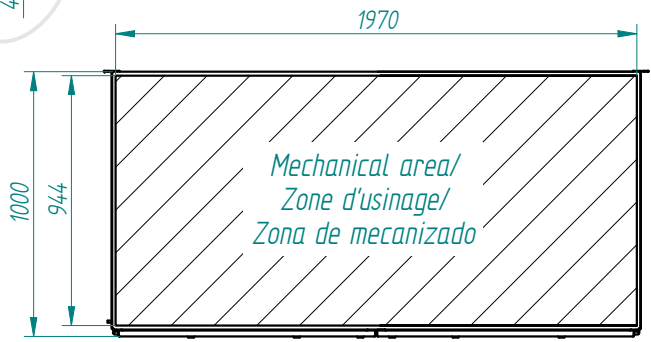
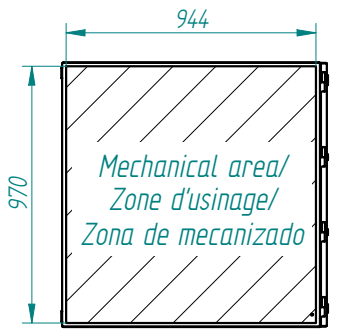
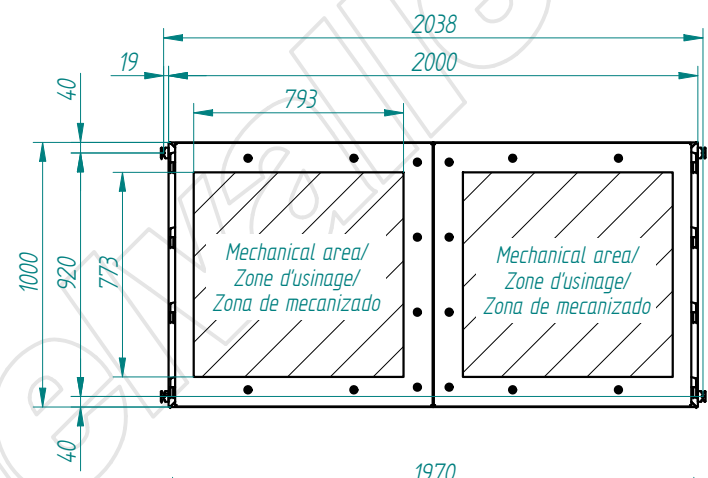
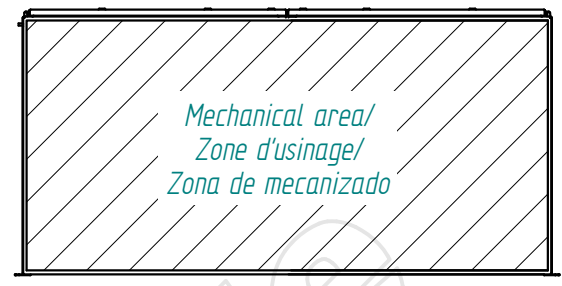
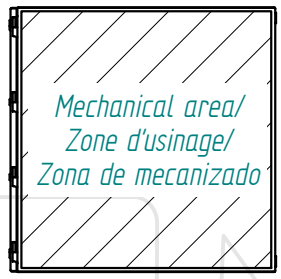
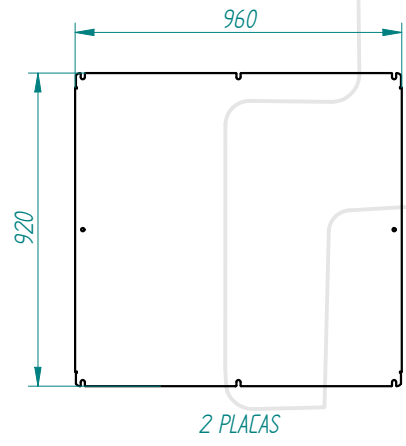
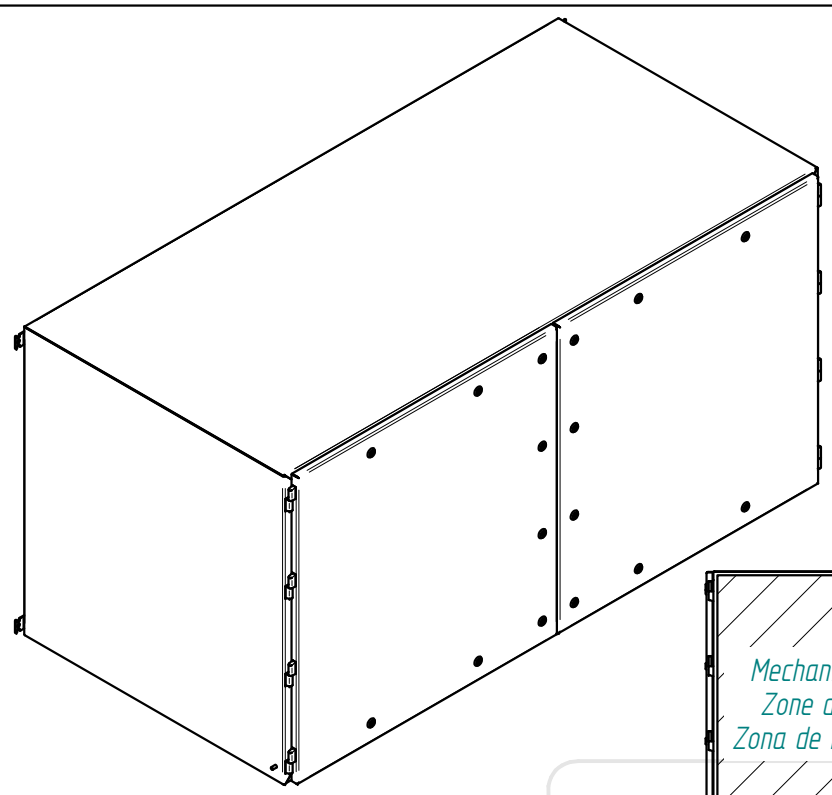
2 PLACAS




TOLERANCIA GENERAL DE MECANIZACION según DIN 7168				Referencia:			
				MVAB000000/67	DIBUJADO:	28/04/2015	
					APROBADO:	28/04/2015	D.Martínez
Creación del documento			28/04/2015	D.MTNEZ	DESIGNACIÓN:		Nº PLANO:
MODIFICACIONES			FECHA:	FIRMA:	luxorex 2p-1000x1600x400 estandar		AB/67-00 a
				REVISIÓN:			



This present document and its contents are confidential, and are the exclusive intellectual and / or industrial property of DELVALLE. In addition to any technology, design, invention, work, process, know-how, calculation, manual, improvement, drawing, diagram, modification, contribution and, in short, any associated information or documentation involving industrial or intellectual property developed or supplied by DELVALLE on the occasion of the quote, order execution or incorporated into the design or operation of the supply. The recipient may not use such property in his favour or in that of a third party for purposes other than the fulfilment of the order and the operation and maintenance of the supply, without the prior written consent of DELVALLE. It is strictly forbidden to totally or partially reproduce this document and to misuse it and / or to show it to third parties. The infringing parties shall be required to pay the corresponding compensation for damages, and any other legal or criminal responsibilities. The infringement may give rise to.



TOLERANCIA GENERAL DE MECANIZACION según DIN 7168	Creación del documento	28/04/2015	D.MTNEZ	A	Referencia: MVAB000000/67 - plegado: acabado.	DIBUJADO:	28/04/2015	FIRMA:	D.Martínez	 N° PLANO: AB/67-00 a
	MODIFICACIONES	FECHA:	FIRMA:	REVISIÓN:		APROBADO:	28/04/2015	D.Martínez	DESIGNACIÓN: luxorex 2p-1000x2000x1000 estandar	