

GALVANIZED STEEL

Zones I, 2, 21 and 22



atex@atexdelvalle.com | www.atexdelvalle.com

MADE OF PAINTED GALVANIZED STEEL, SUITABLE FOR EXTERIOR

# GALVANIZED STEEL EX TERMINAL BOXES

## TERBOX SERIES



MECHANICAL PARTS  
GUARANTEE



· WE ARE ·  
MANUFACTURERS  
CERTIFIED

1.22

# Delvalle, wide experience in manufacturing solutions for hazardous area



## WE PUT AT YOUR DISPOSAL

We offer over **50 years** providing hazardous area **solutions** to demanding customers who require very specific characteristics and behaviour according to the sector and their needs.

## WHEREVER YOU GO

We are committed to working closely with our customers, providing them with exceptional service and offering an advanced and **extensive range of hazardous area products** with very competitive prices.

## CONSULTING & ENGINEERING

Atex Delvalle adapts to our clients' needs by offering hazardous-area systems. Atex-delvalle are the leading certified assembler of Ex junction boxes, our **customized services**, **experienced design** and drafting 3D support.

## HIGH STANDARD OF QUALITY AND SERVICES

We only use materials provided by companies who offer the very highest quality, suitable and certified products. Our success is due to **top quality** assurance: ISO 9001, SGS, UL, TÜV, ISO 14000, Ohsas 1800, Atex, IECEx.



**100%**  
Diseñado y fabricado  
íntegramente en España  
*Entirely designed and  
manufactures in Spain*



## CONTACT US

Confidentiality, reliability & quality

[www.atexdelvalle.com](http://www.atexdelvalle.com)  
[atex@atexdelvalle.com](mailto:atex@atexdelvalle.com)  
+34 945 601 381

ALSO ONLINE



Please contact our technical sales department.

A team of professionals with high experience and ability to solve all your queries.





Zones 1, 2, 21 and 22

# GALVANIZED STEEL EX TERMINAL BOXES

## TERBOX SERIES IP66



Examples

### Customized and Flexible Configurations

Terbox Series of Ex terminal boxes have a rugged, anti-corrosion system and finished, painted galvanized steel surface finish in RAL 9005; with customized and flexible configurations.

Galvanized steel ex terminal boxes are used for dividing and connecting wires for various electrical apparatus and instruments in the circuits. Installation is certified for zones 1, 2, 21 and 22.

We deliver the terminal box with terminals installed on numbered DIN rail, with their glands mounted (material to be chosen) and final certified, ready for placement and in stock for delivery so you do not have to worry about anything.

➔ [FOR MORE INFORMATION CLICK HERE](#)

## FEATURES

- Zones 1, 2, 21 and 22.
- Protection type: IP66.
- Multiples dimensions and models, with mounting included.
- Painted galvanized steel surface finish in RAL 9005.
- Built-in Ex terminals have specifications for 1.5 - 240mm<sup>2</sup> and connect and fix the entry leads.
- Certificates IECEx, Atex and UL.

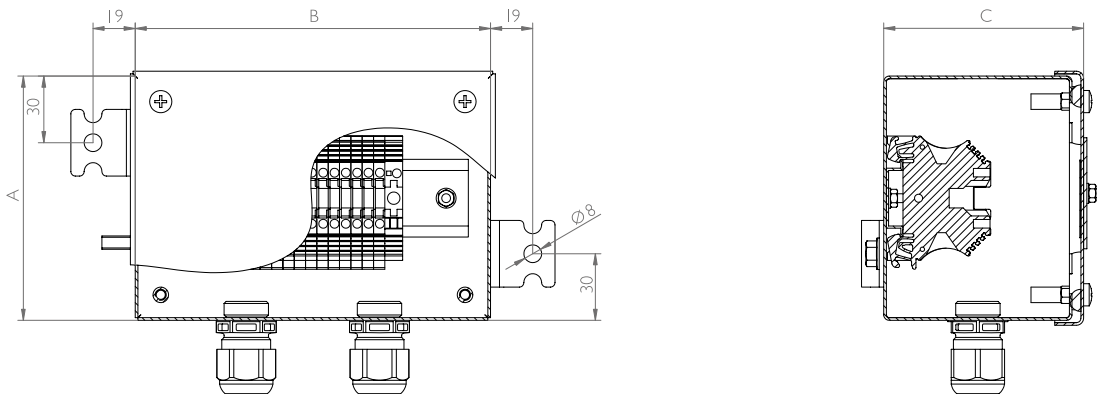
## OPTIONS

- Up to IP67 or IP68.
- Custom made based on your needs (dimensions and actuators).
- Customized and flexible configurations.
- Inputs and outputs of cables are made using Atex cable glands, which can be made of polyamide, nickel plated brass or stainless steel for corrosive areas.

## NORMS AND CERTIFICATES

- Zones I, 2, 21 and 22.
- Protection type: IP66.
- Certificates number:
  - LOM I4ATEX2082
  - IECEx LOM 18.0001X
- Type protection:
  - II2G Ex d e II... T... Gb
  - II2G Ex e mb II..T.. Gb
  - II2G Ex d e mb II... T... Gb
  - II2D Ex t III... T... °C Db
  - III/2G Ex ia/ib II\* T6 Ga/Gb
  - III/2D Ex ia/ib IIICT85°C Da/Db
- Standard:
  - Directive 2014/34/UE
  - EN 60079-0:2012
  - EN 60079-7:2007
  - EN 60079-31:2014
  - IEC 60079-0:2011
  - IEC 60079-7:2015
  - IEC 60079-31:2013
- Working temperature (ambient) -25° to +60°C.

## PLAN AND REFERENCES

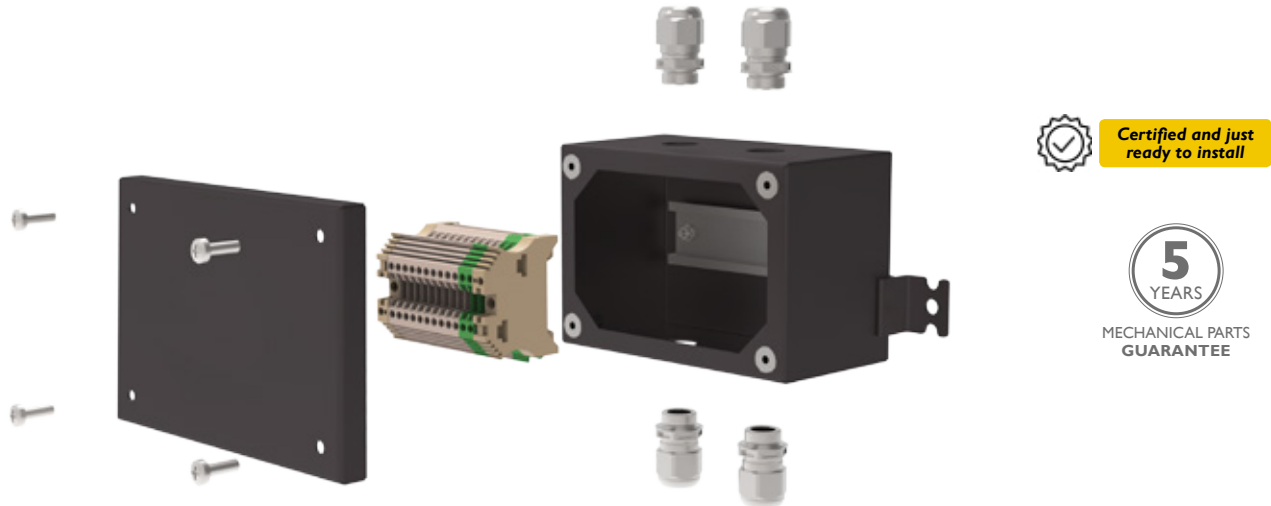


REFERENCES	DIMENSIONS (mm)		
	HEIGHT (A)	WIDTH (B)	DEPTH (C)
GEOCSG121290EX	120	120	90
GEOCSG181290EX	180	120	90
GEOCSG221490EX	220	140	90
GEOCSG202012EX	200	200	120
GEOCSG302012EX	300	200	120
GEOCSG303015EX	300	300	150
GEOCSG404015EX	400	400	150



Zones 1, 2, 21 and 22

## PRE-INSTALLED ATEX JUNCTION BOXES OF GALVANIZED STEEL TERBOX SERIES IP66



Certified and just ready to install

5  
YEARS

MECHANICAL PARTS  
GUARANTEE

The terminal boxes Atex Terbox galvanized steel terminals are pre-assembled with terminals and cable glands; standardized, certified and ready for installation in explosive or corrosive areas 1, 2, 21 and 22.

They have a rugged, anti-corrosion system and finished, painted galvanized steel surface finish in RAL 9005.

We deliver the terminal box with terminals installed on numbered DIN rail, with their glands mounted (material to be chosen) and final certified, ready for placement and in stock for delivery so you do not have to worry about anything.

CE Marking: II2G Ex eb IIC Gb - II2D Ex tb IIIC Db IP66.

### FEATURES

- Pre-installed Atex boxes made of painted galvanized steel surface finish in RAL 9005, robust and anticorrosive, represent our most solvent bet due to its functionality, design and sealing to incorporate all types of Ex terminals.
- Access to the inside is facilitated thanks to the fastening of the cover with easy-to-install screws.
- Incorporated in the inside 8, 15 or 20 screw terminals (2,5 mm<sup>2</sup>) mounted on DIN rail.
- Access to the inside is facilitated thanks to the fastening of the cover with easy-to-install screws.
- Subject to the stringent tests prescribed in IEC 60079-7 in the premises of a Notified Body.
- Zones 1, 2, 21 and 22 can be used in areas subject to explosion hazardous and to be installed in Ex-components and terminals.
- Certified IECEx, Atex and UL



## ADVANTAGES

- Unbeatable delivery time.
- Save time and cost savings.
- Just ready to install.
- Inputs and outputs can be defined based on project needs.
- Made of painted galvanized steel surface finish in RAL 9005
- Zones 1, 2, 21 and 22 can be used in areas subject to explosion hazardous.
- Certified IECEx, Atex and UL

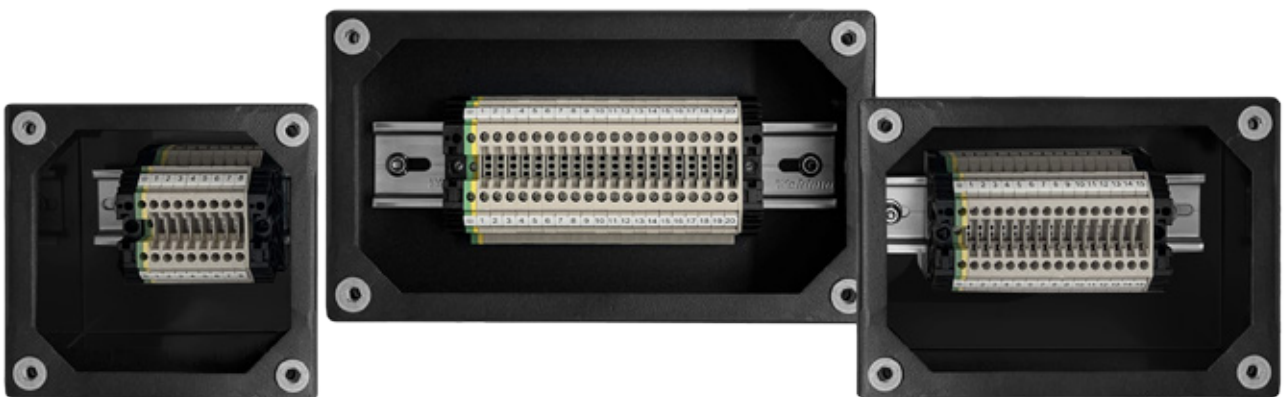


MECHANICAL PARTS  
GUARANTEE

## CABLE GLANDS EX D/E

Cable glands Atex made by Delvalle are used for passing, holding and compressing cables between two compartments, such as junction boxes, cabinets, electrical boxes or devices requiring sealing against dust, dirt or water.

- Cable glands Atex polyamide.
- Cable glands nickel-plated.
- Cable glands unarmoured.
- Cable glands stainless steel AISI 303 / AISI 316.
- Barrier cable glands.
- Plugs polyamide, nickel-plated and stainless steel.
- Ex air vent plug breather and drainage valves.



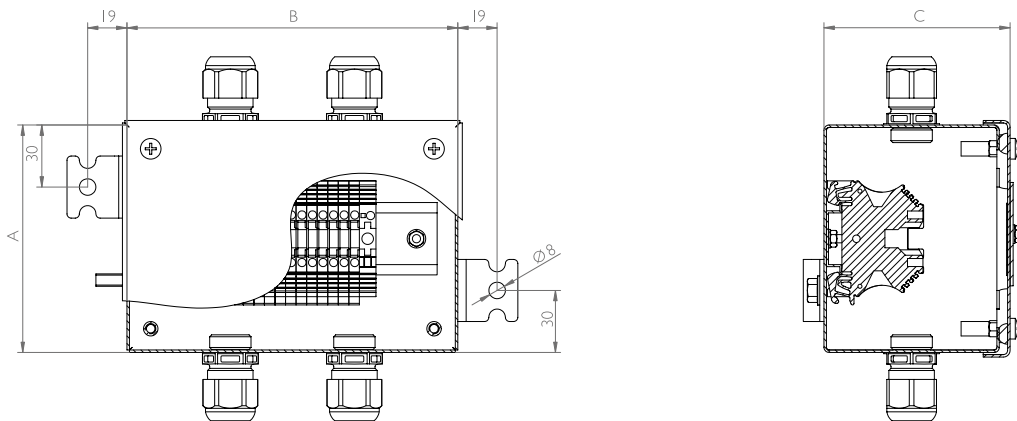
## NORMATIVE

All explosion protection solutions manufactured by Atex Delvalle comply with IECEx, Atex and UL certifications.

They have undergone tests to verify their viability and technical solvency.

- Certificates number:
  - LOM I4ATEX2082
  - IECEx LOM I8.0001X
- Type protection:
  - II2G Ex d e II... T... Gb
  - II2G Ex e mb II..T.. Gb
  - II2G Ex d e mb II... T... Gb
  - II2D Ex t III... T... °C Db
  - III/2G Ex ia/ib II\* T6 Ga/Gb
  - III/2D Ex ia/ib IICT85°C Da/Db
- Standard:
  - Directive 2014/34/UE
  - EN 60079-0:2012
  - EN 60079-7:2007
  - EN 60079-31:2014
  - IEC 60079-0:2011
  - IEC 60079-7:2015
  - IEC 60079-31:2013
- Working temperature (ambient)
  - 25° a +60°C.
- Voltage range: max. 1100V and current range: max. 350A (depending on the types of terminals and Ex components used).

## PLANS



## REFERENCES

REFERENCES	DIMENSIONS (mm)				
	MEASURES (mm)			N° DETERMINALS	
PRE-INSTALLED ATEX JUNCTION BOX OF GALVANIZED STEEL - TERBOX SERIES	HEIGHT -A-	WIDTH -B-	DEPTH -C-	TERMINALS	GROUNDS TERMINALS
GEOCSG12I290EX001	120	120	90	8	1
GEOCSG18I290EX001	180	120	90	15	1
GEOCSG22I490EX001	220	140	90	20	1

# DOWNLOAD OUR CATALOGUES

WE DELIVER THE CABINET FULLY COMPLETED AND CERTIFIED

Also individual certifications



CABLE GLAND



PLUGS, ADAPTERS, ...

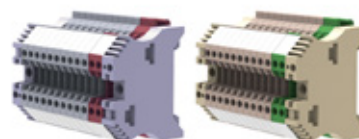
PERSONALIZE YOUR EX JUNCTION BOX



ACTUATORS



TERMINALS





# SOLUTIONS FOR HAZARDOUS AREA

With over 50 years of experience in design, manufacture and supply of electrical high quality Atex & IECEX solutions.

Atex Delvalle adapts to our clients' needs by offering Hazardous Area enclosures and boxes on demand. They are adapted to your specific requirements of installation and assembly, up to the last detail.

Atex Delvalle designs and manufactures a range of Hazardous Area enclosures; junction and terminal boxes, pressurized, flameproof Ex d and increased Safety Ex e Atex & IECEX compliant enclosures.



ATEX CABLE GLANDS



MOTOR STARTER & LOAD DISCONNECT SWITCHES



ATEX TERMINAL & JUNCTION BOXES



ATEX LIGHTING FIXTURE



## FLAMEPROOF ENCLOSURES & PULLING BOXES

## HMI INDUSTRIAL PANELS WORKSTATIONS



## CONTROL STATIONS & DISTRIBUTION BOXES

Atex control boxes (Contrex Series), they are specially designed to perform checks, maneuvers and as actuators in explosive atmospheres. They have a rugged, corrosion system and finished in stainless steel or GRP polyester. It allows you to perform maneuvers and controls at the machine in hazardous areas and take programming and automation in a safe area. Offering customers a great combination of possibilities and flexibility. Select the component that best suits your operator panels, keypads, mushrooms, switches, ammeters... and you assemble all with Atex certified, Ex & IECEx and UL.



## ENCLOSURES FOR CORROSION ENVIRONMENTS

## PRESSURIZED PANELS & ATEX PURGE





**HAZARDOUS AREA SOLUTIONS ATEX E IECEX**



Paso del Prao, 6. 01320 Oyón (Álava). Spain  
Telf. +34 945 601 381  
atex@atexdelvalle.com | [www.atexdelvalle.com](http://www.atexdelvalle.com)

**Contacta con nosotros, estamos a su disposición**