



HAZARDOUS AREA SOLUTIONS

atex@atexdelvalle.com | www.atexdelvalle.com

EX TIMER RELAY MODULE



Delvalle, wide experience in manufacturing solutions for hazardous area



WE PUT AT YOUR DISPOSAL

We offer over **45 years** providing hazardous area **solutions** to demanding customers who require very specific characteristics and behaviour according to the sector and their needs.

WHEREVER YOU GO

We are committed to working closely with our customers, providing them with exceptional service and offering an advanced and **extensive range of hazardous area products** with very competitive prices.

CONSULTING & ENGINEERING

Atex Delvalle adapts to our clients' needs by offering hazardous-area systems.
Certified Junction Box Assembly.
Atex-delvalle are the leading certified assembler of Ex junction boxes. With an extensive stock holding of stainless steel enclosures, our workshops are able to provide unrivalled competence, expertise, quality and service to customer specifications.
Our customized services, experienced design and drafting 3D support.

HIGH STANDARD OF QUALITY AND SERVICES

We only use materials provided by companies who offer the very highest quality, suitable and certified products. Our success is due to **top quality** assurance:
ISO 9001, SGS, UL, TÜV, ISO 14000, Ohsas 18001, ATEX, IECEx.



CONTACT US

Confidentiality, reliability & quality

www.atexdelvalle.com
atex@atexdelvalle.com
+34 945 601 381

ALSO ONLINE



Please contact our technical sales department.

A team of professionals with high experience and ability to solve all your queries.



**Zones 1 and 2**

EX TIMER RELAY MODULE

The Timer Relay Have a Delay of Up to 100 Hours



Example

Delvalle timer relays are versatile components for 'Ex e' enclosures in Zones 1 and 2 that you can really rely on. They can be used for various applications. The timer relay is type-tested standard component for time-delayed switching, with a delay of up to 100 hours. It is available in recurrence and on-delay variants. They have a corrosion-resistant enclosure and easily accessible connection terminal to make installation easier and allow for safe connection. They can be reliably secured in the enclosure with screws such that they do not vibrate.



FOR MORE INFORMATION CLICK HERE

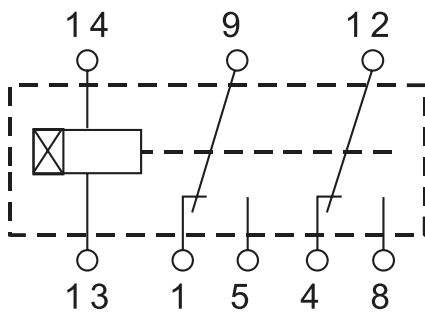


EX TIMER RELAY MODULE

TECHNICAL DATA

- Zones 1 and 2.
- Service power supply voltage: up to 230V.
- Time relay range: 0.1S ~ 100h.
- Work module: switch on and time delay.
- Rated current: AC5A.
- Cross section of terminal: 2 x 1 ~ 2.5mm².
- Material of enclosure: unsaturated resin.
- Weight: 0,8kg.

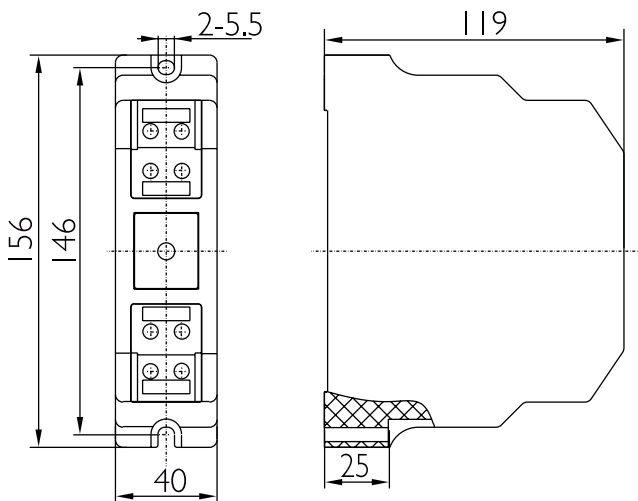
ELECTRICAL DIAGRAM



CERTIFICATES

- Certificates number:
 - IECEx CML I9.0085U
 - CML I9 ATEX I300U
- Type protection:
 - II2G Ex db eb IIC Gb
- Standard:
 - Directive 2014/34/EU
 - EN IEC 60079-0:2018
 - EN 60079-1:2014
 - EN IEC 60079-7:2015+A1:2018
 - IEC 60079-0:2017
 - IEC 60079-1:2014-06
 - IEC 60079-7:2017
- Ambient temperature:
 - $-20^{\circ}\text{C} < T_a < +60^{\circ}\text{C}$ (IIC)
 - $-40^{\circ}\text{C} < T_a < +60^{\circ}\text{C}$ (IIB)
- Operating temperature:
 - $-20^{\circ}\text{C} < T_a < +110^{\circ}\text{C}$ (IIC)
 - $-40^{\circ}\text{C} < T_a < +110^{\circ}\text{C}$ (IIB)

DIMENSIONS AND REFERENCES



Reference configuration. Examples: TEP60A-1-10S, TEP60A-3-10H or TEP60A-2-01S.

[1] Code	[2] Service Power Supply Voltage	[3] Timing Range
	1 - AC 120V	01S - 0.1s to 1s
	2 - AC 230V	10S - 1s to 10s
	3 - DC 12V	01M - 0.1min to 1min
	4 - DC 24V	10M - 1min to 10min
	5 - AC 24V	01H - 0.1h to 1h
		10H - 1h to 10h
		100 - 10h to 100h
TEP60A	- 2	- 01S

DELVALLE OFFERS OTHER SOLUTIONS ATEX & IECEx

→ [CLICK HERE AND DISCOVER ALL SOLUTIONS](#)

ATEX TERMINAL BOXES TERBOX SERIES



EX LOCAL CONTROL & DISTRIBUTION BOXES CONTREX SERIES



PLUG AND SOCKET BOXES CONNEX SERIES



FLAMEPROOF CONNECTION BOXES EJB SERIES



EX LIGHTING FIXTURE ATEX



PRESSURIZED ENCLOSURE EX P PEPPEX SERIES



DELVALLE OFFERS OTHER SOLUTIONS ATEX & IECEx

➔ [CLICK HERE AND DISCOVER ALL SOLUTIONS](#)

EX CABLE GLANDS ATEX & IECEx



MOTOR AND SWITCH MACHINES ATEX & IECEx



EX PUSH BUTTON STATION CONTREX SERIES



INDUSTRIAL WORKSTATIONS & HMI'S ATEX



EX 19" RACK ATEX



HAZARDOUS WIRELESS & ANTENNA SYSTEMS ATEX





/ FLEXIBLE ATEX & IECEX SOLUTIONS



Paso del Prao, 6. 01320 Oyón (Álava), Spain
Telf. +34 945 601 381
www.atexdelvalle.com - atex@atexdelvalle.com

Contact us, we will be available at any time