

HAZARDOUS LOCATION AIR CONDITIONERS

Zones 1, 2, 21 and 22



ATEX THERMOELECTRIC COOLER IP67	4
ATEX AIR CONDITIONERS - AIRATEX 2 SERIES IP66	6
ATEX AIR CONDITIONERS - AIRATEX 1 SERIES IP66	11
AMERICAN REGULATED REFRIGERATORS UL	14
REFRIGERATORS ATEX - VORTEX SERIES IP66	15
HAZARDOUS AREA HEATER EX	17
HAZARDOUS AREA THERMOSTATS	18



Paso del Prao, 6, 01320 Oyón (Álava), Spain
Telf. +34 945 601 381
atex@atexdelvalle.com | www.atexdelvalle.com

Delvalle, wide experience in manufacturing solutions for hazardous area



WE PUT AT YOUR DISPOSAL

We offer over **45 years** providing hazardous area **solutions** to demanding customers who require very specific characteristics and behaviour according to the sector and their needs.

WHEREVER YOU GO

We are committed to working closely with our customers, providing them with exceptional service and offering an advanced and **extensive range of hazardous area products** with very competitive prices.

CONSULTING & ENGINEERING

Atex Delvalle adapts to our clients' needs by offering hazardous-area systems. Atex-delvalle are the leading certified assembler of Ex junction boxes, our **customized services**, **experienced design** and drafting 3D support.

HIGH STANDARD OF QUALITY AND SERVICES

We only use materials provided by companies who offer the very highest quality, suitable and certified products. Our success is due to **top quality** assurance: ISO 9001, SGS, UL, TÜV, ISO 14000, Ohsas 1800, Atex, IECEx.



100%

Diseñado y fabricado íntegramente en España

Entirely designed and manufactures in Spain



CONTACT US

Confidentiality, reliability & quality

www.atexdelvalle.com
atex@atexdelvalle.com
 +34 945 601 381

ALSO ONLINE



Please contact our technical sales department.

A team of professionals with high experience and ability to solve all your queries.





Zone 2

ATEX THERMOELECTRIC COOLER IP67

Our Calculation Tool You Have the Possibility To Determine The Required Cooling Capacity For Your Project

The Atex cabinet cooler IP67 is a thermoelectric cooler for applications in potentially explosive atmospheres of category 3G according to Directive 2014/34/EU (Zone 2), gas group IIB and temperature class T4.



Example

[→ FOR MORE INFORMATION CLICK HERE](#)

APPLICATIONS

- The enclosure for this application must have a protection degree of at least IP54 in order to comply with the directive.

ADVANTAGES

- Without liquid refrigerant.
- Installation in any position.
- Compact, small dimension.
- Optional cooling and heating is possible.
- IP67 waterproof.



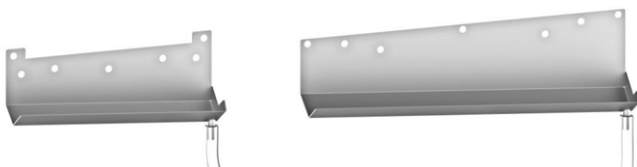
ATEX THERMOELECTRIC COOLER IP67

FEATURES

- Thermoelectric cooling without liquid refrigerant.
- Installation possible in any position.
- Resistant to adverse environment conditions.
- High degree of protection and robust stainless steel design.
- Perfect for mobile applications.
- Optional cooling and heating is possible.

ACCESSORIES

Condensate trough (MVVE200) (MVVE300).



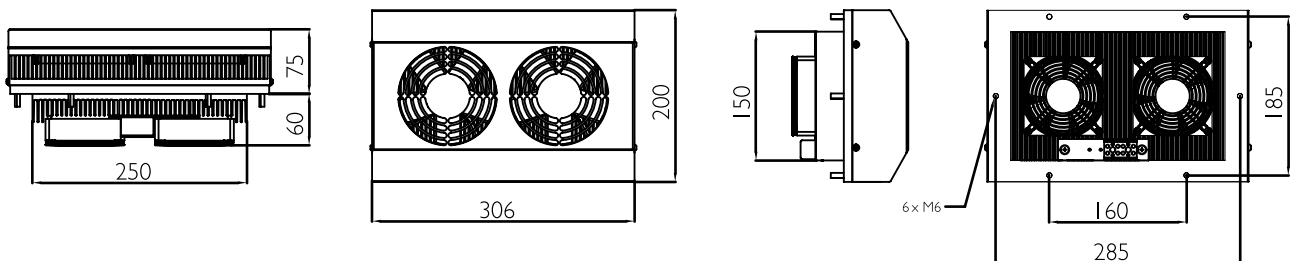
Vent drains: stainless steel AISI 304 (MVVD300.I) or corrosion-resistant polyester (MVVD300.P).



TECHNICAL DATA

- Operating voltage: 24 V DC
- Input voltage range: 18 - 26 V DC
- Amperage: 7,2 A
- Starting current: 11 A
- Fuse: 10 A (T)
- Cooling capacity at $\Delta t = 0$ Kelvin: 150W / 512Btu/h
- Heating capacity: 200W / 685 Btu/h
- Nominal power: 173 W
- Sound pressure: 69 dB(A) @1m
- Air volume flow: 80 m³/h
- Service life: 60.000 h
- Weight: 8100 gr.
- Degree of protection: IP67
- EX II 3G Ex ec IIBT4 Gc
- Approval: CE, EX, II 3G Ex ec IIBT4 Gc
- Conformity certificate: 2014/34/EU
- Certificate number: EPS 19 ATEX I 160 X
- Operating temperature: -20 °C ... +70 °C

PLAN AND REFERENCES



ATEX THERMOELECTRIC COOLER

REFERENCE	OPERATING VOLTAGE	INPUT VOLTAGE RANGE	AMPERAGE	DIMENSIONS
MVTEC-EX150EH	24 V DC	18 - 26 V DC	7,2 A	306x200x135



Zone 2

ATEX AIR CONDITIONERS **AIRATEX 2 SERIES** IP66

**Compact Design,
Certificate for Zone 2**



Examples



Airatex 2, are compact air conditioners certified Atex & IECEx Zone 2, quick and reliable assembly, with minimal maintenance and optimal design, for use when it is essential to cool electrical panels in Atex and hazardous areas.

Available in 4100, 5600, 6500, 8413, 10358, 12187, 14876, 17509 and 22500 BTU models.

FEATURES

- Compact size.
- Warm enclosure air is drawn in near the top of the unit, while conditioned air is discharged near the bottom.
- Three position condenser air flow with the option to direct hot discharge air in different directions.
- Standard Digital Controller with programmable temperatures and alarm.
- Controller can be installed on either front or rear of the unit (inside or outside at the enclosure).
- Can be used with or without a purge system.
- ATEX / IECEx / UL Certified.
- Outdoor model operating temperature range from -40°C to +60°C.
- Environment friendly refrigerant.
- Efficient, quiet, and long lasting rotary compressor.
- Powder coated finish on durable 16 gauge welded steel.
- Easy pull out filter cleanable, reusable electrostatic 10 micron filter.
- Minimal visible fasteners.
- IP66.

[→ FOR MORE INFORMATION CLICK HERE](#)

ATEX AIR CONDITIONERS **AIRATEX 2 SERIES** IP66

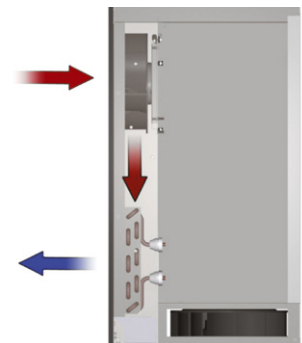


OPTIONS

- Customised finish.
- 304 or 316 stainless steel.
- Low ambient (LA).
- Alarm output (XO3).
- 4 Micron condenser filter.
- Total corrosive e-coating (CP3).
- 120V 60Hz.
- 220 / 230V 50 / 60Hz.
- 400V 50 / 60Hz.
- 480V 50 / 60Hz.
- Three position condenser air flow with the option to direct hot discharged air in different directions.
- Built in purge fitting (this 1/4"[6.35MM] OD push to connect fitting is for convenience only and is not required as a protection method. All components are non-ignition source components and do not require purge protection from any source).

AIR FLOW

Warm enclosure air is drawn in near the top of the unit, while conditioned air is discharged near the bottom.

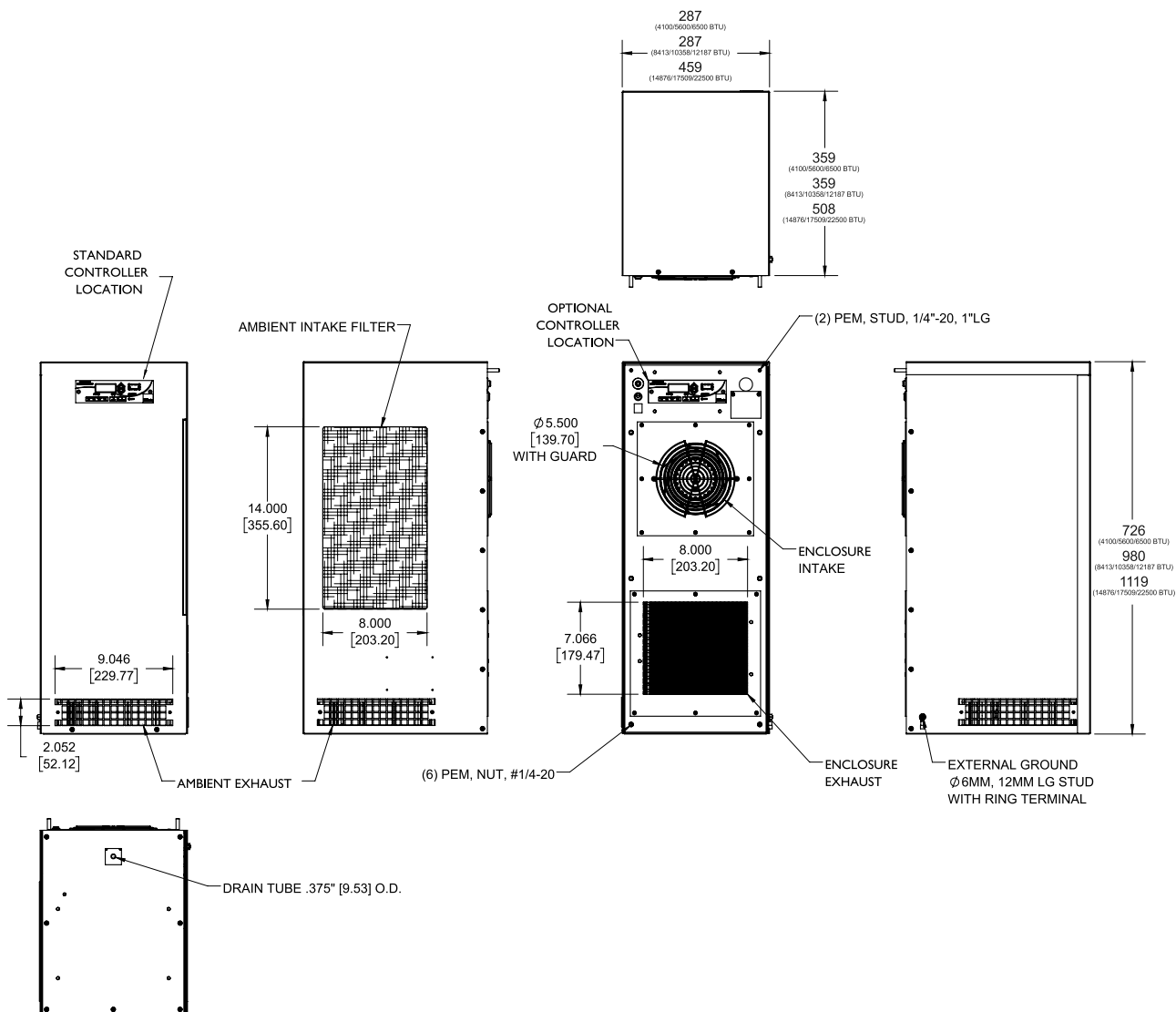


Three position condenser air flow with the option to direct hot discharge air in different directions.

Repositionable condenser air flow diverter plate.

ATEX AIR CONDITIONERS AIRATEX 2 SERIES IP66

PLAN



ATEX AIR CONDITIONERS **AIRATEX 2 SERIES** IP66

REFERENCES

Reference configured. Example: MVOUT1202A5EX2 (painted steel air conditioning 1202 W with 220V and 50 Hz)

1	+	2	+	3	+	4	+	5
Model		Watts		Volts		Herzios		Code
MVOUT: painted steel MVOUTX: 304 stainless steel MVOUTX6: 316 stainless steel				A: 220 - 230V ac B: 120V ac C: 400V ac D: 480V ac		5: 50 Hz 6: 60 Hz		EX2
MVOUT		1202		A		5		EX2

REFERENCES ATEX AIR CONDITIONERS - AIRATEX 2 SERIES

MODEL	BTU	WATTS	VOLTS	HERCIOS	MAX.AMP	MIN. - MAX.T °C	WEIGHT (Kg)
MVOUT/X/X6	4100	1202	120	60	8.28	-40 °C + 60 °C	44.2
MVOUT/X/X6	4100	1202	220	50	3.73	-40 °C + 60 °C	44.2
MVOUT/X/X6	4100	1202	230	60	4.30	-40 °C + 60 °C	44.2
MVOUT/X/X6	4100	1202	240	50	3.50	-40 °C + 60 °C	44.2
MVOUT/X/X6	4100	1202	240	60	4.13	-40 °C + 60 °C	44.2
MVOUT/X/X6	4100	1202	400	50	2.22	-40 °C + 60 °C	53.3
MVOUT/X/X6	4100	1202	400	60	2.47	-40 °C + 60 °C	53.3
MVOUT/X/X6	4100	1202	440	50	2.02	-40 °C + 60 °C	53.3
MVOUT/X/X6	4100	1202	440	60	2.25	-40 °C + 60 °C	53.3
MVOUT/X/X6	4100	1202	480	50	2.00	-40 °C + 60 °C	53.3
MVOUT/X/X6	4100	1202	480	60	2.08	-40 °C + 60 °C	53.3
MVOUT/X/X6	5600	1641	120	60	8.29	-40 °C + 60 °C	44.2
MVOUT/X/X6	5600	1641	220	50	3.73	-40 °C + 60 °C	44.2
MVOUT/X/X6	5600	1641	230	60	4.31	-40 °C + 60 °C	44.2
MVOUT/X/X6	5600	1641	240	50	3.50	-40 °C + 60 °C	44.2
MVOUT/X/X6	5600	1641	240	60	4.13	-40 °C + 60 °C	44.2
MVOUT/X/X6	5600	1641	400	50	2.29	-40 °C + 60 °C	53.3
MVOUT/X/X6	5600	1641	400	60	2.49	-40 °C + 60 °C	53.3
MVOUT/X/X6	5600	1641	440	50	2.03	-40 °C + 60 °C	53.3
MVOUT/X/X6	5600	1641	440	60	2.25	-40 °C + 60 °C	53.3
MVOUT/X/X6	5600	1641	480	50	2.00	-40 °C + 60 °C	53.3
MVOUT/X/X6	5600	1641	480	60	2.09	-40 °C + 60 °C	53.3
MVOUT/X/X6	6500	1905	120	60	8.31	-40 °C + 60 °C	44.2
MVOUT/X/X6	6500	1905	220	50	3.82	-40 °C + 60 °C	44.2
MVOUT/X/X6	6500	1905	230	60	4.32	-40 °C + 60 °C	44.2
MVOUT/X/X6	6500	1905	240	50	3.52	-40 °C + 60 °C	44.2
MVOUT/X/X6	6500	1905	240	60	4.11	-40 °C + 60 °C	44.2
MVOUT/X/X6	6500	1905	400	50	2.52	-40 °C + 60 °C	53.3
MVOUT/X/X6	6500	1905	400	60	2.52	-40 °C + 60 °C	53.3
MVOUT/X/X6	6500	1905	440	50	2.03	-40 °C + 60 °C	53.3
MVOUT/X/X6	6500	1905	440	60	2.26	-40 °C + 60 °C	53.3
MVOUT/X/X6	6500	1905	480	50	2.02	-40 °C + 60 °C	53.3
MVOUT/X/X6	6500	1905	480	60	2.11	-40 °C + 60 °C	53.3
MVOUT/X/X6	8413	2466	120	60	15.10	-40 °C + 60 °C	57.2
MVOUT/X/X6	8413	2466	220	50	6.50	-40 °C + 60 °C	57.2
MVOUT/X/X6	8413	2466	230	60	7.70	-40 °C + 60 °C	57.2
MVOUT/X/X6	8413	2466	240	50	6.96	-40 °C + 60 °C	57.2
MVOUT/X/X6	8413	2466	240	60	7.17	-40 °C + 60 °C	57.2
MVOUT/X/X6	8413	2466	400	50	4.20	-40 °C + 60 °C	68.0
MVOUT/X/X6	8413	2466	400	60	4.21	-40 °C + 60 °C	68.0
MVOUT/X/X6	8413	2466	440	50	3.74	-40 °C + 60 °C	68.0
MVOUT/X/X6	8413	2466	440	60	3.98	-40 °C + 60 °C	68.0
MVOUT/X/X6	8413	2466	480	50	3.80	-40 °C + 60 °C	68.0
MVOUT/X/X6	8413	2466	480	60	3.60	-40 °C + 60 °C	68.0

ATEX AIR CONDITIONERS **AIRATEX 2 SERIES** IP66

REFERENCES ATEX AIR CONDITIONERS - AIRATEX 2 SERIES

MODEL	BTU	WATTS	VOLTS	HERCIOS	MAX.AMP	MIN. - MAX.T °C	WEIGHT (Kg)
MVOUT/XIX6	10358	3036	120	60	19.80	-40 °C + 60 °C	57.2
MVOUT/XIX6	10358	3036	220	50	10.00	-40 °C + 60 °C	57.2
MVOUT/XIX6	10358	3036	230	60	10.10	-40 °C + 60 °C	57.2
MVOUT/XIX6	10358	3036	240	50	9.26	-40 °C + 60 °C	57.2
MVOUT/XIX6	10358	3036	240	60	9.46	-40 °C + 60 °C	57.2
MVOUT/XIX6	10358	3036	400	50	5.10	-40 °C + 60 °C	68.0
MVOUT/XIX6	10358	3036	400	60	5.09	-40 °C + 60 °C	68.0
MVOUT/XIX6	10358	3036	440	50	5.04	-40 °C + 60 °C	68.0
MVOUT/XIX6	10358	3036	440	60	5.20	-40 °C + 60 °C	68.0
MVOUT/XIX6	10358	3036	480	50	5.06	-40 °C + 60 °C	68.0
MVOUT/XIX6	10358	3036	480	60	5.05	-40 °C + 60 °C	68.0
MVOUT/XIX6	12187	3572	120	60	20.10	-40 °C + 60 °C	57.2
MVOUT/XIX6	12187	3572	220	50	10.30	-40 °C + 60 °C	57.2
MVOUT/XIX6	12187	3572	230	60	10.30	-40 °C + 60 °C	57.2
MVOUT/XIX6	12187	3572	240	50	9.42	-40 °C + 60 °C	57.2
MVOUT/XIX6	12187	3572	240	60	9.70	-40 °C + 60 °C	57.2
MVOUT/XIX6	12187	3572	400	50	5.22	-40 °C + 60 °C	68.0
MVOUT/XIX6	12187	3572	400	60	5.21	-40 °C + 60 °C	68.0
MVOUT/XIX6	12187	3572	440	50	5.10	-40 °C + 60 °C	68.0
MVOUT/XIX6	12187	3572	440	60	5.32	-40 °C + 60 °C	68.0
MVOUT/XIX6	12187	3572	480	50	5.10	-40 °C + 60 °C	68.0
MVOUT/XIX6	12187	3572	480	60	5.09	-40 °C + 60 °C	68.0
MVOUT/XIX6	14876	4360	220	50	12.50	-40 °C + 60 °C	101
MVOUT/XIX6	14876	4360	230	60	12.10	-40 °C + 60 °C	101
MVOUT/XIX6	14876	4360	240	50	11.44	-40 °C + 60 °C	101
MVOUT/XIX6	14876	4360	240	60	11.68	-40 °C + 60 °C	101
MVOUT/XIX6	14876	4360	400	50	7.09	-40 °C + 60 °C	125
MVOUT/XIX6	14876	4360	400	60	7.11	-40 °C + 60 °C	125
MVOUT/XIX6	14876	4360	440	50	7.59	-40 °C + 60 °C	125
MVOUT/XIX6	14876	4360	440	60	7.01	-40 °C + 60 °C	125
MVOUT/XIX6	14876	4360	480	50	6.76	-40 °C + 60 °C	125
MVOUT/XIX6	14876	4360	480	60	6.66	-40 °C + 60 °C	125
MVOUT/XIX6	17509	5131	220	50	13.76	-40 °C + 60 °C	101
MVOUT/XIX6	17509	5131	230	60	13.21	-40 °C + 60 °C	101
MVOUT/XIX6	17509	5131	240	50	12.65	-40 °C + 60 °C	101
MVOUT/XIX6	17509	5131	240	60	12.80	-40 °C + 60 °C	101
MVOUT/XIX6	17509	5131	400	50	6.81	-40 °C + 60 °C	125
MVOUT/XIX6	17509	5131	400	60	6.92	-40 °C + 60 °C	125
MVOUT/XIX6	17509	5131	440	50	7.13	-40 °C + 60 °C	125
MVOUT/XIX6	17509	5131	440	60	7.15	-40 °C + 60 °C	125
MVOUT/XIX6	17509	5131	480	50	6.74	-40 °C + 60 °C	125
MVOUT/XIX6	17509	5131	480	60	6.43	-40 °C + 60 °C	125
MVOUT/XIX6	22500	6594	220	50	16.96	-40 °C + 60 °C	101
MVOUT/XIX6	22500	6594	230	60	16.40	-40 °C + 60 °C	101
MVOUT/XIX6	22500	6594	240	50	15.27	-40 °C + 60 °C	101
MVOUT/XIX6	22500	6594	240	60	15.35	-40 °C + 60 °C	101
MVOUT/XIX6	22500	6594	400	50	8.70	-40 °C + 60 °C	125
MVOUT/XIX6	22500	6594	400	60	8.67	-40 °C + 60 °C	125
MVOUT/XIX6	22500	6594	440	50	9.12	-40 °C + 60 °C	125
MVOUT/XIX6	22500	6594	440	60	8.88	-40 °C + 60 °C	125
MVOUT/XIX6	22500	6594	480	50	8.64	-40 °C + 60 °C	125
MVOUT/XIX6	22500	6594	480	60	8.36	-40 °C + 60 °C	125



Zone I

ATEX AIR CONDITIONERS **AIRATEX I SERIES** IP66

**We Offer
you High Reliability Atex**



Example

[FOR MORE INFORMATION CLICK HERE](#)

OPTIONS

- Custom finishes.
- 304 or 316 stainless steel construction.
- Low Ambient (LA)
- Easy pull-out, cleanable, reusable electrostatic 4-micron filter.
- CP3 Total Corrosive E-Coating (CP3).
- 220V 50Hz, 60Hz.
- 230V 50Hz, 60Hz.
- 240V 50Hz, 60Hz.

Airatex I, are compact air conditioners certified Atex & IECEx Zone I, quick and reliable assembly, with minimal maintenance and optimal design, for use when it is essential to cool electrical panels in Atex and hazardous areas.

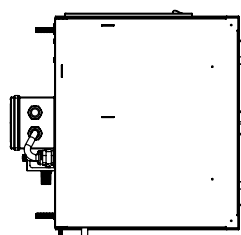
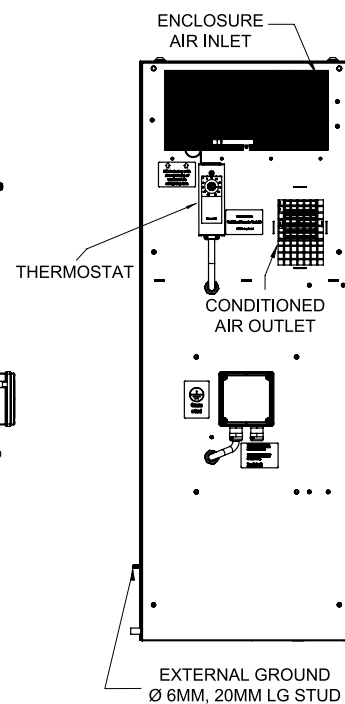
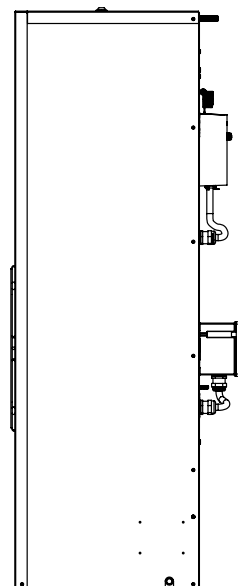
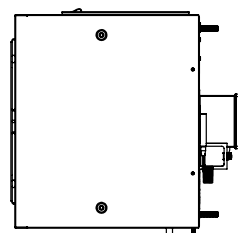
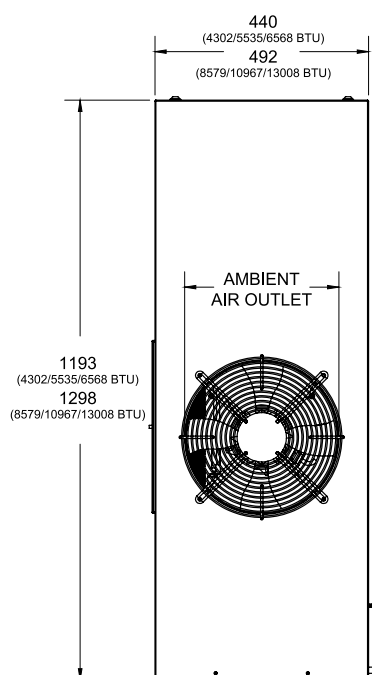
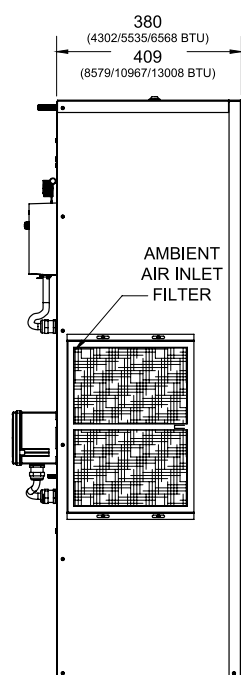
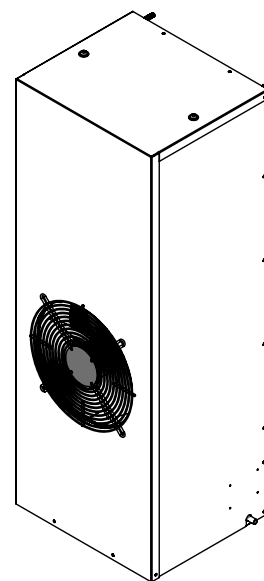
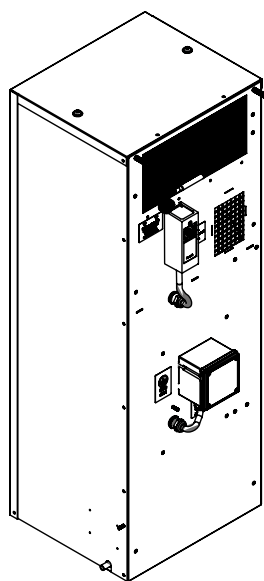
Available in 4100, 5600, 6500, 8413, 10358, 12187, 14876, 17509 and 22500 BTU models.

FEATURES

- Compact size.
- Closed-loop cooling to protect your application and increase efficiency.
- Flame-proof enclosure with integrated fire path to protect arcing and sparking components.
- Environment friendly HFC refrigerant.
- Maintains a purged environment if your application is suited with one
- Does not require purge protection.
- Easy installation.
- Indoor and outdoor use.
- 304 or 316 stainless steel welded construction.
- Efficient, quiet, and long-lasting rotary compressor.
- Easy pull-out, cleanable, reusable electrostatic 10-micron filter.
- Engineered for optimal engineering efficiency in enclosure cooling
- Maintains IP66 integrity.
- Atex / IECEx / UL / RoHS certified.

ATEX AIR CONDITIONERS **AIRATEX I SERIES** IP66

PLAN



ATEX AIR CONDITIONERS **AIRATEX I SERIES** IP66

REFERENCES

Reference configured. Example: MVOUTX1262A5EX1 (304 stainless steel air conditioning 1262 W with 220V and 50 Hz).

1	+	2	+	3	+	4	+	5
Model		Watts		Volts		Herzios		Code
MVOUTX: 304 stainless steel MVOUTX6: 316 stainless steel				A: 220 - 230 - 240V ac		5: 50 Hz 6: 60 Hz		EXI
MVOUT		1202		A		5		EXI

REFERENCES ATEX AIR CONDITIONERS - AIRATEX I SERIES

MODEL	BTU	WATTS	VOLTS	HERCIOS	MAX.AMP	MIN. - MAX.T °C	WEIGHT (Kg)
MVOUTX/X6	4302	1262	220	50	7.44	-40 °C + 60 °C	102
MVOUTX/X6	4302	1262	220	60	7.44	-40 °C + 60 °C	102
MVOUTX/X6	4302	1262	230	50	8.80	-40 °C + 60 °C	102
MVOUTX/X6	4302	1262	230	60	8.80	-40 °C + 60 °C	102
MVOUTX/X6	4302	1262	240	50	7.35	-40 °C + 60 °C	102
MVOUTX/X6	4302	1262	240	60	8.64	-40 °C + 60 °C	102
MVOUTX/X6	5535	1623	220	50	7.74	-40 °C + 60 °C	102
MVOUTX/X6	5535	1623	220	60	7.74	-40 °C + 60 °C	102
MVOUTX/X6	5535	1623	230	50	9.53	-40 °C + 60 °C	102
MVOUTX/X6	5535	1623	230	60	9.53	-40 °C + 60 °C	102
MVOUTX/X6	5535	1623	240	50	7.59	-40 °C + 60 °C	102
MVOUTX/X6	5535	1623	240	60	9.40	-40 °C + 60 °C	102
MVOUTX/X6	6568	1926	220	50	8.69	-40 °C + 60 °C	102
MVOUTX/X6	6568	1926	220	60	8.69	-40 °C + 60 °C	102
MVOUTX/X6	6568	1926	230	50	10.47	-40 °C + 60 °C	102
MVOUTX/X6	6568	1926	230	60	10.47	-40 °C + 60 °C	102
MVOUTX/X6	6568	1926	240	50	8.57	-40 °C + 60 °C	102
MVOUTX/X6	6568	1926	240	60	10.31	-40 °C + 60 °C	102
MVOUTX/X6	8579	2516	220	50	10.69	-40 °C + 60 °C	114
MVOUTX/X6	8579	2516	220	60	10.69	-40 °C + 60 °C	114
MVOUTX/X6	8579	2516	230	50	11.33	-40 °C + 60 °C	114
MVOUTX/X6	8579	2516	230	60	11.33	-40 °C + 60 °C	114
MVOUTX/X6	8579	2516	240	50	10.59	-40 °C + 60 °C	114
MVOUTX/X6	8579	2516	240	60	11.19	-40 °C + 60 °C	114
MVOUTX/X6	10967	3216	220	50	10.89	-40 °C + 60 °C	114
MVOUTX/X6	10967	3216	220	60	10.89	-40 °C + 60 °C	114
MVOUTX/X6	10967	3216	230	50	11.64	-40 °C + 60 °C	114
MVOUTX/X6	10967	3216	230	60	11.64	-40 °C + 60 °C	114
MVOUTX/X6	10967	3216	240	50	10.78	-40 °C + 60 °C	114
MVOUTX/X6	10967	3216	240	60	11.48	-40 °C + 60 °C	114
MVOUTX/X6	13008	3815	220	50	11.20	-40 °C + 60 °C	114
MVOUTX/X6	13008	3815	220	60	11.20	-40 °C + 60 °C	114
MVOUTX/X6	13008	3815	230	50	12.07	-40 °C + 60 °C	114
MVOUTX/X6	13008	3815	230	60	12.07	-40 °C + 60 °C	114
MVOUTX/X6	13008	3815	240	50	11.09	-40 °C + 60 °C	114
MVOUTX/X6	13008	3815	240	60	11.89	-40 °C + 60 °C	114



AMERICAN REGULATED REFRIGERATORS UL

Hazardous Locations:

Class I División 2

We have a wide range of refrigerators complying with American standards for UL hazardous locations:

- Third party certified by UL, ETL, and CSA for Class I Division 2 areas.
- Designed for purged and nonpurged enclosed systems.
- Available in 2,000 to 27,000 BTU Capacity.
- Designed for hazardous locations.



Example





Zones 2 and 22

REFRIGERATORS ATEX **VORTEX SERIES** IP66

The Atex Cooling System Vortex Needs a Compressed Air Source Always Ready to Respond



Example Vortex Luxorex system



Example Tribex Vortex system

The most economic Atex system to cool electrical panels ATEX & IECEx. Vortex enclosure coolers are designed specifically for purged electrical enclosures in ATEX zones 2 and 22 and temperature class T4 areas.

The Atex Vortex incorporates the most up-to-date features into Vortex's line of highly reliable, cost effective enclosure coolers.

▲ ADVANTAGES

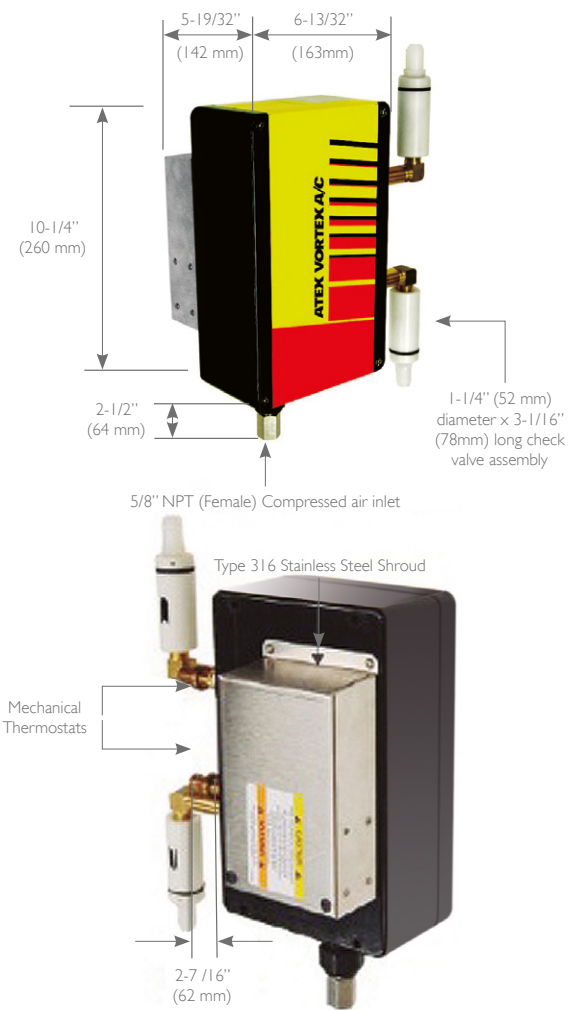
- Can be mounted on top or one side of the enclosure.
- Small to fits on any enclosure.
- Thermostatically controlled using a mechanical thermostat.
- Requires no wiring, can be installed (easily) in minutes.
- No ambient, dirty, or humid air enters the enclosure.
- Designed to cool environments quietly.
- Significantly lower costs, compared to ATEX Certified air conditioners.
- Contains no moving parts, resulting in very little required maintenance.
- Reduced energy use.
- 5 minute installation.
- Reduced noise levels.
- 62 dBA operation, 78% quieter than typical vortex coolers.

➔ [FOR MORE INFORMATION CLICK HERE](#)

REFRIGERATORS ATEX **VORTEX SERIES** IP66

TECNICAL DATA

- Ambient conditions
 - Ambient temperature: -20°C to 40°C.
 - Maintaining the temperature between: 26°C (80°F) and 35°C (95°F) using a mechanical thermostat.
 - Inlet air max temperature: 49°C.
- Data for applications in Connection with Ex-areas
 - EC type examination certificate EC:
 - EX II 3 GDT4.
 - Atex certified for: Zones 2 and 22.
 - Temperature classification: T4 Class.
- Directive conformity
 - Directive 94/9/EC: ENI 3463-1:2009.
- Internal approvals
 - UL approval.
 - cULus.
 - Class I, Division 2, groups A, B, C and D
 - Class II, Division 2, groups F and G; Class III.



The Atex cooling systems Vortex need a compressed air source always ready to respond.

REFERENCES

REFRIGERADOR ATEX VORTEX				
REFERENCES	COOLING CAPACITY		INCLUDE FILTER	THERMOSTAT
	BTU / HR	WATTS		
VORT900EXF	900	264	Yes	Mechanic
VORT900EX	900	264	No	Mechanic
VORT1500EXF	1500	440	Yes	Mechanic
VORT1500EX	1500	440	No	Mechanic
VORT2500EXF	2500	733	Yes	Mechanic
VORT2500EX	2500	733	No	Mechanic
VORT5000EXF	5000	1465	Yes	Mechanic
VORT5000EX	5000	1465	No	Mechanic

Note: "F" is added to the reference if carried filter:

Specifications are for 100 psig (6.9 bar) compressed air. Cold Air Ducting Kits and Cold Air Mufflers included.

Use of a purge system is required. Purge system and spark arrestor are not included.



HAZARDOUS AREA HEATER EX



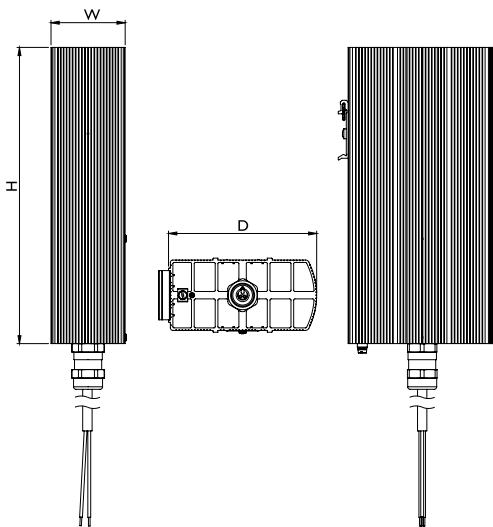
Example

Compact convection heater of temperature class T5 (100°C max.) for the prevention of formation of condensation, temperature fluctuations, and for protection against frost within control and switch cabinets, as well as measuring equipment located in areas with explosion hazard, underground mines or mines susceptible to firedamp.

ADVANTAGES

- Large convection surface.
- Ready-to-use with strain relief.
- Maintenance free.
- Temperature class T5.

PLAN AND REFERENCES



TECHNICAL FEATURES

- Heating element: high performance cartridge.
- Heating body: aluminium profile, silver anodised.
- Connection: silicone cable (halogen-free) 3 x 0.75mm².
- Connection PE: 0,75 to 2,5mm².
- Mounting clip for 35 mm DIN rail, EN 60715 for heating body size 120 x 60 mm; screw fixing with 2 plug-on flanges for all heating body sizes, optional widthwise mounting.
- Fitting position: vertical airflow.
- Ambient temperature: -60 to +50°C.
- Surface temperature max.: max. +100°C.
- Storage temperature: -60 to +85°C.
- Protection type IP66.
- Protection: Ex db IICT5 Gb, I M2 Ex db I Mb and Ex tb IIICT I 100°C Db IP66.
- Approvals Atex, IECEx and EAC.

HAZARDOUS AREA HEATERS EX

REFERENCES	TENSIÓN DE ALIMENTACIÓN / POTENCIA	DIMENSIONES (DxWxH)
RCEX050A	AC 230 V / 50W	120x60x180
RCEX050B	AC 120 V / 50W	120x60x180
RCEX100A	AC 230 V / 100W	160x80x300
RCEX100B	AC 120 V / 100W	160x80x300



HAZARDOUS AREA THERMOSTATS



Example

Compact, small mechanical thermostat offering a high response accuracy/time, small switch temperature difference, and a very long service life (switching cycles). This thermostat of temperature class T6 (85 ° max.) is utilised for the regulation of heaters within control and switch cabinets, as well as measuring equipment located in areas with explosion hazard, underground mines and mines susceptible to firedamp. The high switching performance allows for direct control of heaters.

ADVANTAGES

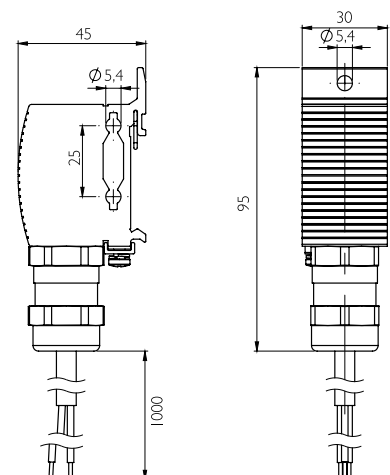
- High switching capacity.
- Ready-to-use with strain relief.
- Compact design.
- Temperature class T6.

TECHNICAL FEATURES

- Ex Protection type: Ex db IICT6 Gb, Ex tb IIIC T85°C Db IP66 and I M2 Ex db I Mb.
- Ambient temperature: -60 to +60 °C.
- Sensor element thermostatic bimetal.
- Service life > 100,000 cycles.
- Max. switching capacity: AC 250V 10 A I and DC 24V 1 A.
- Min. switching capacity DC 1.5V 5 mA.
- Max. inrush current AC 16 A for 12 sec.
- Connection silicone cable 3 x 1 mm².
- Connection PE: 1,0 a 2,5 mm².
- Fijación clip para carril de 35 mm DIN, EN 60715 fijación tornillos M5. Carcasa aluminio, anodizado plata.
- Dimensiones: 95 x 45 x 30 mm.
- Posición de montaje variable.
- Temperatura almacenamiento -60 a +85 °C.
- Grado de protección/Clase de protección IP66 / I (conductor de protección).
- Approvals Atex, IECEx and EAC.

PLAN AND REFERENCES

ATEXTHERMOSTATS				
REFERENCES	CABLE LENGTH	CONTACT TYPE (1-POLE)	SWITCH TEMPERATURE	SWITCH TEMPERATURE DIFFERENCE
THEX001	1 m	Contact breaker (NC)	+15 °C (±3 K tolerance)	5 K (±3 K tolerance)
THEX002			+25 °C (±3 K tolerance)	



Hazardous location air conditioners
ATEX & IECEx. Explosion-proof electrical
equipment for use in Hazardous
(classified) Locations Zone 1 & 2 and
designed for purged and non-purged
enclosure systems, also Class I, Division
2, Groups B, C, and D for hazardous
location applications.



SOLUTIONS FOR HAZARDOUS AREA



With over 50 years of experience in design, manufacture and supply of electrical high quality Atex & IECEX solutions

Atex Delvalle adapts to our clients' needs by offering Hazardous Area enclosures and boxes on demand. They are adapted to your specific requirements of installation and assembly, up to the last detail.

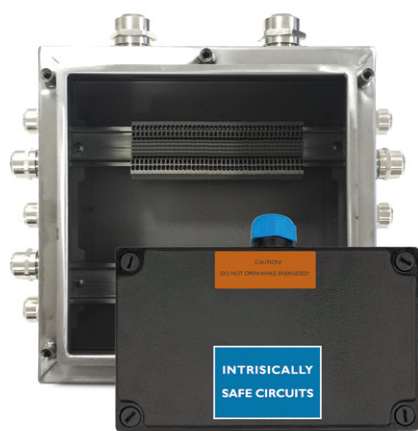
Atex Delvalle designs and manufactures a range of Hazardous Area enclosures; junction and terminal boxes, pressurized, flameproof Ex d and increased Safety Ex e Atex & IECEX compliant enclosures.



ATEX CABLE GLANDS



MOTOR STARTER & LOAD DISCONNECT SWITCHES



ATEX TERMINAL & JUNCTION BOXES



ATEX LIGHTING FIXTURE

HMI INDUSTRIAL PANELS WORKSTATIONS



FLAMEPROOF ENCLOSURES & PULLING BOXES



CONTROL STATIONS & DISTRIBUTION BOXES

Atex control boxes (Contrex Series), they are specially designed to perform checks, maneuvers and as actuators in explosive atmospheres. They have a rugged, corrosion system and finished in stainless steel or GRP polyester. It allows you to perform maneuvers and controls at the machine in hazardous areas and take programming and automation in a safe area. Offering customers a great combination of possibilities and flexibility. Select the component that best suits your operator panels, keypads, mushrooms, switches, ammeters... and you assemble all with Atex certified, Ex & IECEx and UL.



ENCLOSURES FOR CORROSION ENVIRONMENTS

PRESSURIZED PANELS & ATEX PURGE





HAZARDOUS AREA SOLUTIONS ATEX E IECEx



Paso del Prao, 6. 01320 Oyón (Álava). Spain
Telf. +34 945 601 381
atex@atexdelvalle.com | www.atexdelvalle.com

Contact us, we will be available at any time