



atex@atexdelvalle.com | www.atexdelvalle.com

ATEX LIGHTING JUNCTION BOXES



• WE ARE •
MANUFACTURERS
CERTIFIED



STOCK
Delivery Next Day



**Certified and just
ready to install**

Delvalle, wide experience in manufacturing solutions for hazardous area



WE PUT AT YOUR DISPOSAL

We offer over **50 years** providing hazardous area **solutions** to demanding customers who require very specific characteristics and behaviour according to the sector and their needs.

WHEREVER YOU GO

We are committed to working closely with our customers, providing them with exceptional service and offering an advanced and **extensive range of hazardous area products** with very competitive prices.

CONSULTING & ENGINEERING

Atex Delvalle adapts to our clients' needs by offering hazardous-area systems. Atex-delvalle are the leading certified assembler of Ex junction boxes, our **customized services**, **experienced design** and drafting 3D support.

HIGH STANDARD OF QUALITY AND SERVICES

We only use materials provided by companies who offer the very highest quality, suitable and certified products. Our success is due to **top quality** assurance: ISO 9001, SGS, UL, TÜV, ISO 14000, Ohsas 1800, Atex, IECEx.



100%
*Entirely designed
and manufactured
in Europe*



CONTACT US

Confidentiality, reliability & quality

www.atexdelvalle.com
atex@atexdelvalle.com
+34 945 601 381

ALSO ONLINE



Please contact our technical sales department.

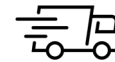
A team of professionals with high experience and ability to solve all your queries.





Zones 1, 2, 21 and 22

STOCK GRP LIGHTING JUNCTION BOX



STOCK
Delivery Next Day



**Certified and just
ready to install**

Atex lighting junction boxes are made of a fiberglass reinforced polyamide box ready for installation in explosive atmospheres 1, 2, 21 and 22.

Its characteristic design makes it a sturdy, anti-corrosion, IP66 waterproof Atex case with preassembled 8 terminals and 4 stopping plugs M20.

We deliver the lighting junction box with terminals installed and final certified, ready for placement and in stock for delivery so you do not have to worry about anything.

CE Marking: II 2GD Ex db eb ib mb IICT5 Gb - Ex ib tb IIICT95°C Db.



STOCK GRP LIGHTING JUNCTION BOX

FEATURES

- This preassembled lighting junction box is certified and ready for installation.
- Incorporated in the inside 8 screw terminals and 4 stopping plugs M20.
- Enclosure of black color made of polyester, reinforced resistant with glass fiber and provided with silicone gasket.
- Zones 1, 2, 21 and 22 can be used in areas subject to explosion hazards and to be installed in Ex-components and terminals.
- Certified IECEx, Atex and TUV.



MECHANICAL PARTS
GUARANTEE

ADVANTAGES

- In stock, delivery time of 24 hours.
- Certified and just ready to install.
- Mount included.
- The access to the interior is facilitated thanks to the fixing of the cover with screws of easy placement.
- Inputs and outputs of cables are made using Atex cable glands, which can be made of polyamide, nickel plated brass or stainless steel for corrosive areas (optionally).

CABLE GLANDS EX D/E

Cable glands Atex made by Delvalle are used for passing, holding and compressing cables between two compartments, such as junction boxes, cabinets, electrical boxes or devices requiring sealing against dust, dirt or water.

- Cable glands Atex polyamide.
- Cable glands nickel-plated.
- Cable glands unarmoured.
- Cable glands stainless steel AISI 303 / AISI 316.
- Barrier cable glands.
- Plugs polyamide, nickel-plated and stainless steel.
- Ex air vent plug breather and drainage valves.

STOCK GRP LIGHTING JUNCTION BOX

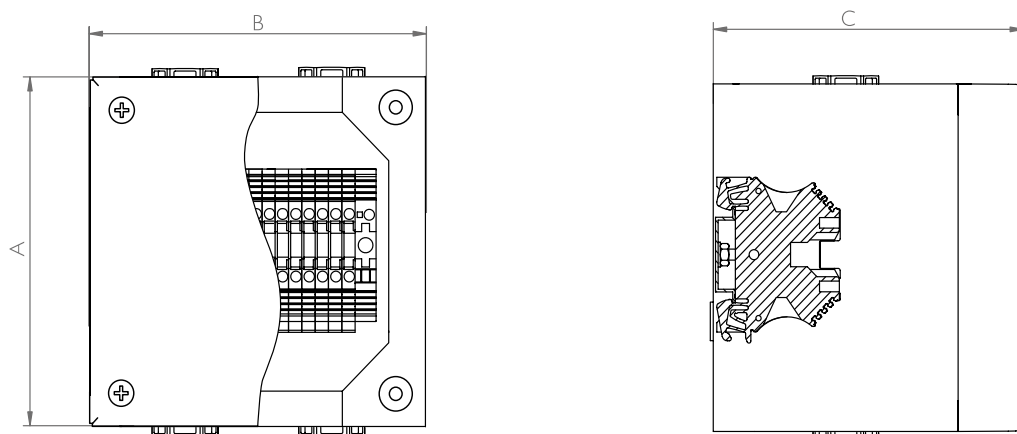
NORMATIVE

All explosion protection solutions manufactured by Atex Delvalle comply with Ex Atex, IECEx and TUV certifications.

They have undergone tests to verify their viability and technical solvency.

- Zones 1, 2, 21 and 22
- Degree of protection IP65
- Certificates number:
 - IECEx CML 19.0088X
 - CML 19 ATEX 3303X
- Type protection:
 - II 2GD Ex db eb ib mb IICT5 Gb
 - Ex ib tb IIIC T95°C Db
- Standard:
 - Directive 2014/34/EU
- Ambient temperature:
 - $-40^{\circ}\text{C} < T_a < +40/55^{\circ}\text{C}$

PLANS



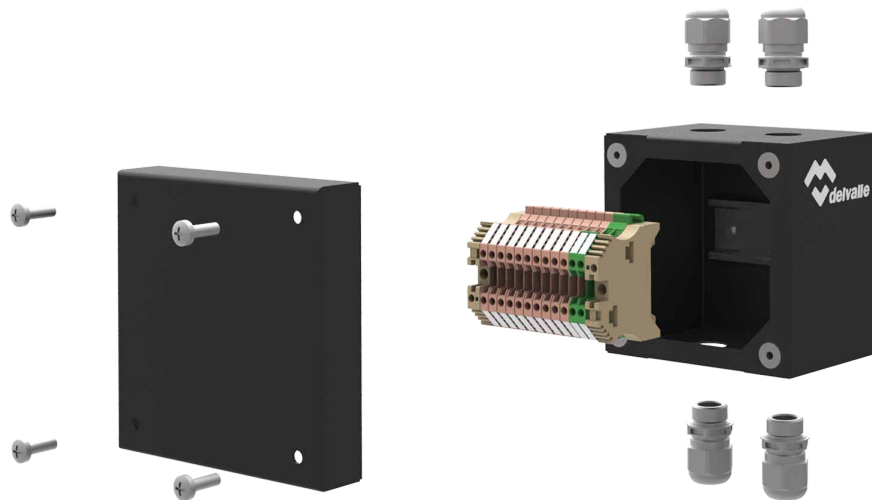
REFERENCE

REFERENCE	DIMENSIONS (mm)					HOLES	
	MEASURES (mm)			N° OF TERMINALS		STOPPING PLUGS	
STOCK GRP LIGHTING JUNCTION BOX	HEIGHT -A-	WIDHT -B-	DEPTH -C-	TERMINALS	GROUND TERMINALS	UNIT	METRIC
DVT2001GRP002	122	122	96	8	1	4	M20



Zones 1, 2, 21 and 22

ATEX GRP LIGHTING JUNCTION BOXES



Certified and just ready to install

5 YEARS

MECHANICAL PARTS GUARANTEE

Atex lighting junction boxes is made a fiberglass reinforced polyamide box ready for installation in explosive atmospheres 1, 2, 21 and 22.

The terminals / terminals are mounted on a DIN rail and the inputs and outputs of cables are made using Atex cable glands; which can be made of polyamide, nickel plated brass or stainless steel to be chosen for corrosive areas.

This preassembled terminal box is certified and ready for installation in zones 1, 2, 21 and 22.

CE Marking: II 2GD Ex db eb ib mb IICT5 Gb - Ex ib tb IIICT95°C Db.

FEATURES

- This preassembled lighting junction box is certified and ready for installation in zones 1, 2, 21 and 22.
- Enclosure of black color made of polyester; reinforced resistant with glass fiber and provided with silicone gasket.
- Four models or dimensions available.
- Incorporated in the inside 8, 15 or 20 screw terminals mounted on DIN rail.
- Inputs and outputs of cables are made using Atex cable glands, which can be made of polyamide, nickel plated brass or stainless steel for corrosive areas (optionally).
- Certified IECEx, Atex and TUV.



ATEX GRP LIGHTING JUNCTION BOXES



ADVANTAGES

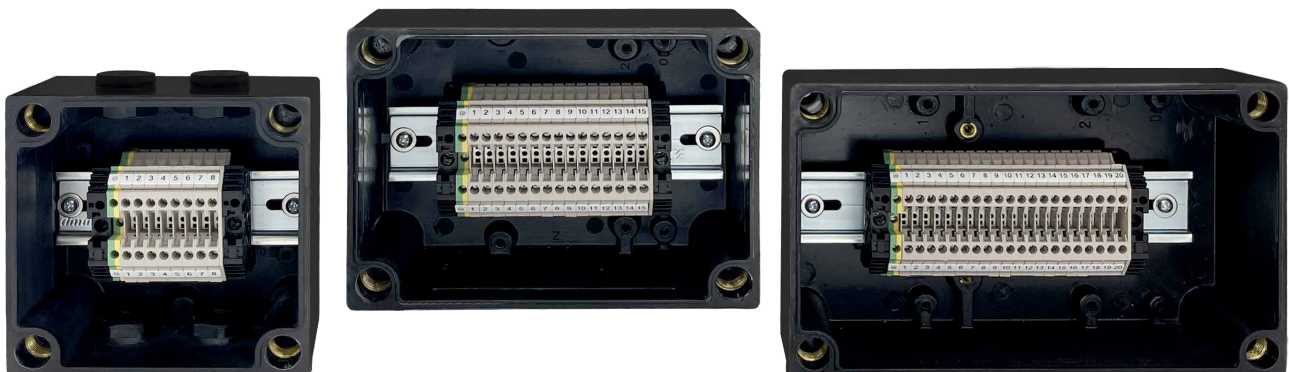
- Unbeatable delivery time.
- Save time and cost savings.
- Just ready to install.
- Enclosure of black color made of polyester, reinforced resistant with glass fiber and provided with silicone gasket.
- Zones 1, 2, 21 and 22 can be used in areas subject to explosion hazardous.
- Certified IECEx, Atex and TUV.



CABLE GLANDS EX D/E

Cable glands Atex made by Delvalle are used for passing, holding and compressing cables between two compartments, such as junction boxes, cabinets, electrical boxes or devices requiring sealing against dust, dirt or water.

- Cable glands Atex polyamide.
- Cable glands nickel-plated.
- Cable glands unarmoured.
- Cable glands stainless steel AISI 303 / AISI 316.
- Barrier cable glands.
- Plugs polyamide, nickel-plated and stainless steel.
- Ex air vent plug breather and drainage valves.



ATEX GRP LIGHTING JUNCTION BOXES

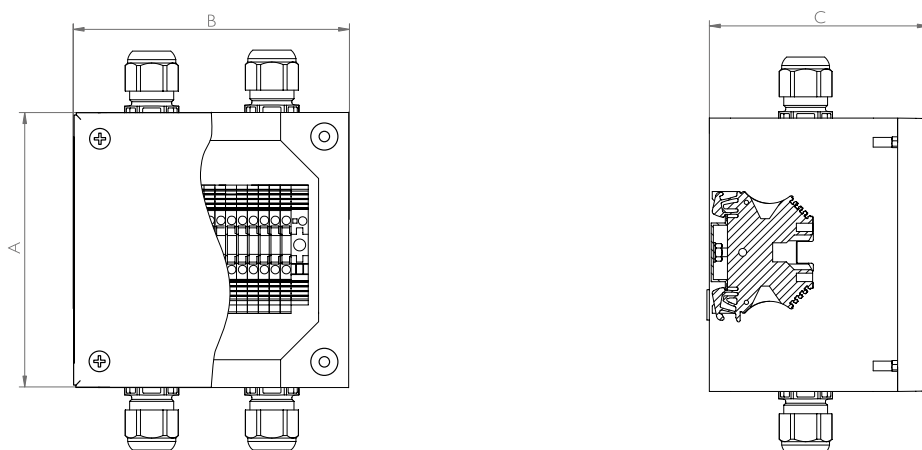
NORMATIVE

All explosion protection solutions manufactured by Atex Delvalle comply with Ex Atex, IECEx and TUV certifications.

They have undergone tests to verify their viability and technical solvency.

- Zones 1, 2, 21 and 22
- Degree of protection IP65
- Certificates number:
 - IECEx CML 19.0088X
 - CML 19 ATEX 3303X
- Type protection:
 - II 2GD Ex db eb ib mb IICT5 Gb
 - Ex ib tb IIICT95°C Db
- Standard:
 - Directive 2014/34/EU
- Ambient temperature:
 - $-40^{\circ}\text{C} < T_a < +40/55^{\circ}\text{C}$

PLANS



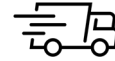
REFERENCES

REFERENCES	DIMENSIONS (mm)				
	MEASURES (mm)			N° DETERMINALS	
ATEX GRP LIGHTING JUNCTION BOXES	HEIGHT -A-	WIDTH -B-	DEPTH -C-	TERMINALS	GROUNDS TERMINALS
DVT2001GRP001	122	122	96	8	1
DVT2011GRP001	122	172	96	15	1
DVT2031GRP001	134	220	96	20	1
DVT2032GRP001	134	220	141	20	1



Zones 1, 2, 21 and 22

STOCK STAINLESS STEEL LIGHTING JUNCTION BOX



STOCK
Delivery Next Day



Certified and just ready to install

Stainless steel Atex lighting junction boxes terminals are pre-assembled with terminals and stopping plugs; standardized, certified and ready for installation in explosive or corrosive areas 1, 2, 21 and 22.

Its characteristic design makes it, a sturdy, anti-corrosion, IP66 waterproof Atex case with preassembled 8 terminals and 4 stopping plugs M20.

We deliver the lighting junction box with terminals installed and final certified, ready for placement and in stock for delivery so you do not have to worry about anything.

CE Marking: II2G Ex eb IIC Gb - II2D Ex tb IIIC Db IP66.



STOCK STAINLESS STEEL LIGHTING JUNCTION BOX

FEATURES

- Atex boxes made of stainless steel AISI 304L, robust and anticorrosive, represent our most solvent bet due to its functionality, design and sealing to incorporate all types of Ex terminals.
- Incorporated in the inside 8 screw terminals and 4 stopping plugs M20.
- Access to the inside is facilitated thanks to the fastening of the cover with easy-to-install screws.
- Subject to the stringent tests prescribed in IEC 60079-7 in the premises of a Notified Body.
- External grounding of metric M6.
- Thickness 1.2mm (depending on boxes).
- Zones 1, 2, 21 and 22 can be used in areas subject to explosion hazards and to be installed in Ex-components and terminals.
- Certified CE, Atex and IECEx.



ADVANTAGES

- In stock, delivery time of 24 hours.
- Certified and just ready to install.
- Mount included.
- The access to the interior is facilitated thanks to the fixing of the cover with screws of easy placement.
- Marine water resistant (option AISI 316L).



TYPE OF PROTECTION

This Atex lighting junction box is certified for use in potentially explosive atmospheres in zones 1, 2, 21 and 22 and may be used with an extended safety protection mode "Ex e" including increased safety connection terminals or with mode Protection "Ex t".

- Empty Envelope Certified:
LOM I4ATEX3028U
- Terbox Certified:
LOM I4ATEX2082
- Quality certificate:
LOM I4ATEX9050
- II 2G Ex eb IICT6 / T5 Gb
- II 2D Ex tb IICT85 ° C / 100 ° C Db
- Degree of resistance against impact IK10.
- IP66 protection,

STOCK STAINLESS STEEL LIGHTING JUNCTION BOX

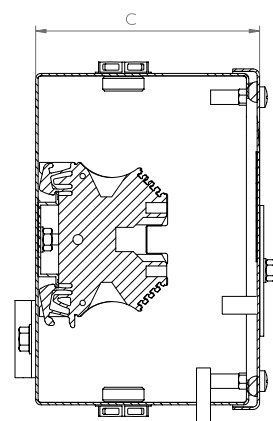
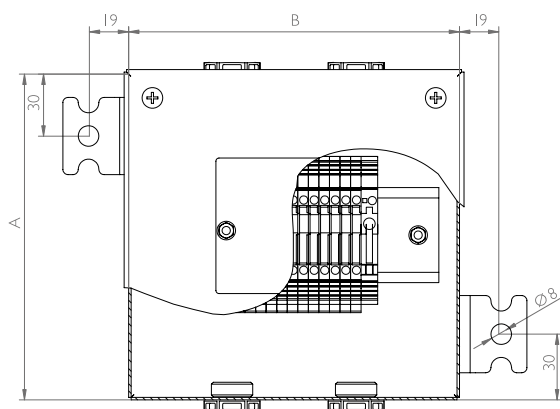
NORMATIVE

All explosion protection solutions manufactured by Atex Delvalle comply with Ex Atex, IECEx and UL certifications.

They have undergone tests to verify their viability and technical solvency.

- Agreement with our Atex certificates for empty envelopes:
 - II2G Ex e IIC Gb
 - II2D Ex tb IIIC Db IP66
- Agreement with our certificates for boxes with terminals:
 - II2G Ex e IICT6/5 Gb
 - II2D Ex tb IIICT85/100°C Db IP66
- Degree of protection IP66 according to IEC 60529.
- Complies with IP Anticorrosion Standard (x) 66.
- Degree of IK10 according to IEC 62262.
- Approved by Directive 2014/34/EU.
- EN 60079-0:2012
- EN 60079-7:2015
- EN 60079-31:2014
- Working temperature (ambient) -25° a +60°C.
- Voltage range: max. 1100V and current range: max. 350A (depending on the types of terminals and Ex components used).

PLANS



REFERENCE

REFERENCE	DIMENSIONS (mm)					HOLES	
	MEASURES (mm)			N° OF TERMINALS		STOPPING PLUGS	
STOCK STAINLESS STEEL LIGHTING JUNCTION BOX	HEIGHT -A-	WIDHT -B-	DEPTH -C-	TERMINALS	GROUND TERMINALS	UNIT	METRIC
GEOTB121290EX002	125	125	90	8	1	4	M20



Zones 1, 2, 21 and 22

STAINLESS STEEL LIGHTING JUNCTION BOXES



Stainless steel Atex lighting junction boxes terminals are pre-assembled with terminals and cable glands; standardized, certified and ready for installation in explosive or corrosive areas 1, 2, 21 and 22.

Its characteristic design makes it, a sturdy, anti-corrosion, IP66 waterproof Atex case with preassembled terminals and cable glands or plugs to choose from in stainless steel, nickel plated brass or plastic.

Atex & IECEx certified and ready for use in explosive atmospheres zones 1, 2, 21 and 22, are robust and anti-corrosive. We deliver the terminal box with terminals installed on numbered DIN rail, with their glands mounted (material to be chosen) and final certified, ready for placement and in stock for delivery so you do not have to worry about anything.

CE Marking: II2G Ex eb IIC Gb - II2D Ex tb IIIC Db IP66.

FEATURES

- Pre-assembled Atex boxes made of stainless steel AISI 304L, robust and anticorrosive, represent our most solvent bet due to its functionality, design and sealing to incorporate all types of Ex terminals.
- Incorporated in the inside 8, 15 or 20 screw terminals (2,5 mm²) mounted on DIN rail.
- Zones 1, 2, 21 and 22 can be used in areas subject to explosion hazards and to be installed in Ex-components and terminals.
- Certified CE, Atex and IECEx.
- Access to the inside is facilitated thanks to the fastening of the cover with easy-to-install screws.
- Subject to the stringent tests prescribed in IEC 60079-7 in the premises of a Notified Body.
- External grounding of metric M6.
- Thickness 1.2mm (depending on boxes).

STAINLESS STEEL LIGHTING JUNCTION BOXES

5
YEARS

MECHANICAL PARTS
GUARANTEE

10
YEARS

STAINLESS
ANTICORROSIVE
GUARANTEE



ADVANTAGES

- Unbeatable delivery time.
- Save time and cost savings.
- Just ready to install.
- Inputs and outputs can be defined based on project needs.
- The access to the interior is facilitated thanks to the fixing of the cover with screws of easy placement.
- Option incorporated 8, 15 or 20 screw terminals.

OPTIONS

- Possibility to choose the material of stuffing box: stainless steel, brass, polyester,... As well as the type of cable: armed or unarmed or plugs.
- Marine water resistant (AISI 316L).

TYPE OF PROTECTION

This Atex lighting junction box is certified for use in potentially explosive atmospheres in zones 1, 2, 21 and 22 and may be used with an extended safety protection mode "Ex e" including increased safety connection terminals or with mode Protection "Ex t".

- Empty Envelope Certified:
LOM I4ATEX3028U
- Terbox Certified:
LOM I4ATEX2082
- Quality certificate:
LOM I4ATEX9050
- II 2G Ex eb IICT6 / T5 Gb
- II 2D Ex tb IIIC T85 ° C / 100 ° C Db
- Degree of resistance against impact IK10.
- IP66 protection.



STAINLESS STEEL LIGHTING JUNCTION BOXES

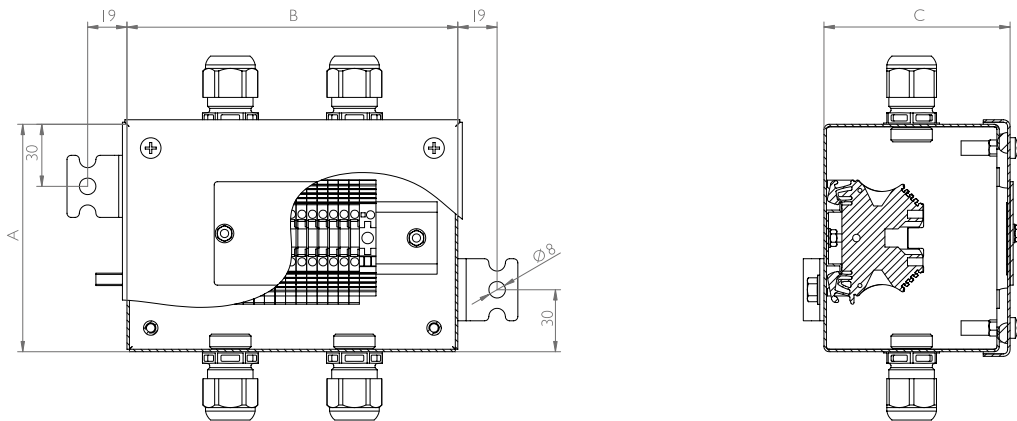
NORMATIVE

All explosion protection solutions manufactured by Atex Delvalle comply with Ex Atex, IECEx and UL certifications.

They have undergone tests to verify their viability and technical solvency.

- Agreement with our Atex certificates for empty envelopes:
 - II2G Ex e IIC Gb
 - II2D Ex tb IIIC Db IP66
- Agreement with our certificates for boxes with terminals:
 - II2G Ex e IICT6/5 Gb
 - II2D Ex tb IICT85/100°C Db IP66
- Degree of protection IP66 according to IEC 60529.
- Complies with IP Anticorrosion Standard (x) 66.
- Degree of IK10 according to IEC 62262.
- Approved by Directive 2014/34/EU.
- EN 60079-0:2012
- EN 60079-7:2015
- EN 60079-31:2014
- Working temperature (ambient) -25° a +60°C.
- Voltage range: max. 1100V and current range: max. 350A (depending on the types of terminals and Ex components used).

PLANS



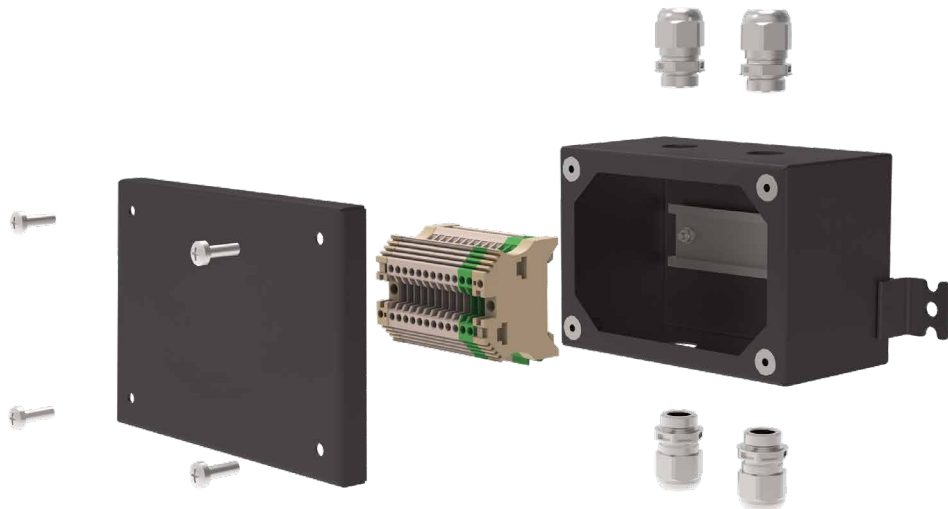
REFERENCES

REFERENCES	DIMENSIONS (mm)				
	MEASURES (mm)			N° DETERMINALS	
	HEIGHT -A-	WIDTH -B-	DEPTH -C-	TERMINALS	GROUNDS TERMINALS
GEOTB121290EX001	125	125	90	8	1
GEOTB131890EX001	180	130	90	15	1
GEOTB142290EX001	220	140	90	20	1



Zones 1, 2, 21 and 22

GALVANIZED STEEL LIGHTING JUNCTION BOXES



Certified and just ready to install

5 YEARS

MECHANICAL PARTS GUARANTEE

Atex lighting junction boxes galvanized steel terminals are pre-assembled with terminals and cable glands; standardized, certified and ready for installation in explosive or corrosive areas 1, 2, 21 and 22.

They have a rugged, anti-corrosion system and finished, painted galvanized steel surface finish in RAL 9005.

We deliver the lighting junction box with terminals installed on numbered DIN rail, with their glands mounted (material to be chosen) and final certified, ready for placement and in stock for delivery so you do not have to worry about anything.

CE Marking: II2G Ex eb IIC Gb - II2D Ex tb IIIC Db IP66.

FEATURES

- Pre-installed Atex boxes made of painted galvanized steel surface finish in RAL 9005, robust and anticorrosive, represent our most solvent bet due to its functionality, design and sealing to incorporate all types of Ex terminals.
- Access to the inside is facilitated thanks to the fastening of the cover with easy-to-install screws.
- Incorporated in the inside 8, 15 or 20 screw terminals (2,5 mm²) mounted on DIN rail.
- Access to the inside is facilitated thanks to the fastening of the cover with easy-to-install screws.
- Subject to the stringent tests prescribed in IEC 60079-7 in the premises of a Notified Body.
- Zones 1, 2, 21 and 22 can be used in areas subject to explosion hazardous and to be installed in Ex-components and terminals.
- Certified IECEx, Atex and UL

GALVANIZED STEEL LIGHTING JUNCTION BOXES



ADVANTAGES

- Unbeatable delivery time.
- Save time and cost savings.
- Just ready to install.
- Inputs and outputs can be defined based on project needs.
- Made of painted galvanized steel surface finish in RAL 9005
- Zones I, 2, 21 and 22 can be used in areas subject to explosion hazardous.
- Certified IECEx, Atex and UL

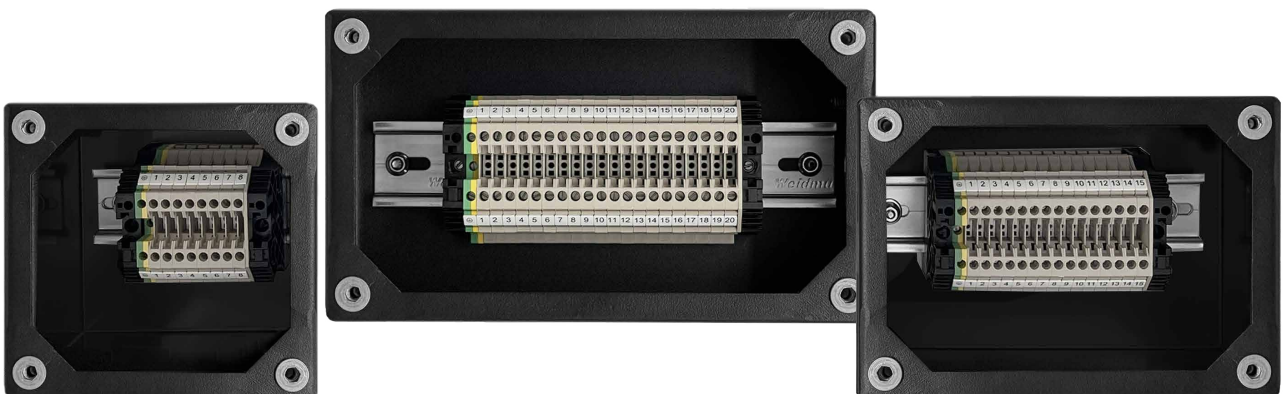


MECHANICAL PARTS
GUARANTEE

CABLE GLANDS EX D/E

Cable glands Atex made by Delvalle are used for passing, holding and compressing cables between two compartments, such as junction boxes, cabinets, electrical boxes or devices requiring sealing against dust, dirt or water.

- Cable glands Atex polyamide.
- Cable glands nickel-plated.
- Cable glands unarmoured.
- Cable glands stainless steel AISI 303 / AISI 316.
- Barrier cable glands.
- Plugs polyamide, nickel-plated and stainless steel.
- Ex air vent plug breather and drainage valves.



GALVANIZED STEEL LIGHTING JUNCTION BOXES

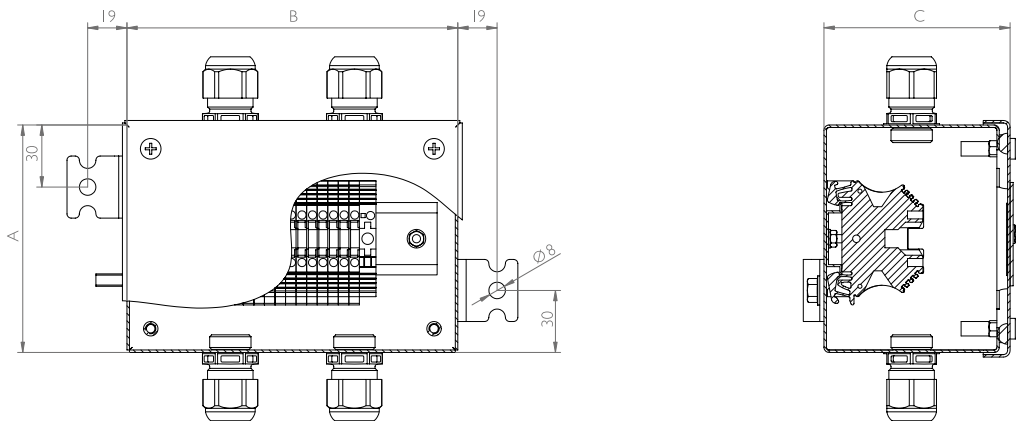
NORMATIVE

All explosion protection solutions manufactured by Atex Delvalle comply with IECEx, Atex and UL certifications.

They have undergone tests to verify their viability and technical solvency.

- Certificates number:
 - LOM I4ATEX2082
 - IECEx LOM I8.0001X
- Type protection:
 - II2G Ex d e II... T... Gb
 - II2G Ex e mb II.. T.. Gb
 - II2G Ex d e mb II... T... Gb
 - II2D Ex t III... T... °C Db
 - III/2G Ex ia/ib II* T6 Ga/Gb
 - III/2D Ex ia/ib IICT85°C Da/Db
- Standard:
 - Directive 2014/34/UE
 - EN 60079-0:2012
 - EN 60079-7:2007
 - EN 60079-31:2014
 - IEC 60079-0:2011
 - IEC 60079-7:2015
 - IEC 60079-31:2013
- Working temperature (ambient)
 - 25° a +60°C.
- Voltage range: max. 1100V and current range: max. 350A (depending on the types of terminals and Ex components used).

PLANS



REFERENCES

REFERENCES	DIMENSIONS (mm)				
	MEASURES (mm)			N° DETERMINALS	
	HEIGHT -A-	WIDTH -B-	DEPTH -C-	TERMINALS	GROUNDS TERMINALS
GEOCSG12I290EX001	120	120	90	8	1
GEOCSG18I290EX001	180	120	90	15	1
GEOCSG22I490EX001	220	140	90	20	1

SOLUTIONS FOR HAZARDOUS AREA

With over 50 years of experience in design, manufacture and supply of electrical high quality Atex & IECEX solutions

Atex Delvalle adapts to our clients' needs by offering Hazardous Area enclosures and boxes on demand. They are adapted to your specific requirements of installation and assembly, up to the last detail.

Atex Delvalle designs and manufactures a range of Hazardous Area enclosures; junction and terminal boxes, pressurized, flameproof Ex d and increased Safety Ex e Atex & IECEX compliant enclosures.



ATEX CABLE GLANDS



MOTOR STARTER & LOAD DISCONNECT SWITCHES



ATEX TERMINAL & JUNCTION BOXES



ATEX LIGHTING FIXTURE



FLAMEPROOF ENCLOSURES & PULLING BOXES

HMI INDUSTRIAL PANELS WORKSTATIONS



CONTROL STATIONS & DISTRIBUTION BOXES

Atex control boxes (Contrex Series), they are specially designed to perform checks, maneuvers and as actuators in explosive atmospheres. They have a rugged, corrosion system and finished in stainless steel or GRP polyester. It allows you to perform maneuvers and controls at the machine in hazardous areas and take programming and automation in a safe area. Offering customers a great combination of possibilities and flexibility. Select the component that best suits your operator panels, keypads, mushrooms, switches, ammeters... and you assemble all with Atex certified, Ex & IECEx and UL.



ENCLOSURES FOR CORROSION ENVIRONMENTS

PRESSURIZED PANELS & ATEX PURGE





HAZARDOUS AREA SOLUTIONS ATEX E IECEX



Paso del Prao, 6. 01320 Oyón (Álava). Spain
Telf. +34 945 601 381
atex@atexdelvalle.com | www.atexdelvalle.com

Contacta con nosotros, estamos a su disposición