

Zones 1, 2, 21 and 22

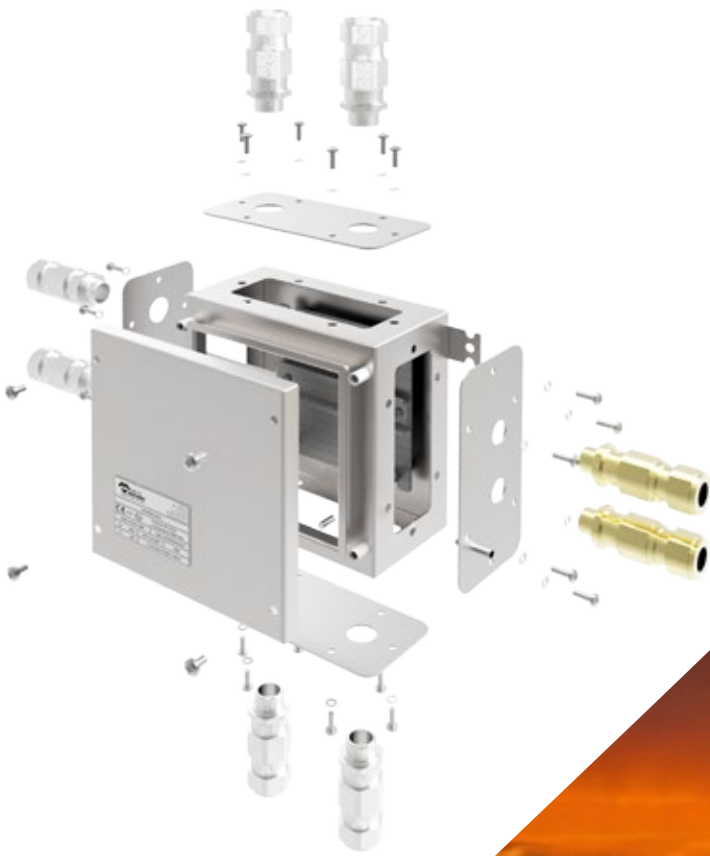


HAZARDOUS AREA SOLUTIONS

atex@atexdelvalle.com | www.atexdelvalle.com

# GLAND PLATE EX TERMINAL BOXES

## TERBOX SERIES



IT'S EASY DISASSEMBLY

# Delvalle, wide experience in manufacturing solutions for hazardous area



## WE PUT AT YOUR DISPOSAL

We offer over **45 years** providing hazardous area **solutions** to demanding customers who require very specific characteristics and behaviour according to the sector and their needs.

## WHEREVER YOU GO

We are committed to working closely with our customers, providing them with exceptional service and offering an advanced and **extensive range of hazardous area products** with very competitive prices.

## CONSULTING & ENGINEERING

Atex Delvalle adapts to our clients' needs by offering hazardous-area systems.  
Certified Junction Box Assembly.  
Atex-delvalle are the leading certified assembler of Ex junction boxes. With an extensive stock holding of stainless steel enclosures, our workshops are able to provide unrivalled competence, expertise, quality and service to customer specifications.  
Our customized services, experienced design and drafting 3D support.

## HIGH STANDARD OF QUALITY AND SERVICES

We only use materials provided by companies who offer the very highest quality, suitable and certified products. Our success is due to **top quality** assurance:  
ISO 9001, SGS, UL, TÜV, ISO 14000, Ohsas 18001, **ATEX, IECEx.**



## CONTACT US

Confidentiality, reliability & quality

[www.atexdelvalle.com](http://www.atexdelvalle.com)  
[atex@atexdelvalle.com](mailto:atex@atexdelvalle.com)  
+34 945 601 381

ALSO ONLINE

Please contact our technical sales department.

A team of professionals with high experience and ability to solve all your queries.

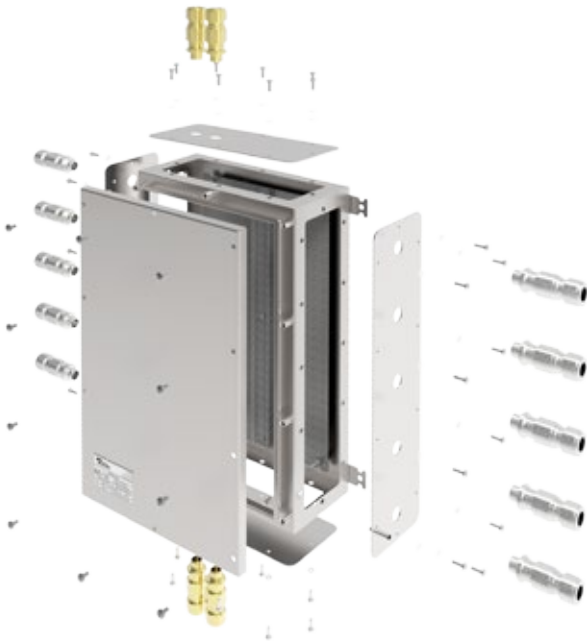


**Zones 1, 2, 21 and 22**

# GLAND PLATE EX TERMINAL BOXES TERBOX SERIES



Examples



**It's Easy Disassembly  
that are Subject  
by Means of Screws**

The Ex terminal boxes, Terbox Series include a removable cable gland plate, being useful and effective in advance to place and mechanize the different holes for cable glands and even keypads.

This equipment consists in a waterproof IP65, robust, safe and corrosion resistant Ex terminal box, which has been specially designed to the customer's specifications to perform the product and can deliver it in a record time.

These terminal boxes are placement in areas whereas a corrosive and hazardous areas.

In this terminal boxes you can put terminals, keypads, cable glands perform controls and maneuvers in explosive atmospheres, according to customer's specifications and be delivered with Atex final product certificate.

It's design, offers custom made terminal boxes, the exact placement of the holes and glands in the cable gland lug. It's easy disassembly that are subject by means of screws.



**FOR MORE INFORMATION CLICK HERE**



## TECHNICAL CHARACTERISTICS

- Ex Terminal boxes manufactured of stainless steel AISI 304L or AISI 316L marine corrosion resistant and polished elegant surface finish.
- They are intended for use in explosive atmospheres listed as zones 1, 2, 21 and 22 and to place Ex components, terminals inside, as well as cable glands and keypads.
- Large inside space that simplifies connection operations.
- Great robustness, safety and resistance in the most aggressive environments.
- Monobloc construction that achieves a perfect seal (IP65 minimum tightness) and IK10 impact resistance.
- Preassembled body and cover:
- Corrosion resistant guaranteed.
- Standard screws in stainless steel AISI 316L.
- Multiple access option (cable lids on all four sides).

## OPTIONS

- You can choose 3 different models cable gland boxes.
- We manufacture with waterproof and ATEX & IECEx certifications.
- The terminal boxes can be used with increased safety protection mode "Ex e" including increased safety connection terminals or "Ex t" enclosure protection mode.
- Terminal boxes used with enclosure protection mode.
- These control stations may be used for connection of intrinsically safe circuits.
- 3D design and layout of custom components.
- The product offers the possibility to use ATEX cable glands, as well as Roxtec cable entry systems.
- It is in stainless steel material grade AISI 304L, AISI 316L and polyester painted galvanized steel sheet.
- Materials available: AISI 304L and AISI 316L for maritime and corrosive environments.



## ADVANTAGES

- Customized design and execution of cable gland's accessories.
- Available in stock for express delivery.
- Easily disassembly and be possible modify the design during its assembly.
- Optimized functionality thanks to a wide range of integrated equipment
- Polished finish on all sides.
- Simplify cable gland's opening, to perform our product.
- Quick delivery in the goods, amount of boxes in stock.
- Versatility of the product compare to other types of Terminal boxes, cause being customized adapts better to owner's needs.
- Robustness, security, guaranteed reliability.
- IECEx components already installed inside.
- Anti-corrosion protection guaranteed.
- Great safety and resistance in the most aggressive explosive environments thanks to the design and the materials used in its manufacture.

# GLAND PLATE EX TERMINAL BOXES **TERBOX SERIES**

## PROTECTION MODE

This enclosure is certified for use in potentially explosive atmospheres in zones 1, 2, 21 and 22 and may be used with increased safety protection mode "Ex e" including increased safety connection terminals or enclosure protection mode "Ex tb".

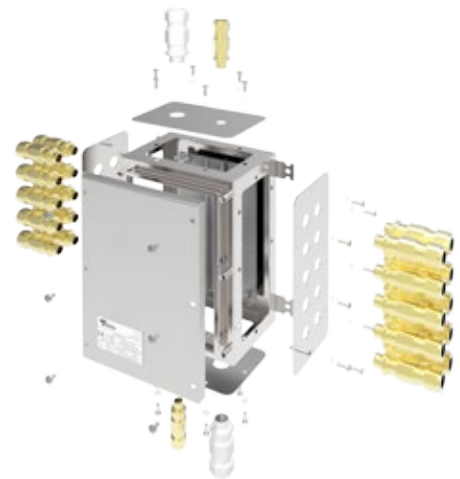
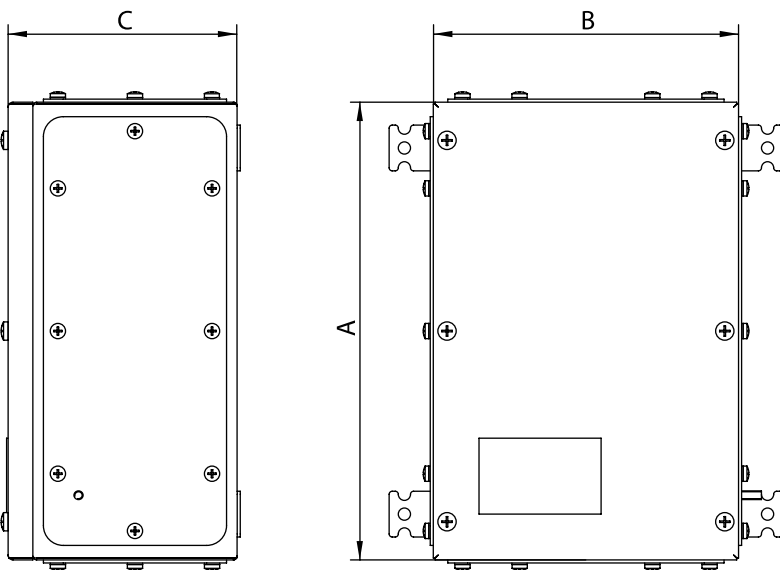
- Atex protection mode:
  - II2G Ex e IICT6/T5 Gb
  - II2D Ex tb IICT6/T5 Db
- IECEx protection mode:
  - Ex e IICT6/T5 Gb
  - Ex tb IICT6/T5 Db
  - Degree of resistance against impact IK10
  - IP65 protection

## NORMATIVA

Atex & IECEx directive and regulations:

- Certificate of the envelope as a component:
  - LOM I4ATEX2082
- Atex directive 2014/34 / EU
- IP65 according to IEC Standard EN 60529.
- Degree of resistance against impact IK10 according to standard IEC 62262.
- EN 60079-7: 2007
- EN 60079-31: 2014
- EN-EN 60079-0: 2012
- Complies with RoHs regulations.

## BLUEPRINT AND REFERENCES



REFERENCES	DIMENSIONS (mm)		
GLAND PLATE EX TERMINAL BOXES	HEIGHT -A-	WIDTH -B-	DEPTH -C-
GEOTB202012EX	200	200	120
GEOTB302015EX	300	200	150
GEOTB503015EX	500	300	150



## DELVALLE OFFERS OTHER SOLUTIONS ATEX & IECEX

➔ [CLICK HERE AND DISCOVER ALL SOLUTIONS](#)

### ATEX TERMINAL BOXES TERBOX SERIES



### EX LOCAL CONTROL & DISTRIBUTION BOXES CONTREX SERIES



### PLUG AND SOCKET BOXES CONNEX SERIES



### FLAMEPROOF CONNECTION BOXES EJB SERIES



### EX LIGHTING FIXTURE ATEX



### PRESSURIZED ENCLOSURE EX P PEPPEX SERIES



# DELVALLE OFFERS OTHER SOLUTIONS ATEX & IECEX

➔ [CLICK HERE AND DISCOVER ALL SOLUTIONS](#)

## EX CABLE GLANDS ATEX & IECEX



## MOTOR AND SWITCH MACHINES ATEX & IECEX



## EX PUSH BUTTON STATION CONTREX SERIES



## INDUSTRIAL WORKSTATIONS & HMI'S ATEX



## EX 19" RACK ATEX

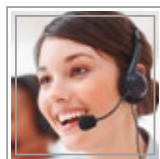


## HAZARDOUS WIRELESS & ANTENNA SYSTEMS ATEX





/ FLEXIBLE ATEX & IECEX SOLUTIONS



Paso del Prao, 6. 01320 Oyón (Álava), Spain  
Telf. +34 945 601 381  
[www.atexdelvalle.com](http://www.atexdelvalle.com) - [atex@atexdelvalle.com](mailto:atex@atexdelvalle.com)

Contact us, we will be available at any time