



atex@atexdelvalle.com | www.atexdelvalle.com

AC CONTACTOR MODULES

ATEX & IECEX IP66

10
YEARS

STAINLESS
ANTICORROSIVE
GUARANTEE

5
YEARS

MECHANICAL PARTS
GUARANTEE



Delvalle, wide experience in manufacturing solutions for hazardous area



WE PUT AT YOUR DISPOSAL

We offer over **45 years** providing hazardous area **solutions** to demanding customers who require very specific characteristics and behaviour according to the sector and their needs.

WHEREVER YOU GO

We are committed to working closely with our customers, providing them with exceptional service and offering an advanced and **extensive range of hazardous area products** with very competitive prices.

CONSULTING & ENGINEERING

Atex Delvalle adapts to our clients' needs by offering hazardous-area systems. Certified Junction Box Assembly. Atex-delvalle are the leading certified assembler of Ex junction boxes. With an extensive stock holding of stainless steel enclosures, our workshops are able to provide unrivalled competence, expertise, quality and service to customer specifications. Our customized services, experienced design and drafting 3D support.

HIGH STANDARD OF QUALITY AND SERVICES

We only use materials provided by companies who offer the very highest quality, suitable and certified products. Our success is due to **top quality** assurance: ISO 9001, SGS, UL, TÜV, ISO 14000, Ohsas 18001, ATEX, IECEx.



CONTACT US

Confidentiality, reliability & quality

www.atexdelvalle.com
atex@atexdelvalle.com
+34 945 601 381

ALSO ONLINE



Please contact our technical sales department.

A team of professionals with high experience and ability to solve all your queries.





Zones 1, 2, 21 and 22

AC CONTACTOR MODULES

ATEX & IECEX IP66

Device Designed to Control Circuits or Motor Circuits Which Allow the Operation or non Operation of the Circuit



Example screw closure (Geoex)



Example hinged closure (Luxorex)

The AC contactor modules Atex & IECEX, are devices to control circuits or motor circuits permitting or not allowing the operation of the circuit. These contactor can be used in branch circuits to control lighting, heating, appliances, motors and similar circuits.

These contactors guarantee the safety of the technical staff who work with them, because these contactors can work at really high or low currents. In addition these devices are far from the controlled equipment, thus increasing safety.

The contactor allows the control of one machine from different places, wich it means less time spent on maintenance.

Enclosed in a waterproof antirust box with AISI 304L stainless steel. This design allows use of the device in protected spaces with high explosion risk, so obtaining, the "Ex e" and "Ex d" protection for use in potentially explosive atmospheres of dust and gas.

We have two types of closures:

- Screw closure (Geoex)
- Hinged closure (Luxorex)



FOR MORE INFORMATION CLICK HERE



TECHNICAL FEATURES

- The joint between the cover and body, is designed to secure a really high degree protection IP66.
- The box has a polished finish in AISI 304L stainless steel.
- This equipment includes three cable glands in nickel plated brass with "Ex e" protection two in M25 and the other in M16.
- It has wall brackets, encircling wall placement if so required.
- This contactor works with 690V rated voltage and up to 38A rated current.
- It can work between two temperature ranges, which give it a great use capacity.
 - $-20^{\circ}\text{C} \leq T_a \leq 60^{\circ}\text{C}$
 - $-20^{\circ}\text{C} \leq T_a \leq 40^{\circ}\text{C}$

OPTIONS

- We have two types of closures:
 - Screw closure (Geoex)
 - Hinged closure (Luxorex)
- 5 extra terminals between 1 and 2.5mm² can be added.
- Possibility of choosing voltage between: 24, 36, 48, 110, 220-230 and 380-400V.
- Possibility of choosing a current between: 12, 25 and 38.
- Box can be made in AISI 316L stainless steel for marine or highly corrosive places.
- Cable glands available in any size and thread (stainless steel).



ADVANTAGES

- This device design is in 304L stainless steel, but can also be manufactured in 316L stainless steel.
- It's possible to add two auxiliary contacts so as to integrate another circuit more simply. It has no fragile mechanisms, so proves a really strong and reliable device.
- One of the most important advantages is the possibility of automatizing the motor on and off switch.
- It protects the internal receptor from important drops in voltage.
- These contactors allow work with complicated machines and equipment through auxiliary devices such, as position switches, inductive sensors, pressure switches, timers, etc.

AC CONTACTOR MODULES **ATEX & IECEX** IP66

PROTECTION MODE

This equipment is certified for use in potentially explosive atmospheres in 1, 2, 21 and 22 zones.

Atex marking:

- II2G Ex d e IICT6/T5 Gb
- II2D Ex tb IIIC T85°C /T100°C Db

- Certificate number: LOM14ATEX2082

- Certificate number: LOM17ATEX1011

IECEX marking:

- Ex d e IICT6/T5 Gb
- Ex tb IIIC T85°C/T100°C Db
- Certificate number: EX/LOM/IECEX

REGULATIONS

Atex directive and regulation:

- Atex directive 2014/34/EU
- EN 60079-0:2012
- EN 60079-1:2007
- EN 60079-7:2015
- EN 60079-31:2010

IECEX regulation:

- IEC 60079-0:2011
- IEC 60079-1:2006

- IEC 60079-7:2015

- IEC 60079-31:2013

Enclosure regulation:

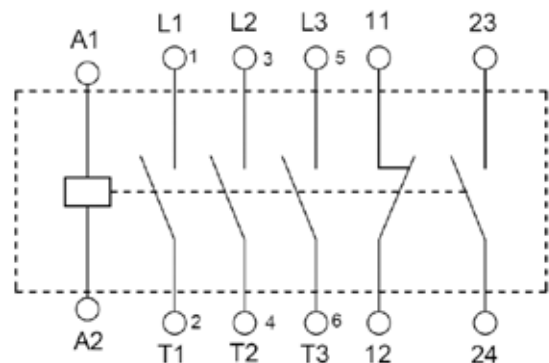
- IP regulation (IP65): IEC 60529
- IK regulation (IK10): IEC 62262

Low voltage directive and regulation:

- Directive 2006/95/EC
- EN 61439-1:2011
- EN 61439-2:2011

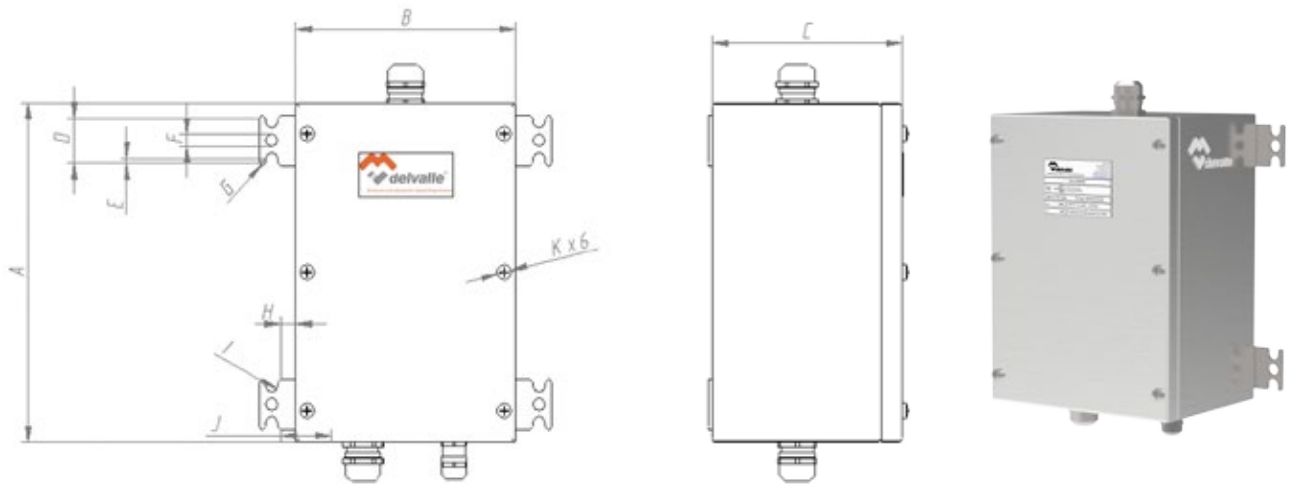
ELECTRICAL DIAGRAM

The electrical diagram is the same for each option, but the blueprint changes with the extra terminals. If terminals are added the size of the device will rise.



AC CONTACTOR MODULES **ATEX & IECEX** IP66

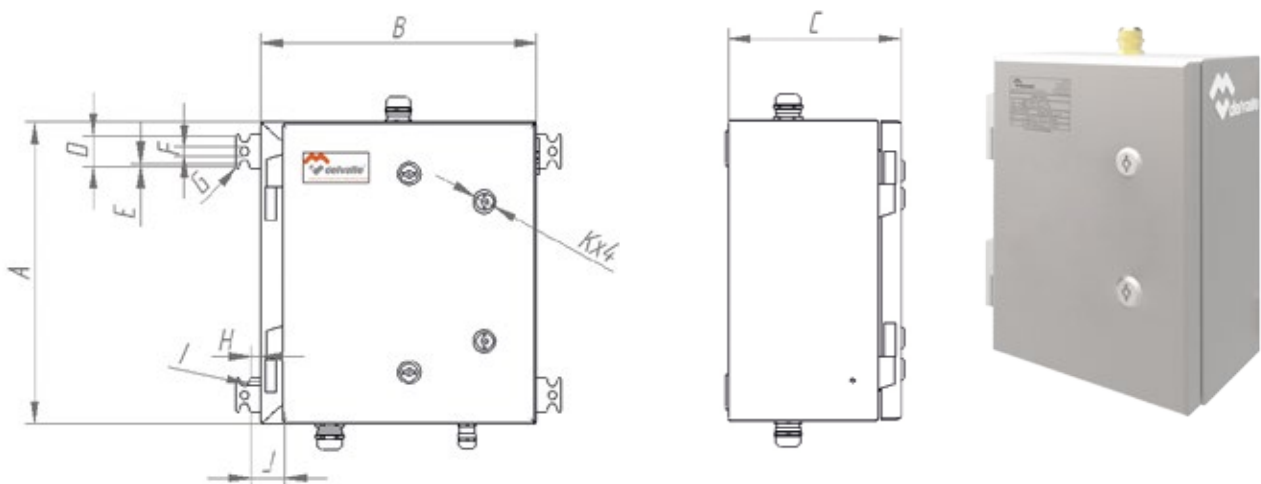
BLUEPRINT AND DIMENSIONS GEOEX



DIMENSIONS (mm)

	A	B	C	D	E	F	G	H	I	J	K
Without terminals	270	175	150	36	3.5	D10	R2	12	R5	40	D12
With terminals		200									

BLUEPRINT AND DIMENSIONS LUXOREX



DIMENSIONS (mm)

	A	B	C	D	E	F	G	H	I	J	K
Without terminals	350	250	150	36	3.5	D10	R2	12	R5	40	D27
With terminals		320									

AC CONTACTOR MODULES **ATEX & IECEX** IP66



10
YEARS

STAINLESS
ANTICORROSIVE
GUARANTEE

MADE
TO MEASURE

5
YEARS

MECHANICAL PARTS
GUARANTEE



REFERENCES

To create this product reference see the table below, including each possible option:

TYPE	RATED CURRENT (A)	RATED VOLTAGE (V)	EXTRA TERMINALS	AUXILIARY CONTACT INO+INC	EX
ACCM	To choose one	To choose one, in case of the last two write the higher number	To choose one	To write it if this option is required	EX
	12	24	0	NONC	
		36			
	25	48	5		
		110			
	38	210-230			
380-400					

EXAMPLE GEOEX

A contactor Geoex with 12A, with 210-230V rated voltage, without extra terminals and with the auxiliary contact

CODE

ACCM/12/230-0-NONC-EX

EXAMPLE LUXOREX

A contactor Luxorex with 12A, with 210-230V rated voltage, without extra terminals and with the auxiliary contact

CODE

ACCM/12/230-0-NONC-EX-P

DELVALLE OFFERS OTHER SOLUTIONS ATEX & IECEX

➔ [CLICK HERE AND DISCOVER ALL SOLUTIONS](#)

ATEX TERMINAL BOXES TERBOX SERIES



EX LOCAL CONTROL & DISTRIBUTION BOXES CONTREX SERIES



PLUG AND SOCKET BOXES CONNEX SERIES



FLAMEPROOF CONNECTION BOXES EJB SERIES



EX LIGHTING FIXTURE ATEX



PRESSURIZED ENCLOSURE EX P PEPPEX SERIES



DELVALLE OFFERS OTHER SOLUTIONS ATEX & IECEX

➔ [CLICK HERE AND DISCOVER ALL SOLUTIONS](#)

EX CABLE GLANDS ATEX & IECEX



MOTOR AND SWITCH MACHINES ATEX & IECEX



EX PUSH BUTTON STATION CONTREX SERIES



INDUSTRIAL WORKSTATIONS & HMI'S ATEX



EX 19" RACK ATEX

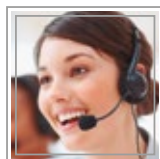


HAZARDOUS WIRELESS & ANTENNA SYSTEMS ATEX





/ FLEXIBLE ATEX & IECEX SOLUTIONS



Paso del Prao, 6. 01320 Oyón (Álava), Spain
Telf. +34 945 601 381
www.atexdelvalle.com - atex@atexdelvalle.com

Contact us, we will be available at any time