



atex@atexdelvalle.com | www.atexdelvalle.com

SIRENS

ATEX Ex Zones 1, 2, 21 and 22



Delvalle, wide experience in manufacturing solutions for hazardous area



WE PUT AT YOUR DISPOSAL

We offer **OVER 40 years** providing **solutions** to demanding customers who require very specific characteristics and behaviour according to the sector and their needs.

WHEREVER YOU GO

We are committed to working closely with our customers, providing them with exceptional service and offering an advanced and extensive range of products with very competitive prices.

CUSTOMIZE YOUR WIFI SYSTEM - WIRELESS

HIGH STANDARD OF QUALITY AND SERVICES

We only use materials provided by companies who offer the very highest quality, suitable and certified products. Our success is due to **top quality** assurance: ISO 9001, SGS, UL, TÜV, ISO 14000 and Ohsas 18001. ATEX, IECEx a nivel mundial.

ALWAYS THINKING OUTSIDE THE BOX



CONTACT US

Confidentiality, reliability & quality

atex@atexdelvalle.com
+34 945 601 381

ALSO ONLINE

A team of professionals with high experience and ability to solve all your queries.





SIRENS

Max. 110 dB

Zones 1, 2, 21 and 22

ETH series sirens are used in closed environments where a warning system is needed and where the atmosphere is potentially explosive. ETH sirens are multi-functional. The five different types of sound can be programmed to provide warning in the event of danger or evacuation in the case of fire.



Example.



SIRENS

Zones 1, 2, 21 and 22

MACHANICAL CHARACTERISTICS

- **Body and cover:** Low copper content aluminium alloy.
- **Safety wire:** Steel.
- **Bell housing:** Chrome coloured ABS plastic
- **Gasket:** Acid, hydrocarbon and high temperature resistant silicone.
- **Bolts and screws:** Stainless steel.
- **Mounting:** Direct to 3/4" entry or with mounting bracket (available on request).
- **Entries:** 1 x 3/4" Rc UNI ISO 7/1
- **Coating:** Epoxy coating Ral 7000 (squirrel grey)



Examples.



SECTORS

- Oil refineries
- Chemical and petrochemical plants
- Onshore plants
- Waste water purification
- Low temperatures
- Combustible liquid depots
- Transit areas
- Analysis laboratories

CERTIFICATION DATA

CLASSIFICATION 94/9/EC	GROUP II	CATEGORY 2GD	
INSTALLATION EN 60079.14	ZONE I - ZONE 2 (GAS)	ZONE 21 - ZONE 22 (DUST)	
ZONES	Zone 1 - Zone 2 (Dust)		
MARKING	CE Ex II2 GD Ex d IIC T6 Ex tD A2I IP65		
	CE Ex II2 G Ex d IIC - IIB+H2 T4 Gb IP6x		
	I I ATEX 040X		
	GOST R DISPONIBLE		
NORMAS	CENELEC EN 60079-0: 2006/09, EN 60079-1:2004/07, EN 61241-0: 2006, EN 61241-1:2004, EN 60079-31:2009 and EUROPEAN DIRECTIVE 94/9/EC: 1994		
CLASS TEMPERATURE	85°C (T6)	135°C (T4)	200°C (T3)
AMBIENT TEMPERATURE	-20°C +55°C	S14	
	-50°C +60°C	S19	



SIRENS **Zones 1, 2, 21 and 22**

ELECTRICAL CHARACTERISTICS

Siren SI4

Rated Voltage	V	12 ÷ 24V ac/dc	48-115-230 V ac
Frequency	Hz	50/60	50/60
Current	A	0,16	0,07
Operation	Continuous		

Siren SI19

Rated Voltage	V	12 ÷ 24V ac/dc	48-115-230V ac
Frequency	Hz	50/60	50/60
Current	A	0,2 ÷ 0,8	0,15 ÷ 0,07 A
Operation	Continuous		

SONIDOS PRINCIPALES

- Main sounds (**32 selectable sounds**)
- **TWINTONE**: 440 Hz/ 0,4 sec. alternated with 554 Hz / 0,1 sec.
- **YELP**: Increasing and decreasing scale. Fast from 650 to 1600 Hz.
- **WAIL**: Increasing and decreasing scale. Slow from 650 to 1600 Hz.
- **INTERMITTENT**: 554 Hz, 1 sec.ON- 1 sec OFF
- **FIXED NOTED**: 554 Hz continuous.

ACCESSORIES AVAILABLE

- Adjustable support bracket
- Epoxy vinyl coating in different colours.
- NPT or ISO M25 threads.
- Different rated voltages.

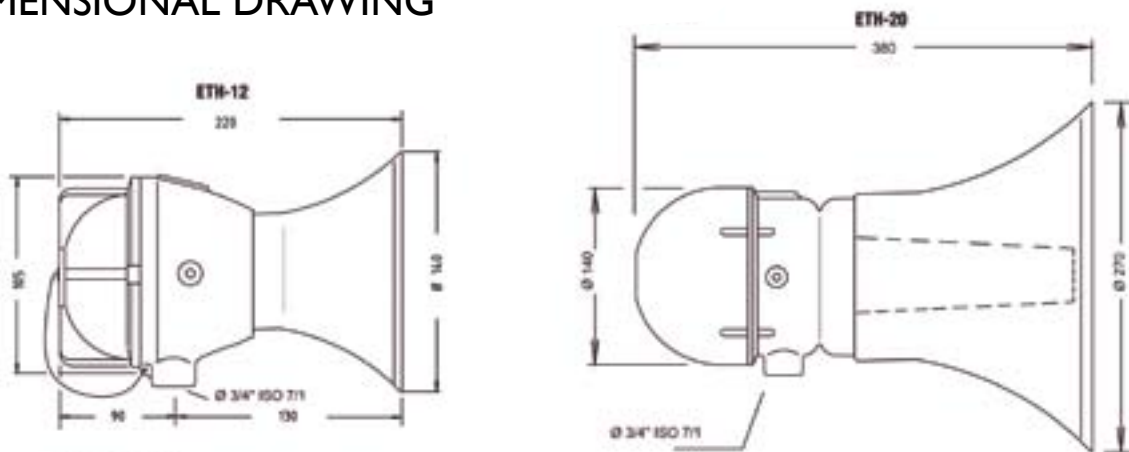




SIRENS

Zones 1, 2, 21 and 22

DIMENSIONAL DRAWING



REFERENCE

REFERENCE	PROGRAMMABLE SOUNDS	VOLTAGE	POWER INPUT	SOUND LEVEL		WEIGHT Kg	mm
				FREQUENCY	Db/m		
SI4-01E	5	12 -24V ac/dc	4 W	440-1600 Hz	102	1,5	230x150x150
SI4-02F	5	48V ac	4 W	440-1600 Hz	102	1,5	230x150x150
SI4-03B	5	115V ac	4 W	440-1600 Hz	106	1,5	230x150x150
SI4-04A	5	230V ac	4 W	440-1600 Hz	106	1,5	230x150x150
SI19-01E	5	12 -24V ac/dc	19 W	440-900 Hz	105	3,7	390x280x280
SI16-02B	5	115V ac	16 W	440-900 Hz	110	3,7	390x280x280
SI16-03A	5	230V ac	16 W	440-900 Hz	110	3,7	390x280x280

PRENSACABLE



FEATURES	REFERENCE	KEY
For cable gland models and codes see www.atexdelvalle.com	MVEMSKE25 / MCAM25KITON	

ADJUSTABLE SUPPORT BRACKET



MODEL	FEATURES	REFERENCE	KEY
SI4	Material: galvanised steel	SOSI4	
SI6		SOSI6	

Delvalle hazardous area solutions

Atex enclosure
Luxorex Serie



Increased safety enclosure
Tribex Serie



Atex terminal boxes
Terbox Serie



Control equipment
Contrex Serie



Plug and socket boxes
Connex Serie

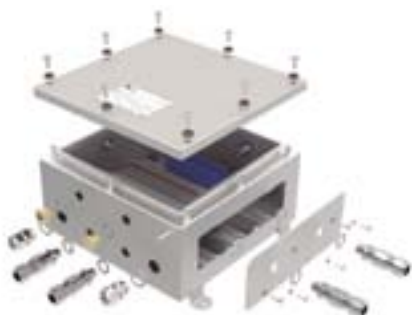


Pressurized enclosure Ex p
Peppex Serie



Delvalle hazardous area solutions

Atex junction box
Geoex Serie



Flameproof enclosure
Atex Ex d
EJB Serie



Workstations
Pcex Serie



Smartphones &
Tablets



Radios Atex Ex
Walkies Talkies

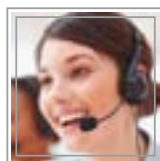


Ventilation and
Air Conditioning





Flexible solutions Atex & IECEX



Paso del Prao, 6. 01320 Oyón (Álava). Spain

Phone. +34 945 601 381

www.atexdelvalle.com - atex@atexdelvalle.com

Contact us, we will be available at any time.