



atex@atexdelvalle.com | www.atexdelvalle.com



# Antenna **WiFi**<sup>TM</sup> Dual System 2.4 GHz & 5 GHz **ATEX & IECEx**

IP66

**Zones 1 and 2**



# Delvalle, wide experience in manufacturing solutions for hazardous area



## WE PUT AT YOUR DISPOSAL

We offer **OVER 40 years** providing **solutions** to demanding customers who require very specific characteristics and behaviour according to the sector and their needs.

## WHEREVER YOU GO

We are committed to working closely with our customers, providing them with exceptional service and offering an advanced and extensive range of products with very competitive prices.

## CUSTOMIZE YOUR WIFI SYSTEM - WIRELESS

## HIGH STANDARD OF QUALITY AND SERVICES

We only use materials provided by companies who offer the very highest quality, suitable and certified products. Our success is due to **top quality** assurance: ISO 9001, SGS, UL, TÜV, ISO 14000 and Ohsas 18001. ATEX, IECEx a nivel mundial.

**ALWAYS THINKING OUTSIDE THE BOX**



## CONTACT US

Confidentiality, reliability & quality

atex@atexdelvalle.com  
+34 945 601 381

ALSO ONLINE

A team of professionals with high experience and ability to solve all your queries.





# Ex ANTENNA ATEX **WiFi**™ DUAL

## 2.4 GHz & 5 GHz NPT

IP66

**Zones 1 and 2**

The **Ex WiFi Antenna system**, with an IP 66 degree of tightness, includes an Ex antenna, ICECEX Dual band **2.4 & 5 GHz** that can be used in **zones 1 and 2**.

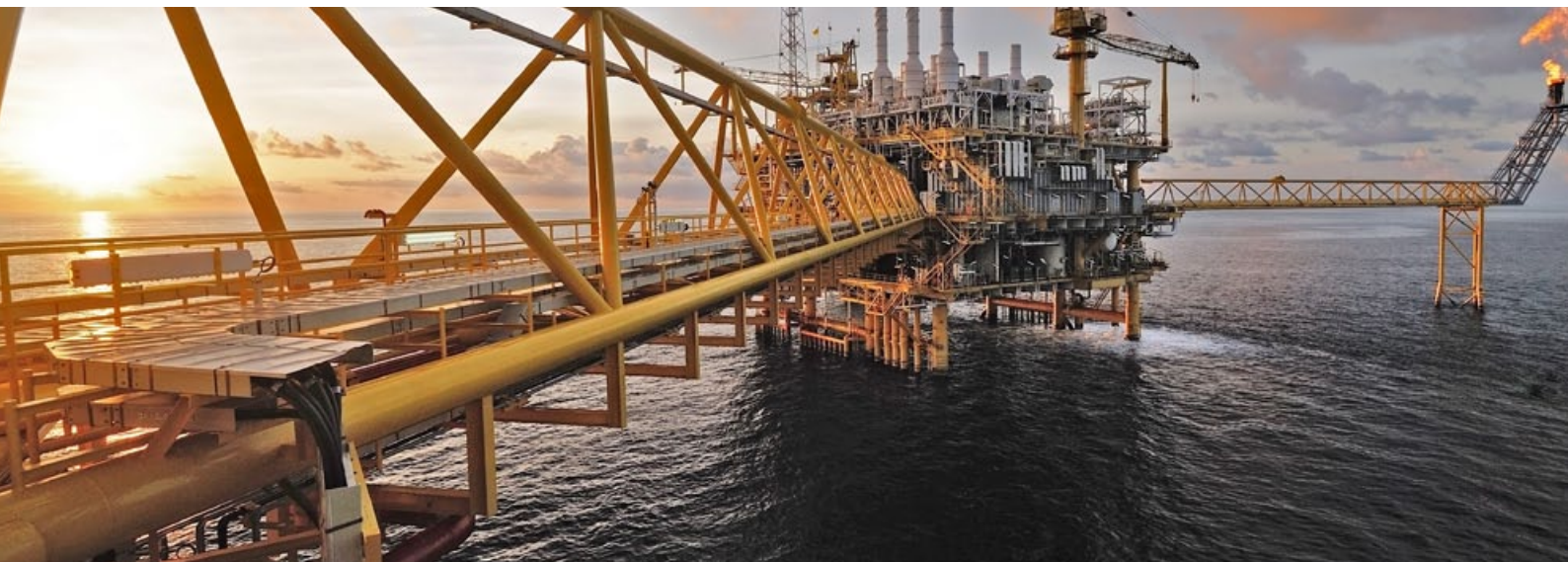
This antenna is mounted over a lightweight and compact enclosure made from aluminium alloy used to adjust the cable, with access through an NPT cable gland (Ex d) for unarmed cables (sizes: 8/10,5mm – 10,5/13mm – 13/15.5mm – 15.5/18mm). The extensive range offered caters to specific customer requirements and can be installed in areas classified as Zone 1, 2 (hazardous areas).

On the other hand, the Ex antenna is omni-directional with 2.0 dBi gain and an integrated TNC coaxial connector for ease of installation. The upper body is optimized for rugged industrial and hazardous applications while maintaining maximum radio frequency transmission and reception efficiency.

**We offer you the most powerful security**



Examples



EX ANTENNA ATEX **WiFi**™ DUAL 2.4 GHz & 5 GHz NPT

IP66

**Zones 1 and 2**

## APPLICATION

- Hazardous tank level monitoring
- Wireless bridges
- Hazardous area computers
- Utility systems where explosive gases may be present
- Offshore platforms
- Power plants
- Utility systems with the possibility of explosive gases presence.

## REFERENCE

(Example of a box with 5 meter cable)

EJBANTEX2.4D5

For **5 meters cable**, add to the end of the reference: **\_05**For **10 meters cables**, add to the end of the reference: **\_10**

→ Cordless: don't add anything..

→ Antenna ATEX Dual 2.4&5 GHz  
Ref. ANTEX2400-5000NPT. W→ Box with cable gland.  
Ref. EJB1389R2. 4N3/4

## NORMATIVE

- CENELEC EN 60079-0: 2012
- EN 60079-1: 2007
- EUROPEAN DIRECTIVE 94/9/EC: 1994
- UL, cUL listed
- IECEx

## SECTORS

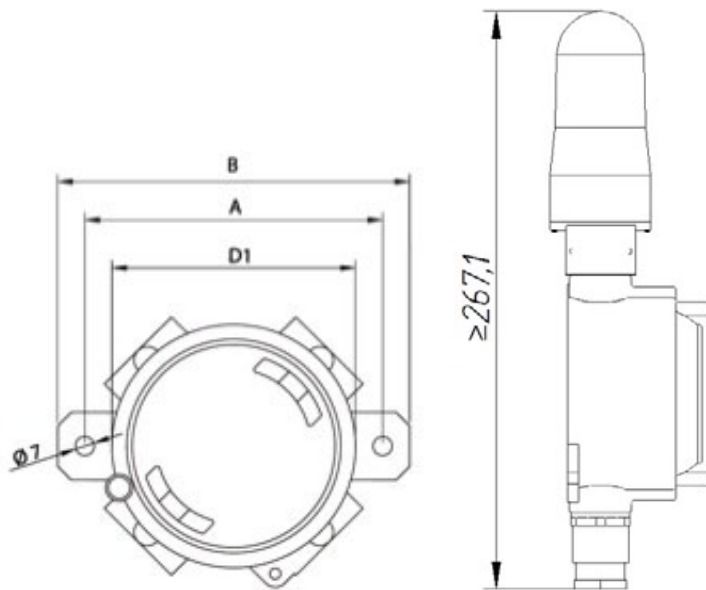
- Oil & Gas
- Offshore & High sea
- Chemical & Refinery
- Industry & Machinery
- Maritime & Seaport
- Oil Drilling
- Floating Production FLNG
- Natural Gas Liquid
- FPSO Floating Production
- Pharmaceutical
- Food & Beverage
- Air Transport
- Nuclear & Thermal Power



# EX ANTENNA ATEX **WiFi**™ DUAL 2.4 GHz & 5 GHz NPT

IP66

**Zones 1 and 2**



## MARKING

- ATEX Marking: Ex d IIB T5 Gb.
- UL Marking: Class I Div I, Groups C, D.
- Ambient Temperature: -20/+40 °C.

CODE	POSITION OF ENTRIES	Ø CABLE ENTRY	EXTERNAL DIMENSIONS (MM)			WEIGHT (Kg)
			D1	A	B	
EJBANTEX2.4D5		8/10,5 10,5/13 13/15,5 15,5/18	89	110	130	0,6

## SPECIFICATIONS ANTENNA

- Frequency: Dual band 2.4 GHz & 5 GHz (802.11n)
- Impedance: 50 Ω
- Gain: 2.0 dBi
- Maximum power: 2 Watts
- Connector type: Female TNC
- Mounting base: 20mm (3/4" NPT)
- Impact rating: 7 Jules
- Weight: 1.06 lbs., 0.48 kg
- Maximum length including TNC con: 5.85", 148.6mm
- Zones: 1 - 2

## BOX TECHNICAL DATA

- Body and lid of a low copper content aluminium alloy. Screw-on lid with safety fastening grub screw.
- Gasket of acid/hydrocarbon-resistant silicone
- Entries with NPT UNI ISO 7/1 thread
- Certification label located on the lid
- Stainless steel bolts and screws
- Stainless steel earth screws with anti-rotation brackets.
- Zones: 1 - 2.

## DELVALLE OFFERS OTHER SOLUTIONS ATEX

Atex enclosure  
**Luxorex** Serie



Increased safety enclosure  
**Tribex** Serie



Atex terminal boxes  
**Terbox** Serie



Control equipment  
**Contrex** Serie



Plug and socket boxes  
**Connex** Serie

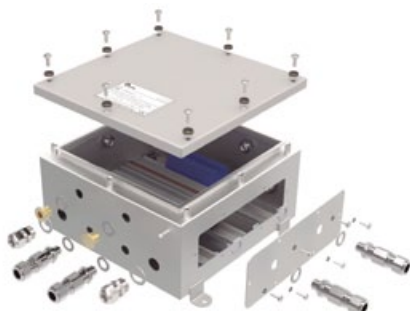


Pressurized enclosure Ex p  
**Peppex** Serie



# DELVALLE OFFERS OTHER SOLUTIONS ATEX

Atex junction box  
**Geoex** Serie



Flameproof enclosure  
Atex Ex d  
**EJB** Serie



Workstations  
**Pcex** Serie



Lighting LED Atex  
**Luminex** Serie



Radios Atex Ex  
**Walkies Talkies**



Ventilation and  
**Air Conditioning**





Flexible solutions Atex & IECEX



Paso del Prao, 6. 01320 Oyón (Álava). Spain

Phone. +34 945 601 381

[www.atexdelvalle.com](http://www.atexdelvalle.com) - [atex@atexdelvalle.com](mailto:atex@atexdelvalle.com)

Contact us, we will be available at any time.