



atex@atexdelvalle.com | www.atexdelvalle.com

Antenna **WiFi**™ System 5 GHz **ATEX & IECEx**

IP66

Zones 1 and 2



Delvalle, wide experience in manufacturing solutions for hazardous area



WE PUT AT YOUR DISPOSAL

We offer **OVER 40 years** providing **solutions** to demanding customers who require very specific characteristics and behaviour according to the sector and their needs.

WHEREVER YOU GO

We are committed to working closely with our customers, providing them with exceptional service and offering an advanced and extensive range of products with very competitive prices.

CUSTOMIZE YOUR WIFI SYSTEM - WIRELESS

HIGH STANDARD OF QUALITY AND SERVICES

We only use materials provided by companies who offer the very highest quality, suitable and certified products. Our success is due to **top quality** assurance: ISO 9001, SGS, UL, TÜV, ISO 14000 and Ohsas 18001. ATEX, IECEx a nivel mundial.

ALWAYS THINKING OUTSIDE THE BOX



CONTACT US

Confidentiality, reliability & quality

atex@atexdelvalle.com
+34 945 601 381

ALSO ONLINE

A team of professionals with high experience and ability to solve all your queries.





Ex ANTENNA ATEX **Wi-Fi**TM

5GHz NPT

IP66

Zones 1 and 2

The **ExWiFiAntenna system**, with an IP 66 degree of tightness, includes an Ex antenna, ICECEX 5 GHz that can be used in **zones 1 and 2**.

This antenna is mounted over a lightweight and compact enclosure made from aluminium alloy used to adjust the cable, with access through an NPT cable gland (Ex d) for unarmed cables (sizes: 8/10,5mm – 10,5/13mm – 13/15.5mm – 15.5/18mm). The extensive range offered caters to specific customer requirements and can be installed in areas classified as Zone 1, 2 (hazardous areas).

On the other hand, the Ex antenna is omni-directional with 2.0 dBi gain and an integrated TNC coaxial connector for ease of installation. The upper body is optimized for rugged industrial and hazardous applications while maintaining maximum radio frequency transmission and reception efficiency.

We offer you the most powerful security



Examples



Ex ANTENNA ATEX  5GHz NPT

IP66

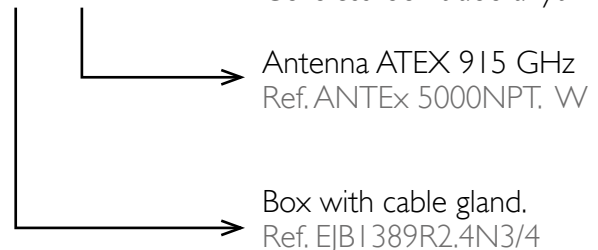
Zones 1 and 2

APPLICATION

- Hazardous tank level monitoring
- Wireless bridges
- Hazardous area computers
- Utility systems where explosive gases may be present
- Offshore platforms
- Power plants
- Utility systems with the possibility of explosive gases presence.

REFERENCE

(Example of a box with 5 meter cable)

EJBANTE_{Ex}5000_05 →For **5 meters cable**, add to the end of the reference: **_05**For **10 meters cables**, add to the end of the reference: **_10**

NORMATIVE

- CENELEC EN 60079-0: 2012
- EN 60079-1: 2007
- EUROPEAN DIRECTIVE 94/9/EC: 1994
- UL, cUL listed
- IECEx

SECTORS

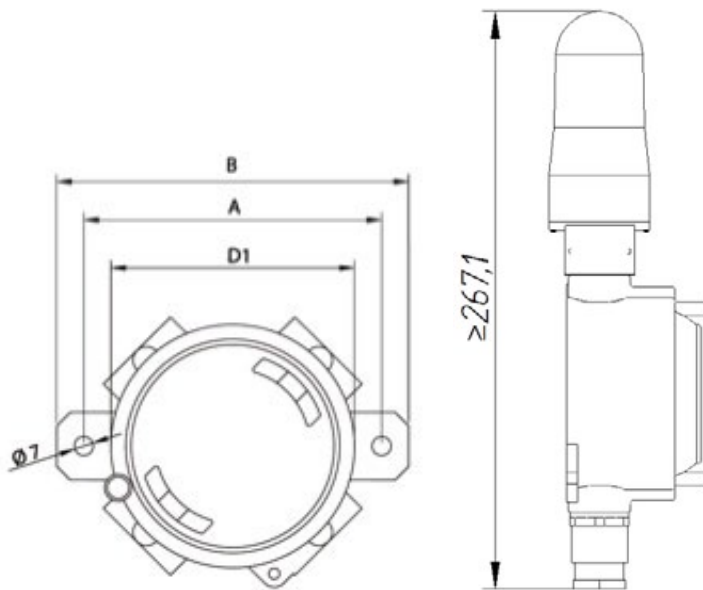
- Oil & Gas
- Offshore & High sea
- Chemical & Refinery
- Industry & Machinery
- Maritime & Seaport
- Oil Drilling
- Floating Production FLNG
- Natural Gas Liquid
- FPSO Floating Production
- Pharmaceutical
- Food & Beverage
- Air Transport
- Nuclear & Thermal Power



Ex ANTENNA ATEX **WiFi**™ 5GHz NPT

IP66

Zones 1 and 2



MARKING

- ATEX Marking: Ex d IIB T5 Gb.
- UL Marking: Class I Div I, Groups C, D.
- Ambient Temperature: -20/+40 °C.

CODE	POSITION OF ENTRIES	Ø CABLE ENTRY	EXTERNAL DIMENSIONS (MM)			WEIGHT (Kg)
			D1	A	B	
EJBANTEX5000		8/10,5 10,5/13 13/15,5 15,5/18	89	110	130	0,6

ESPECIFICACIONES DE LA ANTENA

- Frecuencia: 5 GHz
- Impedancia: 50 Ω
- Ganancia: 2.0 dBi
- Potencia máxima: 2 Watts
- Conexión: Hembra TNC
- Base de montaje: 20mm (3/4" NPT)
- Valoración de impacto: 7 Julios
- Peso: 1.06 lbs., 0.48 kg
- Máxima longitud incluyendo conector TNC: 5.85", 148.6mm
- Zonas: 1 - 2

DATOS TÉCNICOS CAJA

- Cuerpo y tapa de aleación de aluminio de bajo contenido de cobre.
- Tapa de rosca con cierre de seguridad de tornillo prisionero
- Junta resistente a los hidrocarburos.
- Entradas con rosca NPT UNI ISO 228.
- Etiqueta de certificación adhesiva situada en la tapa.
- Pernos y tornillos de acero inoxidable
- Tornillos de tierra en acero inoxidable con soportes anti-rotación
- Zonas: 1 - 2.

DELVALLE OFFERS OTHER SOLUTIONS ATEX

Atex enclosure
Luxorex Serie



Increased safety enclosure
Tribex Serie



Atex terminal boxes
Terbox Serie



Control equipment
Contrex Serie



Plug and socket boxes
Connex Serie

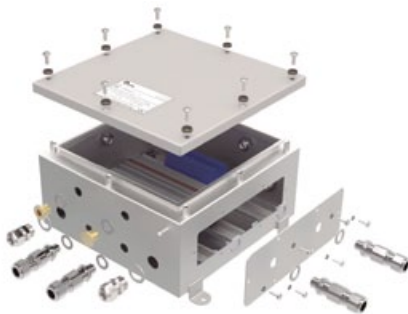


Pressurized enclosure Ex p
Peppex Serie

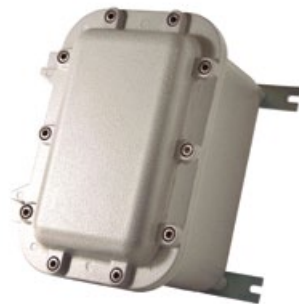


DELVALLE OFFERS **OTHER SOLUTIONS ATEX**

Atex junction box
Geoex Serie



Flameproof enclosure
 Atex Ex d
EJB Serie



Workstations
Pcex Serie



Lighting LED Atex
Luminex Serie



Radios Atex Ex
Walkies Talkies



Ventilation and
 Air **Conditioning**





Flexible solutions Atex & IECEX



Paso del Prao, 6. 01320 Oyón (Álava). Spain

Phone. +34 945 601 381

www.atexdelvalle.com - atex@atexdelvalle.com

Contact us, we will be available at any time.