



atex@atexdelvalle.com | www.atexdelvalle.com



Antenna SAT I 600MHz **ATEX & IECEx**

IP66

Zones 1 and 2



Delvalle, wide experience in manufacturing solutions for hazardous area



WE PUT AT YOUR DISPOSAL

We offer **OVER 40 years** providing **solutions** to demanding customers who require very specific characteristics and behaviour according to the sector and their needs.

WHEREVER YOU GO

We are committed to working closely with our customers, providing them with exceptional service and offering an advanced and extensive range of products with very competitive prices.

CUSTOMIZE YOUR WIFI SYSTEM - WIRELESS

HIGH STANDARD OF QUALITY AND SERVICES

We only use materials provided by companies who offer the very highest quality, suitable and certified products. Our success is due to **top quality** assurance: ISO 9001, SGS, UL, TÜV, ISO 14000 and Ohsas 18001. ATEX, IECEx a nivel mundial.

ALWAYS THINKING OUTSIDE THE BOX



CONTACT US

Confidentiality, reliability & quality

atex@atexdelvalle.com
+34 945 601 381

ALSO ONLINE

A team of professionals with high experience and ability to solve all your queries.





Ex ANTENA ATEX SAT

I 600MHz NPT

IP66

Zones 1 and 2

The **Ex Antenna system**, with an IP66 degree of tightness, includes an Ex antenna, ICECEX I 600 MHz that can be used in zones 1 and 2.

This antenna is mounted over a lightweight and compact enclosure made from aluminium alloy used to adjust the cable, with access through an NPT cable gland (Ex d) for unarmed cables (sizes: 8/10,5mm – 10,5/13mm – 13/15.5mm – 15.5/18mm). The extensive range offered caters to specific customer requirements and can be installed in areas classified as Zone 1, 2 (hazardous areas).

On the other hand, the Ex antenna is omni-directional with 2.0 dBi gain and an integrated TNC coaxial connector for ease of installation. The upper body is optimized for rugged industrial and hazardous applications while maintaining maximum radio frequency transmission and reception efficiency.

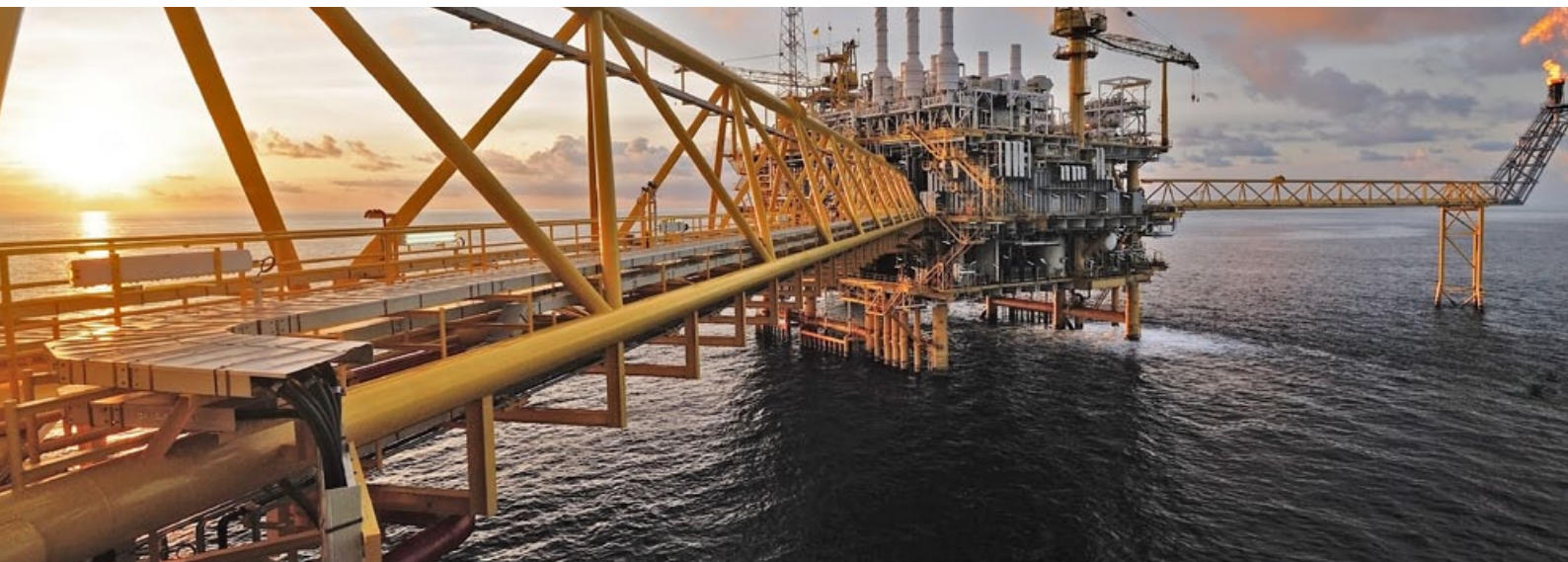
**We offer you
the most powerful security**

Ex wireless

I 600MHz



Examples





Ex ANTENA ATEX SAT I 600MHz NPT

IP66

Zones 1 and 2

APPLICATION

- Hazardous tank level monitoring
- Wireless bridges
- Hazardous area computers
- Utility systems where explosive gases may be present
- Offshore platforms
- Power plants
- Utility systems with the possibility of explosive gases presence.

REFERENCE

(Example of a box with 5 meter cable)

EJBANTEX I 600_05

For **5 meters cable**, add to the end of the reference: **_05**For **10 meters cables**, add to the end of the reference: **_10**

Cordless: don't add anything..

Antenna ATEX I 600 MHz
Ref. ANTEX I 600NPT.Box with cable gland.
Ref. EJB I 389R2.4N3/4

NORMATIVE

- CENELEC EN 60079-0: 2012
- EN 60079-1: 2007
- EUROPEAN DIRECTIVE 94/9/EC: 1994
- UL, cUL listed
- IECEx

SECTORS

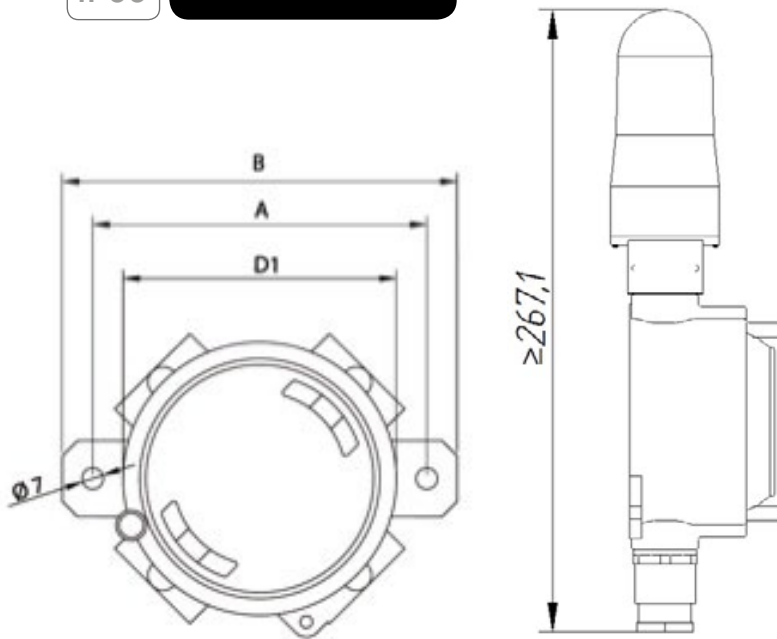
- Oil & Gas
- Offshore & High sea
- Chemical & Refinery
- Industry & Machinery
- Maritime & Seaport
- Oil Drilling
- Floating Production FLNG
- Natural Gas Liquid
- FPSO Floating Production
- Pharmaceutical
- Food & Beverage
- Air Transport
- Nuclear & Thermal Power



Ex ANTENA ATEX SAT 1600MHz NPT

IP66

Zones 1 and 2



MARKING

- ATEX Marking: Ex d IIB T5 Gb.
- UL Marking: Class I Div I, Groups C, D.
- Ambient Temperature: -20/+40 °C.

CODE	POSITION OF ENTRIES	Ø CABLE ENTRY	EXTERNAL DIMENSIONS (MM)			WEIGHT (Kg)
			D1	A	B	
EJBANTEX1600		8/10,5 10,5/13 13/15,5 15,5/18	89	110	130	0,6

SPECIFICATIONS ANTENNA

- Frequency: 1600 MHz (Iridium Satellite 1616MHz - 1626MHz)
- Impedance: 50 Ω
- Gain: 2.0 dBi
- Maximum power: 2 Watts
- Connector type: Female TNC
- Mounting base: 20mm (3/4" NPT)
- Impact rating: 7 Jules
- Weight: 1.06 lbs., 0.48 kg
- Maximum length including TNC con: 5.85", 148.6mm
- Zones: 1 - 2

BOX TECHNICAL DATA

- Body and lid of a low copper content aluminium alloy. Internally ribbed lid for reduced weight.
- Stainless steel hinges.
- Gasket of acid/hydrocarbon-resistant silicone.
- Certification label located inside the box.
- Stainless steel bolts and screws
- M6 stainless steel earth screws with anti-rotation brackets.
- Electro galvanized steel mounting brackets.
- Zones: 1 – 2.

DELVALLE OFFERS OTHER SOLUTIONS ATEX

Atex enclosure
Luxorex Serie



Increased safety enclosure
Tribex Serie



Atex terminal boxes
Terbox Serie



Control equipment
Contrex Serie



Plug and socket boxes
Connex Serie

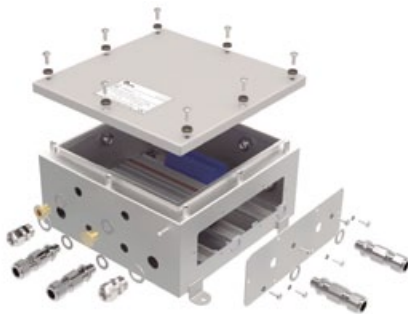


Pressurized enclosure Ex p
Peppex Serie



DELVALLE OFFERS OTHER SOLUTIONS ATEX

Atex junction box
Geoex Serie



Flameproof enclosure
Atex Ex d
EJB Serie



Workstations
Pcex Serie



Lighting LED Atex
Luminex Serie



Radios Atex Ex
Walkies Talkies

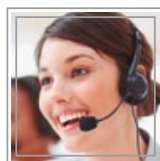


Ventilation and
Air Conditioning





Flexible solutions Atex & IECEX



Paso del Prao, 6. 01320 Oyón (Álava). Spain

Phone. +34 945 601 381

www.atexdelvalle.com - atex@atexdelvalle.com

Contact us, we will be available at any time.