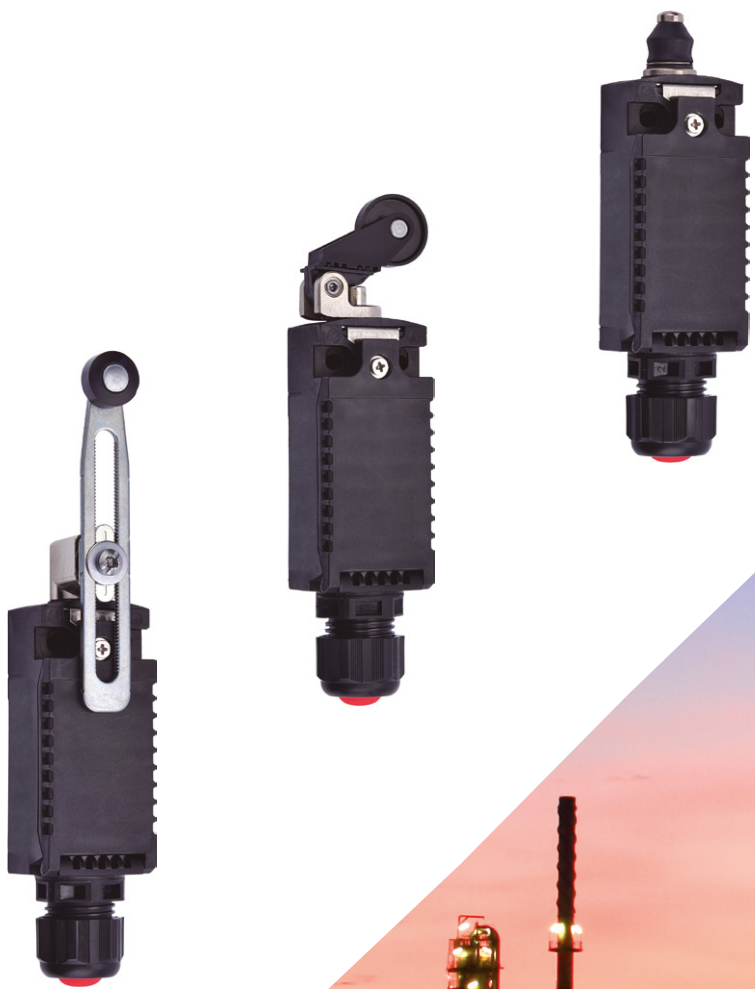




atex@atexdelvalle.com | www.atexdelvalle.com

ATEX LIMIT SWITCH



Delvalle, wide experience in manufacturing solutions for hazardous area



WE PUT AT YOUR DISPOSAL

We offer over **45 years** providing hazardous area **solutions** to demanding customers who require very specific characteristics and behaviour according to the sector and their needs.

WHEREVER YOU GO

We are committed to working closely with our customers, providing them with exceptional service and offering an advanced and **extensive range of hazardous area products** with very competitive prices.

CONSULTING & ENGINEERING

Atex Delvalle adapts to our clients' needs by offering hazardous-area systems. Atex-delvalle are the leading certified assembler of Ex junction boxes, our **customized services**, **experienced design** and drafting 3D support.

HIGH STANDARD OF QUALITY AND SERVICES

We only use materials provided by companies who offer the very highest quality, suitable and certified products. Our success is due to **top quality** assurance: ISO 9001, SGS, UL, TÜV, ISO 14000, Ohsas 1800, Atex, IECEx.



100%

Diseñado y fabricado íntegramente en España
Entirely designed and manufactures in Spain



CONTACT US

Confidentiality, reliability & quality

www.atexdelvalle.com
atex@atexdelvalle.com
+34 945 601 381

ALSO ONLINE



Please contact our technical sales department.

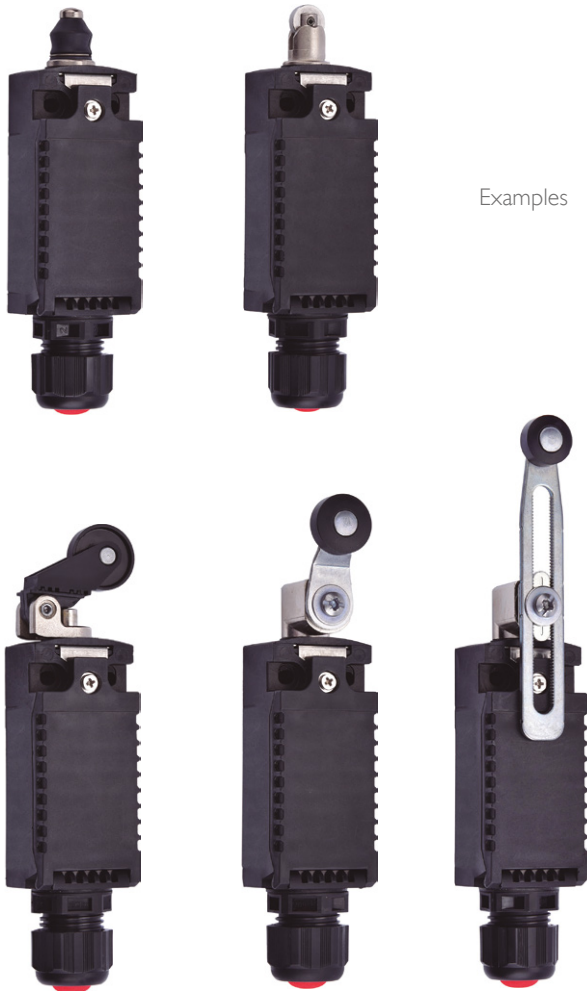
A team of professionals with high experience and ability to solve all your queries.





Zones 1, 2, 21 and 22

ATEX LIMIT SWITCH IP66



Examples

We Offer High Reliability Atex

The Atex compact limit switch is made of antistatic plastic alloy. It has a five types of different external actuators in order to cover various applications.

[FOR MORE INFORMATION CLICK HERE](#)

APPLICATIONS

Limit switch is used to open and/or close an electric circuit after pressure on external actuators. It finds several applications in auxiliary circuits (shutters, fillers, boxing machines,...).

TECHNICAL DATA

- Zones 1, 2, 21 and 22.
- Degree of protection IP66.
- Impact resistance: 4J.
- Rated voltage: max 320V AC, 250V DC.
- Rated current: max. 10A.
- Rated frequency: 50/60Hz.
- Component terminal: 4 x 0.5 ~ 1.5mm².
- Material of enclosure: alloy plastic of static resistance.
- Cable entry: molded plastic 1 x M20, cable outer diameter Ø 5.5 ~ 13mm.
- Utilization category: AC-12, AC-15, DC-12.
- Limit short-circuit current: 1kA.
- Short-circuit protection: 16A/500V.

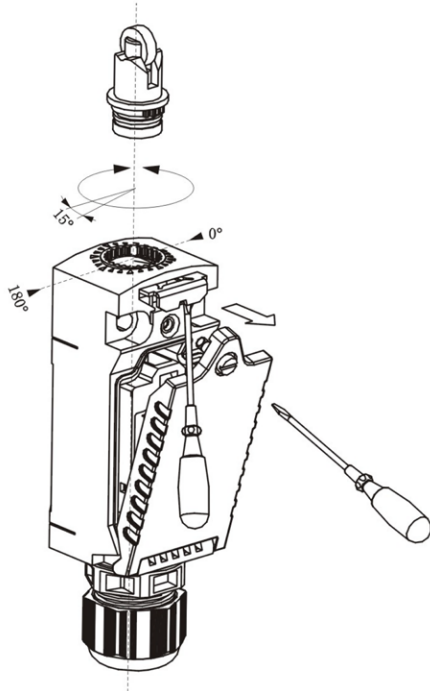
ATEX LIMIT SWITCH

IP66

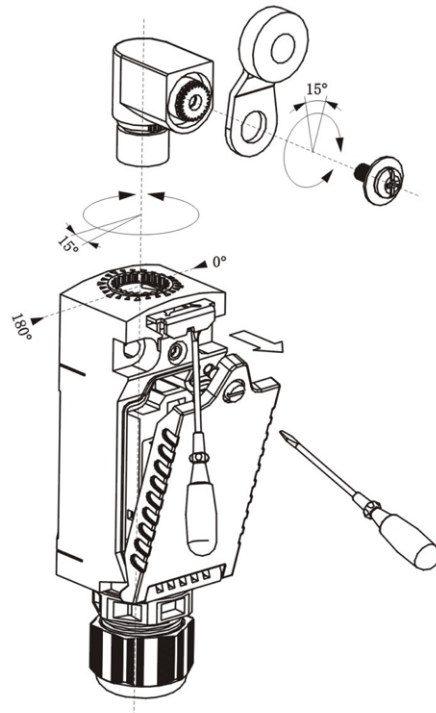
INSTALLATION

All operators having gear fixed point can be mounted in enclosure with 360° slot and can be adjusted every 15°.

The operators of these two products MVLC2615EX can be mounted 0° and 180°.



Operator



Operator + trigger head

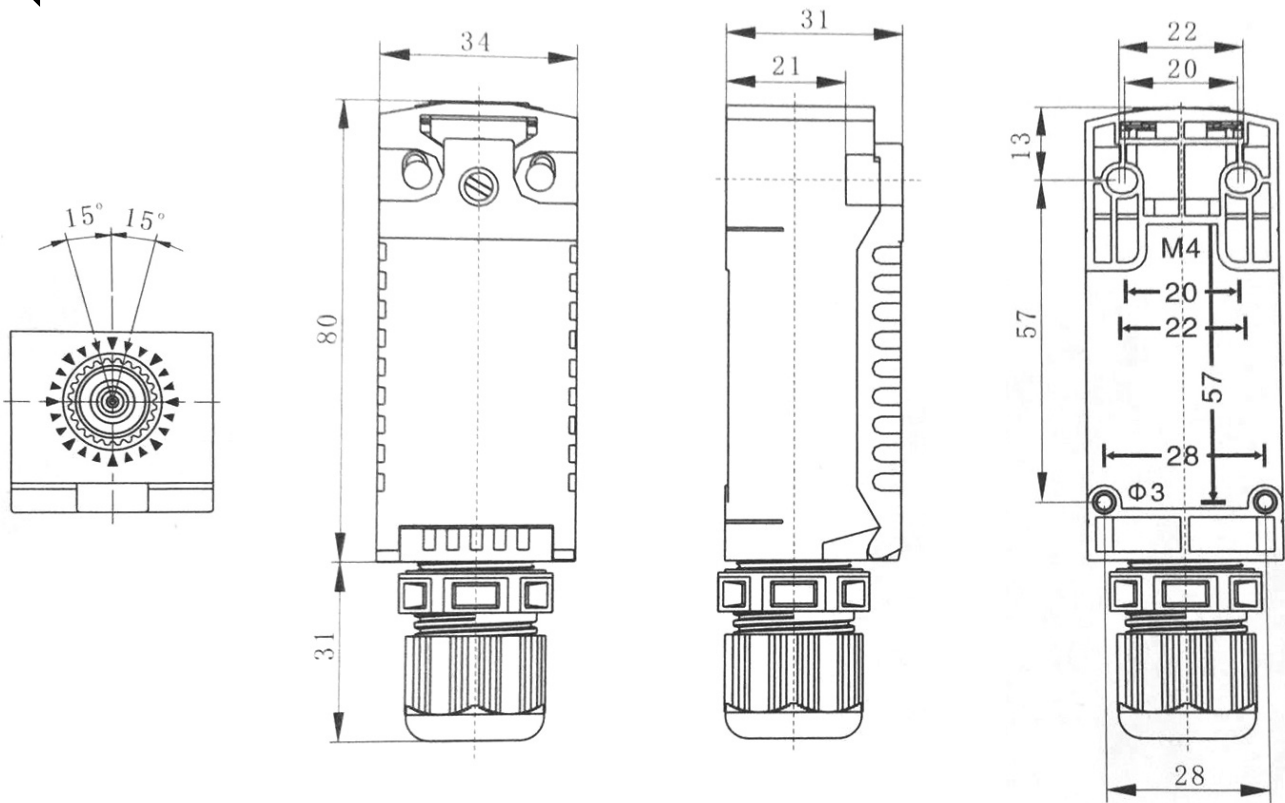
CERTIFICATES

- ATEX marking:
 - II 2 GD Ex db eb II CT6 Gb - Ex tb me T80°C Db ($I_e < 6A, T_a < +50^\circ C$)
 - II 2 GD Ex db eb II CT5 Gb - Ex tb me T95°C Db ($6A < I_e < 10A, T_a < +40^\circ C$)
- IECEx marking:
 - Ex db e II CT6 Gb Ex tb me T80°C Db ($I_e < 6A, T_a < +50^\circ C$)
 - Ex db e II CT5 Gb Ex tb me T95°C Db ($6A < I_e < 10A, T_a < +40^\circ C$)
- Ambient temperature:
 - $-20^\circ C < T_a < +40^\circ C$ ($6A < I_e < 10A$)
 - $-20^\circ C < T_a < +50^\circ C$ ($I_e < 6A$)
- Standard:
 - EN IEC 60079
 - EN IEC60947-5-1
 - EN IEC60269-1

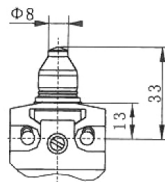
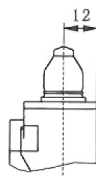
ATEX LIMIT SWITCH

IP66

BLUEPRINTS / DIMENSIONS

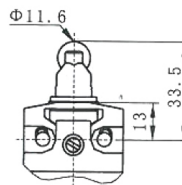
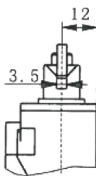


MVLC2611EX



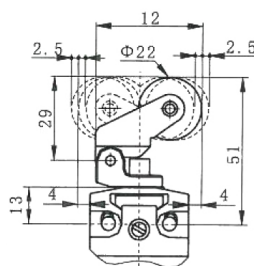
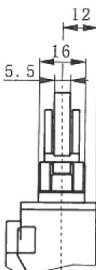
REFERENCE	WEIGHT (kg)
MVLC2611EX	0.095

MVLC2612EX



REFERENCE	WEIGHT (kg)
MVLC2612EX	0.095

MVLC2613EX

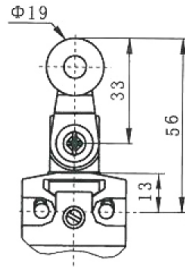
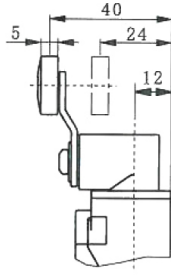


REFERENCE	WEIGHT (kg)
MVLC2613EX	0.105

ATEX LIMIT SWITCH

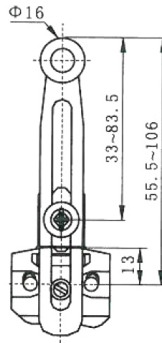
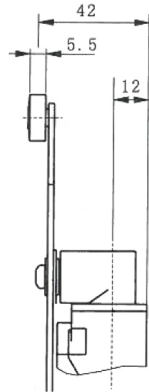
IP66

MVLC2614EX



REFERENCE	WEIGHT (kg)
MVLC2614X	0,130

MVLC2615EX



REFERENCE	WEIGHT (kg)
MVLC2615X	0,140

REFERENCES

ATEX LIMIT SWITCHES IP66				
REFERENCES	OPERATOR	TYPE OF OPERATOR	CONTACTO	MODEL OF CONTACT
MVLC2611EX	Straight operated with protective sleeve			
MVLC2612EX	Straight operated with steel roller	-	INO+INC	
MVLC2613EX	Thermoplastic roller; horizontal/vertical push rod			
MVLC2614EX	Rail of thermoplastic roller rocker 24/40mm	Two-ways triggering when spring return		
MVLC2615EX	Adjustable thermoplastic roller rocker	Two-ways triggering when spring return		

■ Contact closing

□ Contact opening

⊕ Positive opening

SOLUTIONS FOR HAZARDOUS AREA

With over 50 years of experience in design, manufacture and supply of electrical high quality Atex & IECEX solutions

Atex Delvalle adapts to our clients' needs by offering Hazardous Area enclosures and boxes on demand. They are adapted to your specific requirements of installation and assembly, up to the last detail.

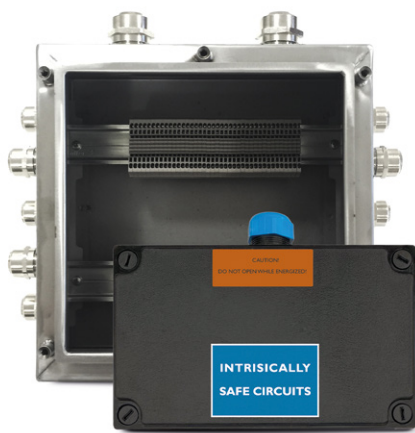
Atex Delvalle designs and manufactures a range of Hazardous Area enclosures; junction and terminal boxes, pressurized, flameproof Ex d and increased Safety Ex e Atex & IECEX compliant enclosures.



ATEX CABLE GLANDS



MOTOR STARTER & LOAD DISCONNECT SWITCHES



CAJAS DE BORNES
Y/O TERMINALES ATEX



ATEX LIGHTING FIXTURE

HMI INDUSTRIAL PANELS WORKSTATIONS



FLAMEPROOF ENCLOSURES
& PULLING BOXES



CONTROL STATIONS & DISTRIBUTION BOXES

Atex control boxes (Contrex Series), they are specially designed to perform checks, maneuvers and as actuators in explosive atmospheres. They have a rugged, corrosion system and finished in stainless steel or GRP polyester. It allows you to perform maneuvers and controls at the machine in hazardous areas and take programming and automation in a safe area. Offering customers a great combination of possibilities and flexibility. Select the component that best suits your operator panels, keypads, mushrooms, switches, ammeters... and you assemble all with Atex certified, Ex & IECEx and UL.



ENCLOSURES FOR
CORROSION ENVIRONMENTS

PRESSURIZED PANELS & ATEX PURGE





HAZARDOUS AREA SOLUTIONS ATEX E IECEx



Paso del Prao, 6. 01320 Oyón (Álava). Spain
Telf. +34 945 601 381
atex@atexdelvalle.com | www.atexdelvalle.com

Contacta con nosotros, estamos a su disposición