

STAINLESS STEEL

Zones 1, 2, 21 and 22



atex@atexdelvalle.com | www.atexdelvalle.com

# TERMINAL & JUNCTION BOXES

## TERBOX SERIES IP66



STAINLESS  
ANTICORROSIVE  
GUARANTEE



MECHANICAL PARTS  
GUARANTEE



• WE ARE •  
MANUFACTURERS  
CERTIFIED

1.22

# Delvalle, wide experience in manufacturing solutions for hazardous area



## WE PUT AT YOUR DISPOSAL

We offer over **50 years** providing hazardous area **solutions** to demanding customers who require very specific characteristics and behaviour according to the sector and their needs.

## WHEREVER YOU GO

We are committed to working closely with our customers, providing them with exceptional service and offering an advanced and **extensive range of hazardous area products** with very competitive prices.

## CONSULTING & ENGINEERING

Atex Delvalle adapts to our clients' needs by offering hazardous-area systems. Atex-delvalle are the leading certified assembler of Ex junction boxes, our **customized services**, **experienced design** and drafting 3D support.

## HIGH STANDARD OF QUALITY AND SERVICES

We only use materials provided by companies who offer the very highest quality, suitable and certified products. Our success is due to **top quality** assurance: ISO 9001, SGS, UL, TÜV, ISO 14000, Ohsas 1800, Atex, IECEx.



**100%**  
*Entirely designed  
and manufactured  
in Europe*



## CONTACT US

Confidentiality, reliability & quality

[www.atexdelvalle.com](http://www.atexdelvalle.com)  
[atex@atexdelvalle.com](mailto:atex@atexdelvalle.com)  
+34 945 601 381

ALSO ONLINE

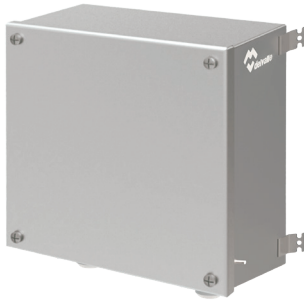


Please contact our technical sales department.

A team of professionals with high experience and ability to solve all your queries.



# CRITERIA FOR CHOOSING TERMINAL BOXES



**Gives Cost  
and Time Savings**

The Ex Junction Box “Terbox” series has been developed for installations in hazardous areas 1, 2, 21 and 22. For installation of signal and power distribution networks in explosion hazardous areas, various types of terminal boxes and junction boxes are available.



**We have terminal junction boxes screw closure (Terbox-Geoex Series), hinged terminal & junction boxes (Terbox-Luxorex Series) and high capacity & junction boxes (Terbox-Tribex Series).**



They are certified according to the latest Atex and other international standards, types of explosion protection include Ex e, Ex ia, and Ex tb. We Custom made Ex Junction boxes in AISI 304L or 316L Stainless Steel, they prove our commitment for functionality, design and sealing in our range of Ex terminals. All types are robust, durable and highly heat resistant. Distinctive construction features facilitate installation and maintenance.

[➔ FOR MORE INFORMATION CLICK HERE](#)



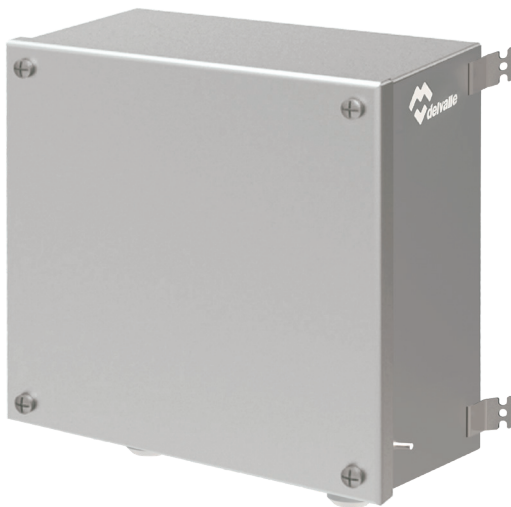
Zones 1, 2, 21 and 22

# EX TERMINAL & JUNCTION BOXES

## TERBOX - GEOEX SERIES IP66



Examples



### Gives Cost and Time Savings

Terbox-Geoex IP66 Series of terminal boxes are made of stainless steel; based on the design and specifications of our Geoex boxes (which are Ex-certified as final product). Terbox can be used in projects requiring the assembly and certification of junction boxes with terminal, cable glands and push-buttons, giving cost and time savings.

Terminal boxes are used for dividing and connecting wires for various electrical apparatus and instruments in the circuits. Installation is certified for zones 1, 2, 21 and 22.

[FOR MORE INFORMATION CLICK HERE](#)

### OPTIONS

- Available up to IP67 or IP68.
- Made of stainless steel AISI 304L or AISI 316L.
- Optional cable entry cover.
- Optional hinges.
- Different mounting options.

### TECHNICAL FEATURES

- For use in zones 1, 2, 21 and 22 and to place Ex component terminals.
- Easy opening of boxes thanks to a screwed cover.
- Strict IEC 60079-7 tests passed.
- Sea water resistant.
- External M6 ground connection.
- Wide range of ambient temperatures.
- Thickness 1.5 mm (depending on boxes).

**TERMINALS**

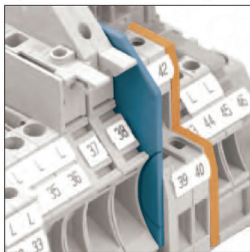


Atex Delvalle mounts in Terbox Series, Weidmüller brand terminals.  
We can also use other brands on request such as:

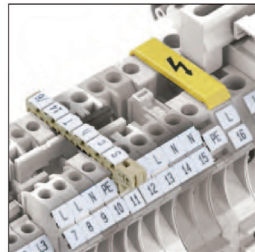


Delvalle offers users a wide range of accessories as ideal solutions for all possible tasks, even beyond the standard functions.

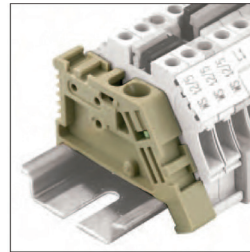
These accessories meet the same quality standards as the terminals themselves.



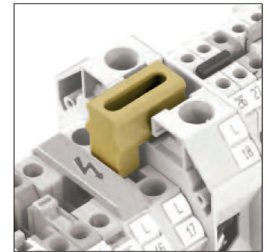
Visual separation  
Endcaps



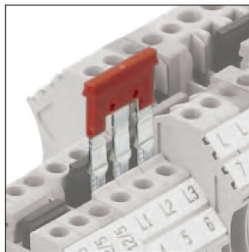
Signalling



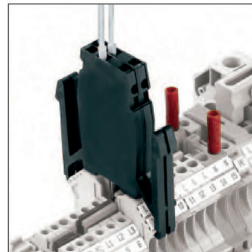
Fixation



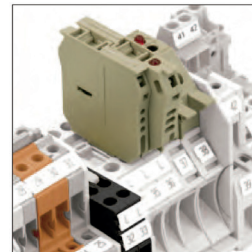
Electrical power supply



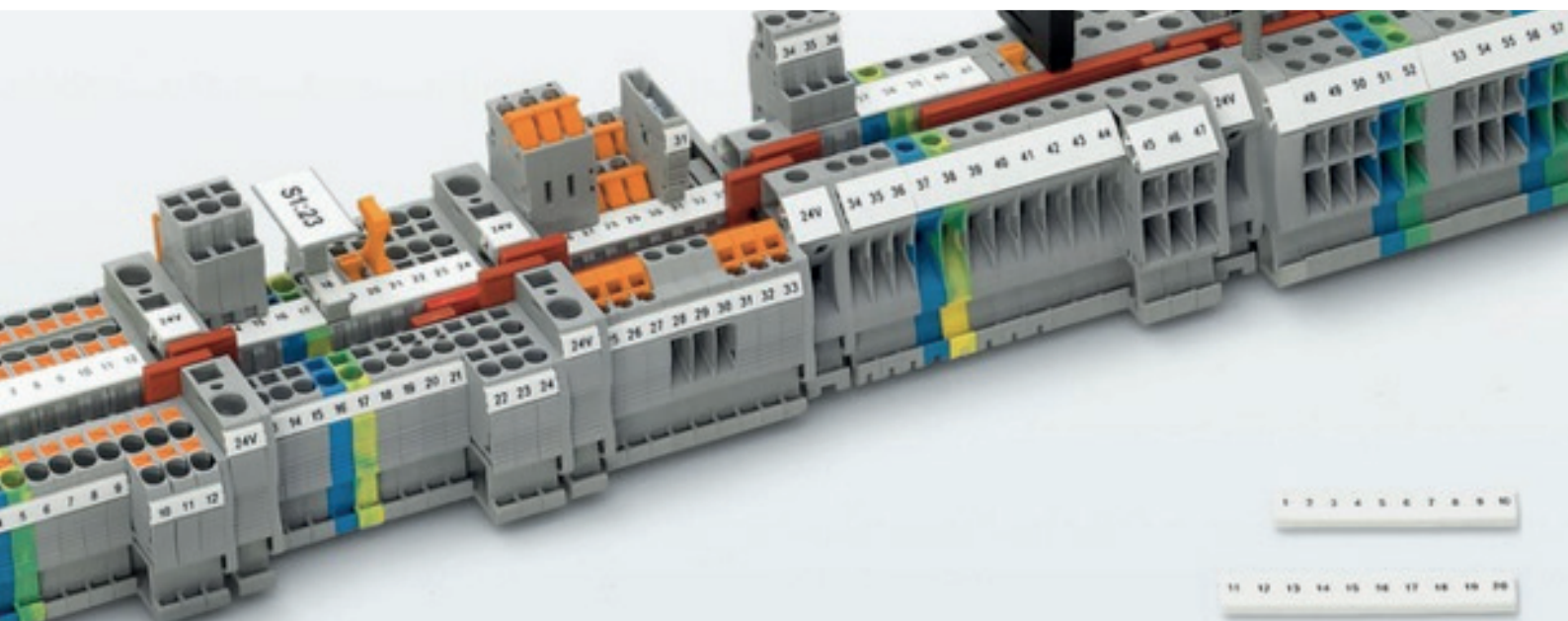
Electrical distribution



Testing



Specific functions,  
color variations



**TURNKEY PROJECTS**

**Options available** include sizes, colours, types of connection among others. As we have a close relationship with the main **Atex & IECEx certified** companies in our field, we achieve total adaptability and flexibility being **manufacturers**



**PROTECTION MODE**

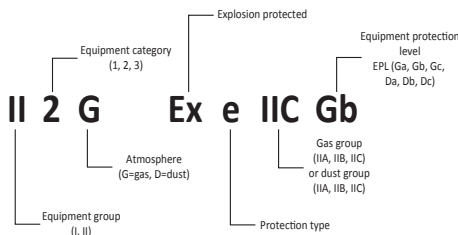
- According to directive EN 60079-0 for empty enclosures:
  - II2G Ex eb IIC Gb
  - II2D Ex tb IIIC Db IP66
- According to directive EN 60079-0 for terminal boxes:
  - II2G Ex eb IIC Gb
  - II2D Ex tb IIIC Db IP66
- Certificate empty box terminal:
  - LOM I4ATEX3028U
- Certificate Terbox:
  - LOM I4ATEX2082
- Certificate quality:
  - LOM I4ATEX9050
- Maximum IK10 norm IEC 62262.
- Voltage range: max. 1100V and current and voltage range: max. 350 A (depending on the types of terminal and Ex components used).

**NORMATIVE**

Atex & IECEx directive and normative:

- Atex 2014/34/EU directive
- IP66 according to IEC Standard EN 62208 and EN 60529.
- IP (W) 66 corrosive environments.
- IEC 62208 and EN 62262. Degree of resistance against impact IK10.
- UNE-EN 60079-0:2011
- UNE-EN 60079-7:2007
- UNE-EN 60079-31:2014
- Operating temperature (ambience): -25° a ≤60°C.

**CE CERTIFICATE**

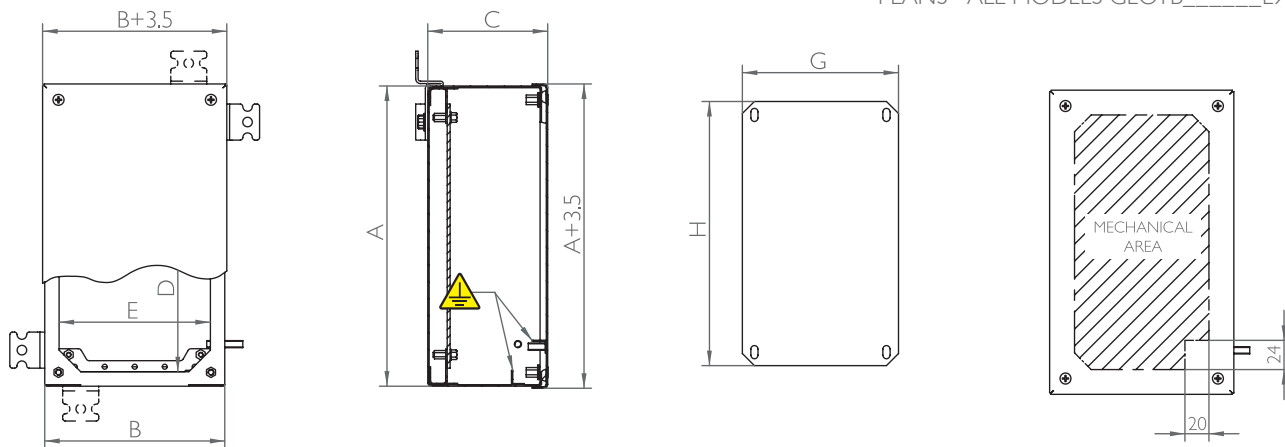


		☎ +34 945 601 381 Paso el Prao 6 Oyón, 01320 (Spain) atex@atexdelvalle.com www.atexdelvalle.com	
CE 163 Ex		II 2G Ex e IIC T6 Gb II 2D Ex tb IIIC T85°C Db	
LOM 14 ATEX 2082		Type: GEOTB202012EX	
U <sub>N</sub> =	V	-25°C<Ta<+60°C	IP66
I <sub>N</sub> =	A	S. Nº / Year PV1415-00570-1A / 2014	

DO NOT OPEN WHEN ENERGIZED

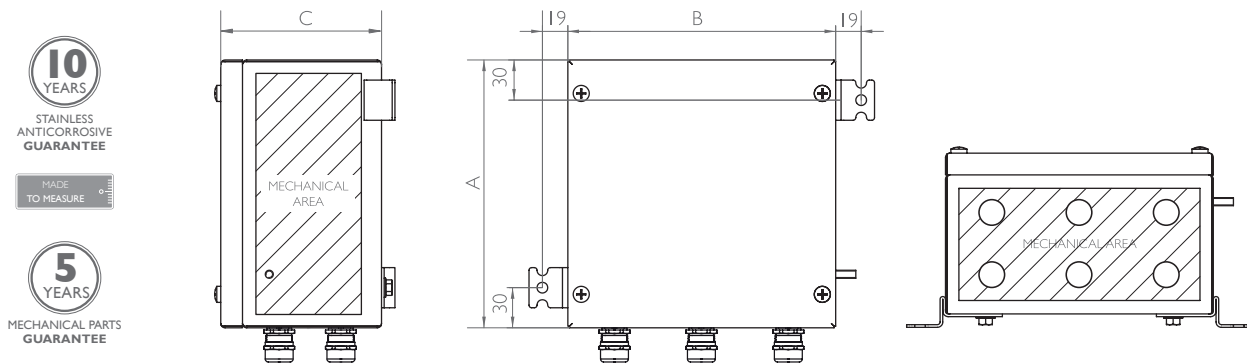
**PLANS AND REFERENCES**

PLANS - ALL MODELS GEOTB\_\_\_\_\_EX



REFERENCES	N° TERMINALS														
REFERENCES	N° RAILS	DIMENSIONS (mm)			6 A	10 A	16 A	24 A	32 A	50 A	80 A	110 A	130 A	150 A	230 A
		HEIGHT A	WIDTH B	DEPTH C	1,5 mm <sup>2</sup>	2,5 mm <sup>2</sup>	4 mm <sup>2</sup>	6 mm <sup>2</sup>	10 mm <sup>2</sup>	16 mm <sup>2</sup>	35 mm <sup>2</sup>	70 mm <sup>2</sup>	95 mm <sup>2</sup>	120 mm <sup>2</sup>	240 mm <sup>2</sup>
GEOTB11190EX	1	110	110	90	7	5	5	5	--	--	--	--	--	--	--
GEOTB11690EX	1	110	160	90	15	13	10	8	--	--	--	--	--	--	--
GEOTB132612EX	1	130	260	120	30	25	20	18	13	--	--	--	--	--	--
GEOTB161190EX	1	160	110	90	15	13	10	8	--	--	--	--	--	--	--
GEOTB261312EX	1	260	130	120	25	20	18	13	--	--	--	--	--	--	--
GEOTB202012EX	2	200	200	120	70	50	45	40	30	15	8	--	--	--	--
GEOTB203015EX	2	200	300	150	100	90	70	60	50	40	25	10	8	--	--
GEOTB252515EX	2	250	250	150	90	75	60	50	40	30	15	7	5	--	--
GEOTB302015EX	2	300	200	150	100	90	70	60	50	40	25	10	8	--	--
GEOTB303015EX	3	300	300	150	130	100	80	70	60	50	35	25	20	--	--
GEOTB404017EX	3	400	400	170	150	130	100	80	70	60	45	35	25	--	--
GEOTB505017EX	3	500	500	170	200	150	130	120	100	80	55	40	35	10	8
GEOTB606017EX	4	600	600	170	250	200	140	130	110	90	60	50	35	20	30

PLANS - MODELS GEOTB505017EX AND GEOTB606017EX

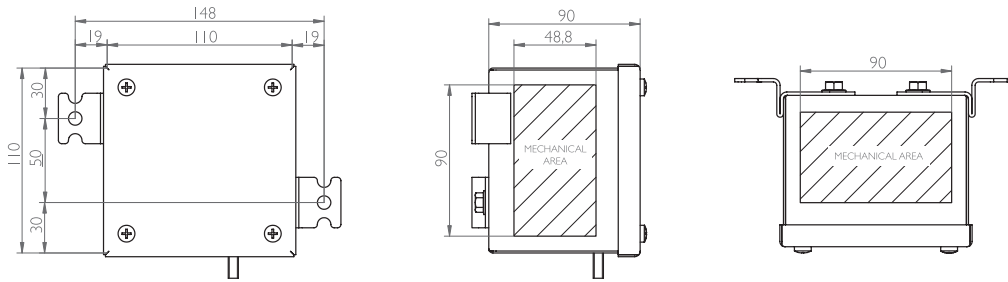


**10 YEARS**  
STAINLESS ANTICORROSION GUARANTEE

MADE TO MEASURE

**5 YEARS**  
MECHANICAL PARTS GUARANTEE

**MEASURES 110X100X90**



MAXIMUM NUMBER OF INPUTS PER SIDE							
THREAD SIZE	M12	M16	M20	M25	M32	M40	M50
BOTTOM AND TOP	14	8	6	5	3	1	1
SIDES	14	8	6	5	3	1	1

REFERENCES	MAXIMUM NUMBER TERMINALS			
REFERENCES	SECTION mm <sup>2</sup>	CURRENT MAX. (A)	VOLTAGE MAX. (V)	N° RAILS
ZDU 1.5	1.5	15	550	6
ZDU 2.5	2.5	21	550	5
ZDU 4	4	28	550	5
ZDU 6	6	36	550	4

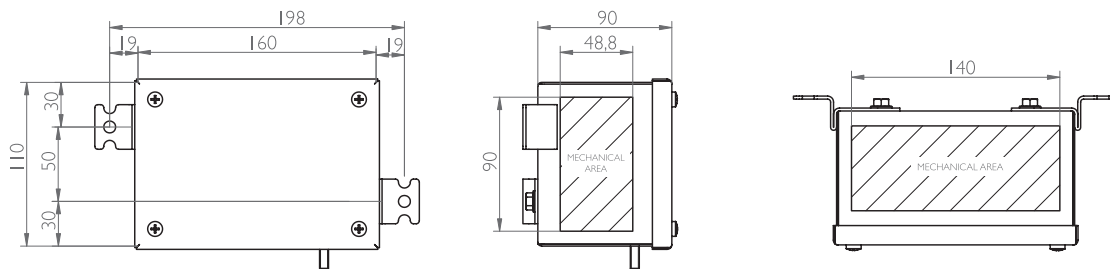


STAINLESS ANTICORROSIVE GUARANTEE



MECHANICAL PARTS GUARANTEE

**MEASURES 110X160X90**

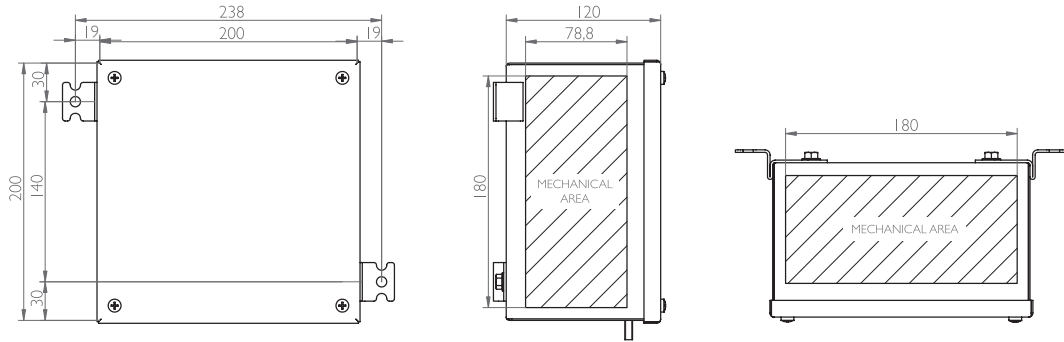


MAXIMUM NUMBER OF INPUTS PER SIDE							
THREAD SIZE	M12	M16	M20	M25	M32	M40	M50
BOTTOM AND TOP	14	8	6	5	3	1	1
SIDES	23	15	10	7	5	3	2

REFERENCES	MAXIMUM NUMBER TERMINALS			
REFERENCES	SECTION mm <sup>2</sup>	CURRENT MAX. (A)	VOLTAGE MAX. (V)	N° RAILS
ZDU 1.5	1.5	15	550	15
ZDU 2.5	2.5	20	550	13
ZDU 4	4	28	550	10
ZDU 6	6	36	550	8



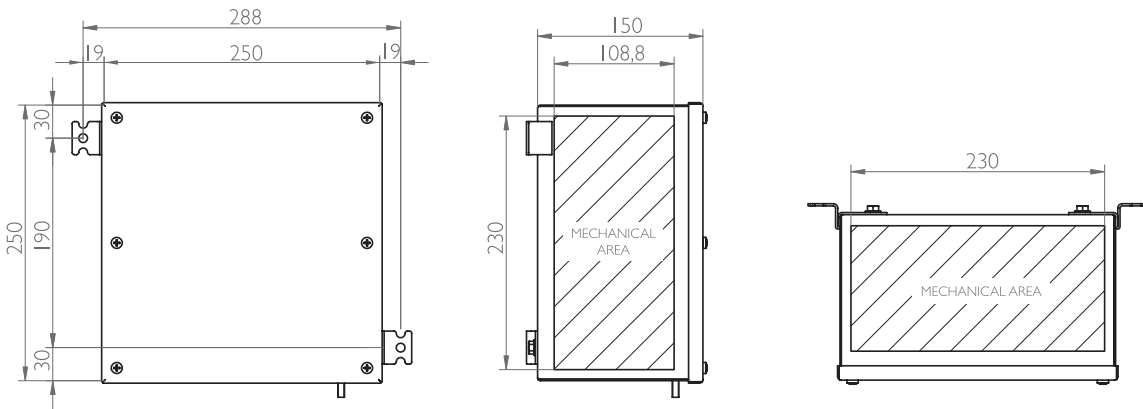
**MEASURES 200X200X120**



MAXIMUM NUMBER OF INPUTS PER SIDE									
THREAD SIZE	M12	M16	M20	M25	M32	M40	M50	M63	M75
BOTTOM AND TOP	48	30	20	14	8	5	3	2	1
SIDES	29	20	13	9	5	3	2	-	-

REFERENCES	MAXIMUM NUMBER TERMINALS			
	SECTION mm <sup>2</sup>	CURRENT MAX. (A)	VOLTAGE MAX. (V)	N° RAILS
ZDU 1.5	1.5	15	550	60
ZDU 2.5	2.5	20	550	50
ZDU 4	4	28	550	45
ZDU 6	6	36	550	40
ZDU 10	10	50	550	30
ZDU 16	16	63	550	15
WDU 35	35	109	690	8

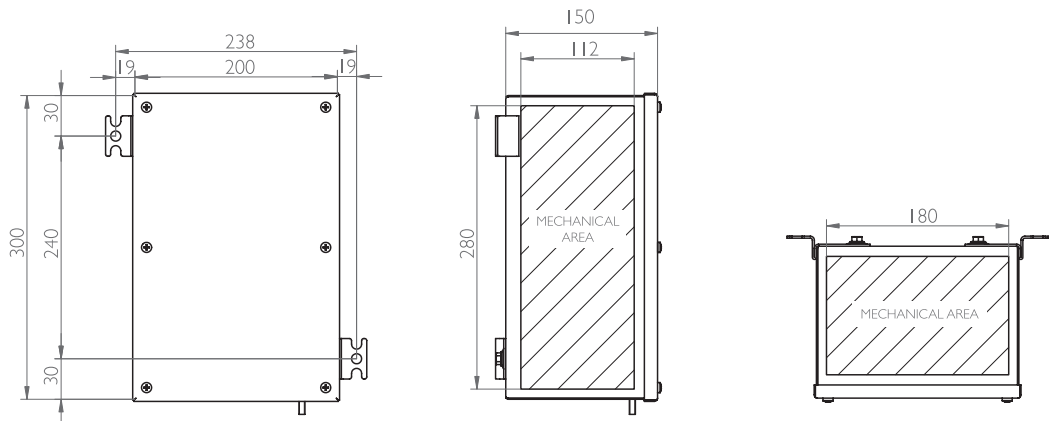
**MEASURES 250X250X150**



MAXIMUM NUMBER OF INPUTS PER SIDE									
THREAD SIZE	M12	M16	M20	M25	M32	M40	M50	M63	M75
BOTTOM AND TOP	75	48	34	26	14	8	5	3	2
SIDES	50	29	26	20	9	5	3	2	2

REFERENCES	MAXIMUM NUMBER TERMINALS			
	SECTION mm <sup>2</sup>	CURRENT MAX. (A)	VOLTAGE MAX. (V)	N° RAILS
ZDU 1.5	1.5	15	550	80
ZDU 2.5	2.5	20	550	75
ZDU 4	4	28	550	60
ZDU 6	6	36	550	50
ZDU 10	10	50	550	40
ZDU 16	16	63	550	30
WDU 35	35	109	690	20
WDU 70	70	167	690	15
WDU 95	95	202	690	15

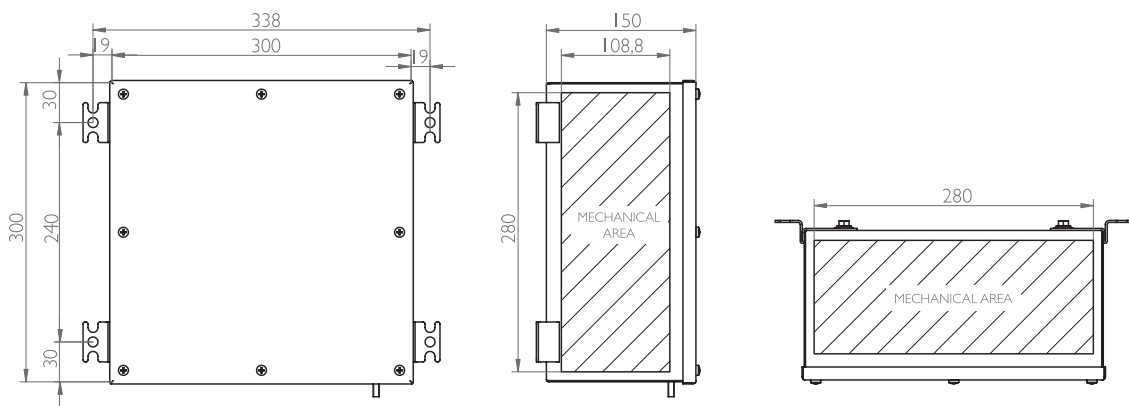
**MEASURES 300X200X150**



MAXIMUM NUMBER OF INPUTS PER SIDE									
THREAD SIZE	M12	M16	M20	M25	M32	M40	M50	M63	M75
BOTTOM AND TOP	93	63	42	30	17	11	7	3	3
SIDES	38	30	20	14	8	5	3	2	1

REFERENCES	MAXIMUM NUMBER TERMINALS			
REFERENCES	SECTION mm <sup>2</sup>	CURRENT MAX. (A)	VOLTAGE MAX. (V)	N° RAILS
ZDU 1.5	1.5	15	550	100
ZDU 2.5	2.5	20	550	90
ZDU 4	4	28	550	70
ZDU 6	6	36	550	55
ZDU 10	10	50	550	50
ZDU 16	16	63	550	35
WDU 35	35	109	690	25
WDU 70	70	167	690	15
WDU 95	95	202	750	15

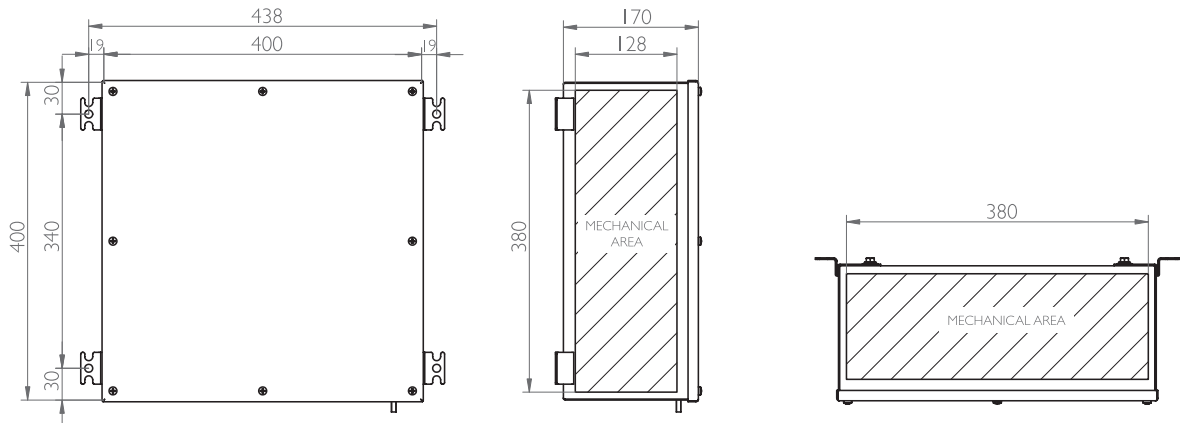
**MEASURES 300X300X150**



MAXIMUM NUMBER OF INPUTS PER SIDE									
THREAD SIZE	M12	M16	M20	M25	M32	M40	M50	M63	M75
BOTTOM AND TOP	87	63	43	30	18	11	7	3	2
SIDES	58	38	29	23	14	7	5	3	2

REFERENCES	MAXIMUM NUMBER TERMINALS			
REFERENCES	SECTION mm <sup>2</sup>	CURRENT MAX. (A)	VOLTAGE MAX. (V)	N° RAILS
ZDU 1.5	1.5	15	550	110
ZDU 2.5	2.5	20	550	100
ZDU 4	4	28	550	80
ZDU 6	6	36	550	65
ZDU 10	10	50	550	60
ZDU 16	16	66	550	41
WDU 35	35	109	690	35
WDU 70	70	167	690	25
WDU 95	95	202	750	25

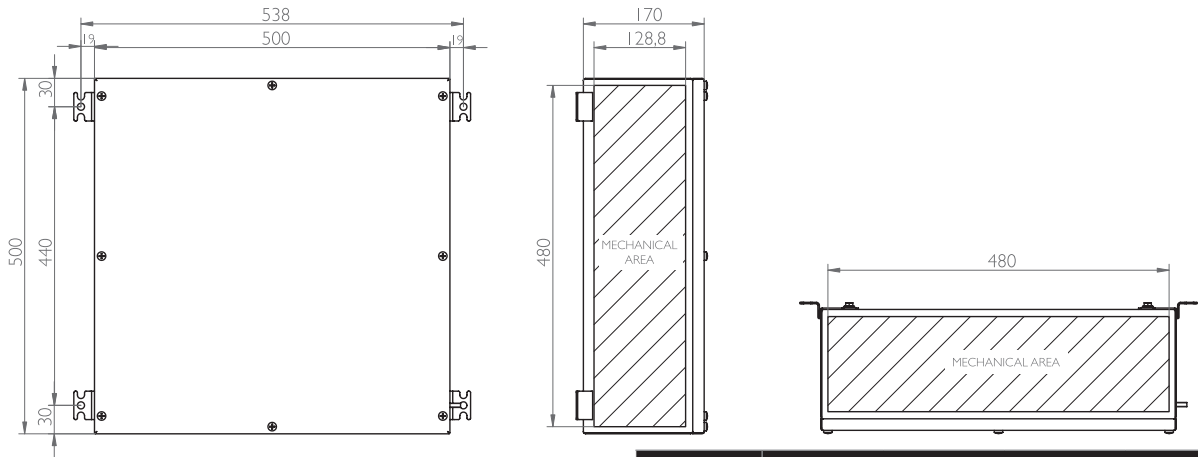
## MEASURES 400X400X170



MAXIMUM NUMBER OF INPUTS PER SIDE									
THREAD SIZE	M12	M16	M20	M25	M32	M40	M50	M63	M75
BOTTOM AND TOP	87	63	43	30	18	11	7	3	2
SIDES	58	38	29	23	14	7	5	3	2

REFERENCES	MAXIMUM NUMBER TERMINALS			
	SECTION mm <sup>2</sup>	CURRENT MAX. (A)	VOLTAGE MAX. (V)	N° RAILS
ZDU 1.5	1.5	15	550	110
ZDU 2.5	2.5	20	550	100
ZDU 4	4	28	550	80
ZDU 6	6	36	550	65
ZDU 10	10	50	550	60
ZDU 16	16	66	550	41
WDU 35	35	109	690	35
WDU 70	70	167	690	25
WDU 95	95	202	750	25

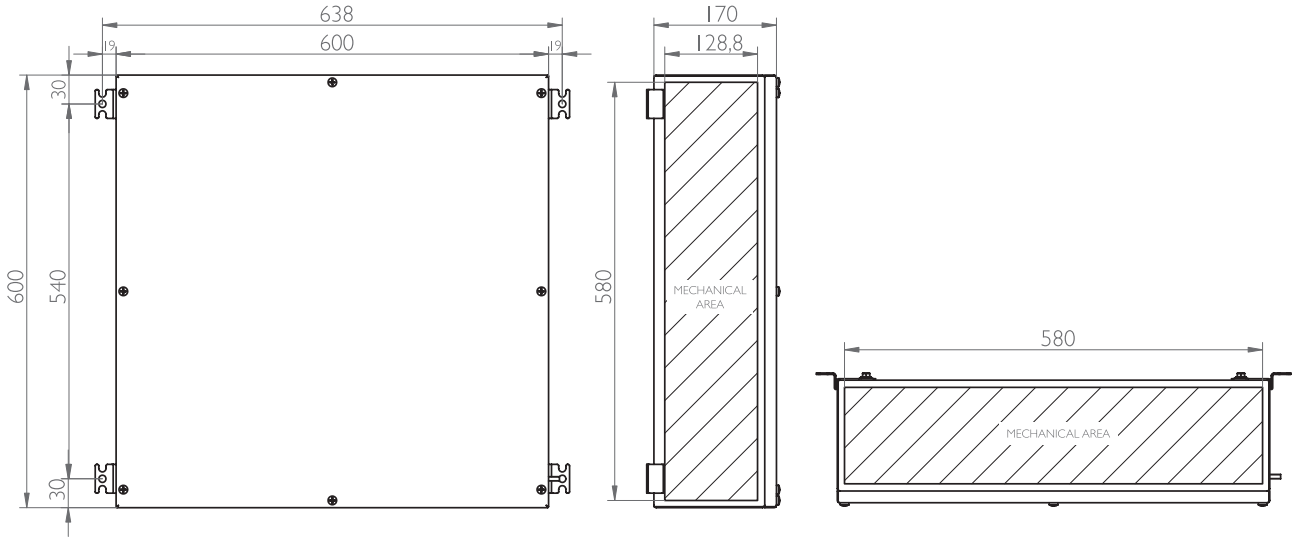
## MEASURES 500X500X170



MAXIMUM NUMBER OF INPUTS PER SIDE									
THREAD SIZE	M12	M16	M20	M25	M32	M40	M50	M63	M75
BOTTOM AND TOP	137	109	87	50	38	23	13	7	4
SIDES	98	78	58	38	29	15	11	5	4

REFERENCES	MAXIMUM NUMBER TERMINALS			
	SECTION mm <sup>2</sup>	CURRENT MAX. (A)	VOLTAGE MAX. (V)	N° RAILS
ZDU 1.5	1.5	15	550	170
ZDU 2.5	2.5	20	550	150
ZDU 4	4	28	550	100
ZDU 6	6	36	550	75
ZDU 10	10	50	550	60
ZDU 16	16	63	550	50
WDU 35	35	109	690	40
WDU 70	70	167	690	35
WDU 95	95	202	750	35
WDU 120	120	234	1100	30
WDU 240	240	350	1100	30

**MEASURES 600X600X170**



MAXIMUM NUMBER OF INPUTS PER SIDE									
THREAD SIZE	M12	M16	M20	M25	M32	M40	M50	M63	M75
BOTTOM AND TOP	137	109	87	50	38	23	13	7	4
SIDES	98	78	58	38	29	15	11	5	4

REFERENCES	MAXIMUM NUMBER TERMINALS			
REFERENCES	SECTION mm <sup>2</sup>	CURRENT MAX. (A)	VOLTAGE MAX. (V)	N° RAILS
ZDU 1.5	1.5	15	550	200
ZDU 2.5	2.5	20	550	160
ZDU 4	4	28	550	100
ZDU 6	6	36	550	75
ZDU 10	10	50	550	60
ZDU 16	16	63	550	50
WDU 35	35	109	690	40
WDU 70	70	167	690	40
WDU 95	95	202	750	35
WDU 120	120	234	1100	30
WDU 240	240	350	1100	30





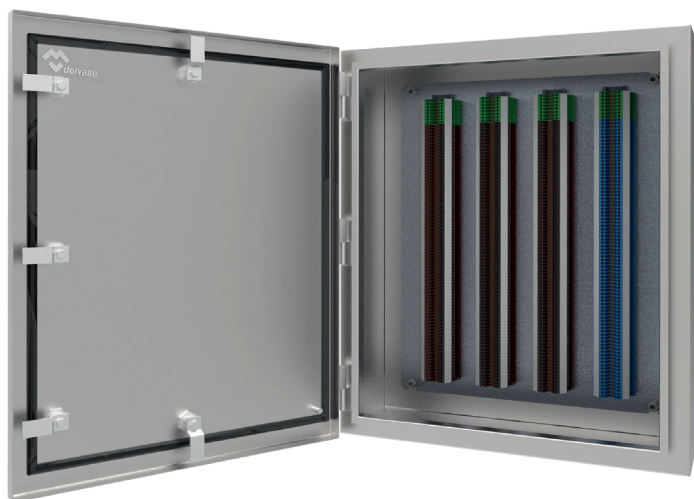
Zones I, 2, 21 and 22

# HINGED TERMINAL & JUNCTION BOXES

## TERBOX - LUXOREX SERIES IP66



Examples



### Easy to Open

The terminal box with Terbox-Luxorex Series closures and hinges have been developed with a LOM I 4ATEX3026U component certificate, sturdy and IP66 sealing.

These boxes can be used with increased safety protection mode "Ex e" including increased safety connection terminals or an "Ex t" enclosure protection mode.

These boxes stand out for incorporating Atex & IECEx components already installed inside them, without needing to re-homologize in a laboratory once assembled.

These stations are solely valid for flammable dust environments those stations where all the built-in components are suitable for group III.

➔ [FOR MORE INFORMATION CLICK HERE](#)

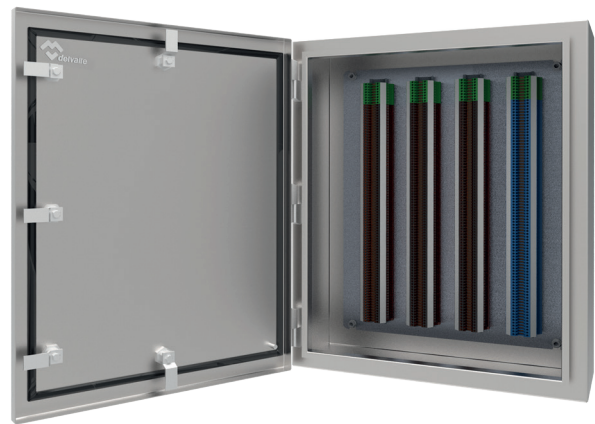


## ADVANTAGES

- Simple door opening with double bit fasteners.
- Great gate opening | 20°.
- Robustness, safety, reliability tested.
- Polished finish on all sides.
- Large interior space that simplifies connection operations.
- Atex & IECEx components already installed inside.
- Indoor and outdoor use.
- Guaranteed corrosion protection.
- Great safety and resistance in the most aggressive explosive environments thanks to the design and materials used in its manufacture.

## OPTIONS

- Boxes used as maneuver stations, incorporating certified components of connection, maneuver and Signalling: pushbuttons, emergency mushrooms, lights, pushbuttons.
- Boxes used with enclosure protection mode.
- These control stations may be used for connection of intrinsically safe circuits but not in combination with non-intrinsically safe circuits.



## TECHNICAL CHARACTERISTICS

They are designed for a voltage up to 1100V and for a maximum ambient temperature up to +60°C, according to the kind of temperatures marked and currents assigned.

They are able to work between two temperature ranges, giving it greater versatility:

- $-25^{\circ}\text{C} \leq T_a \leq 60^{\circ}\text{C}$
- $-25^{\circ}\text{C} \leq T_a \leq 40^{\circ}\text{C}$  when high current and temperature T6 are required.

As for the envelope, it is a box made of Luxorex stainless steel, which has the following characteristics:

- Ex Atex door cabinets made of stainless steel AISI 304L or AISI 316L and a satin polished surface finish.
- They are intended to be used in explosive atmospheres classified as zones 1, 2, 21 and 22 and to place Ex components and terminals inside, as well as cable glands.
- Unique monobloc system that achieves perfect sealing and impact resistance. With body pre-assembled, door and minimum welding.
- Earth mass for external connection.
- With double-bit quarter-turn locks and hinges made of stainless steel.
- Very resistant polyurethane seal at  $-25^{\circ}\text{C}$  to  $+60^{\circ}\text{C}$ .

## TERMINALS



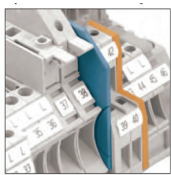
Atex Delvalle mounts in Terbox Series, Weidmüller brand terminals.

We can also use other brands on request such as:

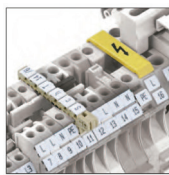


Delvalle offers users a wide range of accessories as ideal solutions for all possible tasks, even beyond the standard functions.

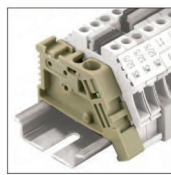
These accessories meet the same quality standards as the terminals themselves.



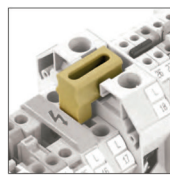
Visual separation endcaps



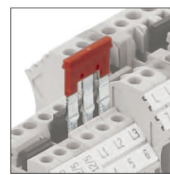
Signalling



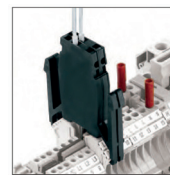
Fixation



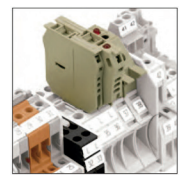
Electrical power supply



Electrical distribution



Testing



Specific functions, color variations

## PROTECTION MODE

This box is certified for use in potentially explosive atmospheres of zones 1, 2, 21 and 22 and may be used with increased safety protection mode "Ex e" including increased safety connection terminals or enclosure protection mode "Ex t".

- Degree of protection Nema 4X, 12, 3r and I by request
- Certificate empty box terminal:
  - LOM I4ATEX3026U
- Certificate Terbox:
  - LOM I7ATEX1011
- Certificate quality:
  - LOM I4ATEX9050
- II 2G Ex eb IICT6/T5 Gb
- II 2D Ex tb IICT85°C/100°C Db
- IP66 protection
- Degree of resistance against impact IK10



STAINLESS ANTICORROSIVE GUARANTEE



MECHANICAL PARTS GUARANTEE

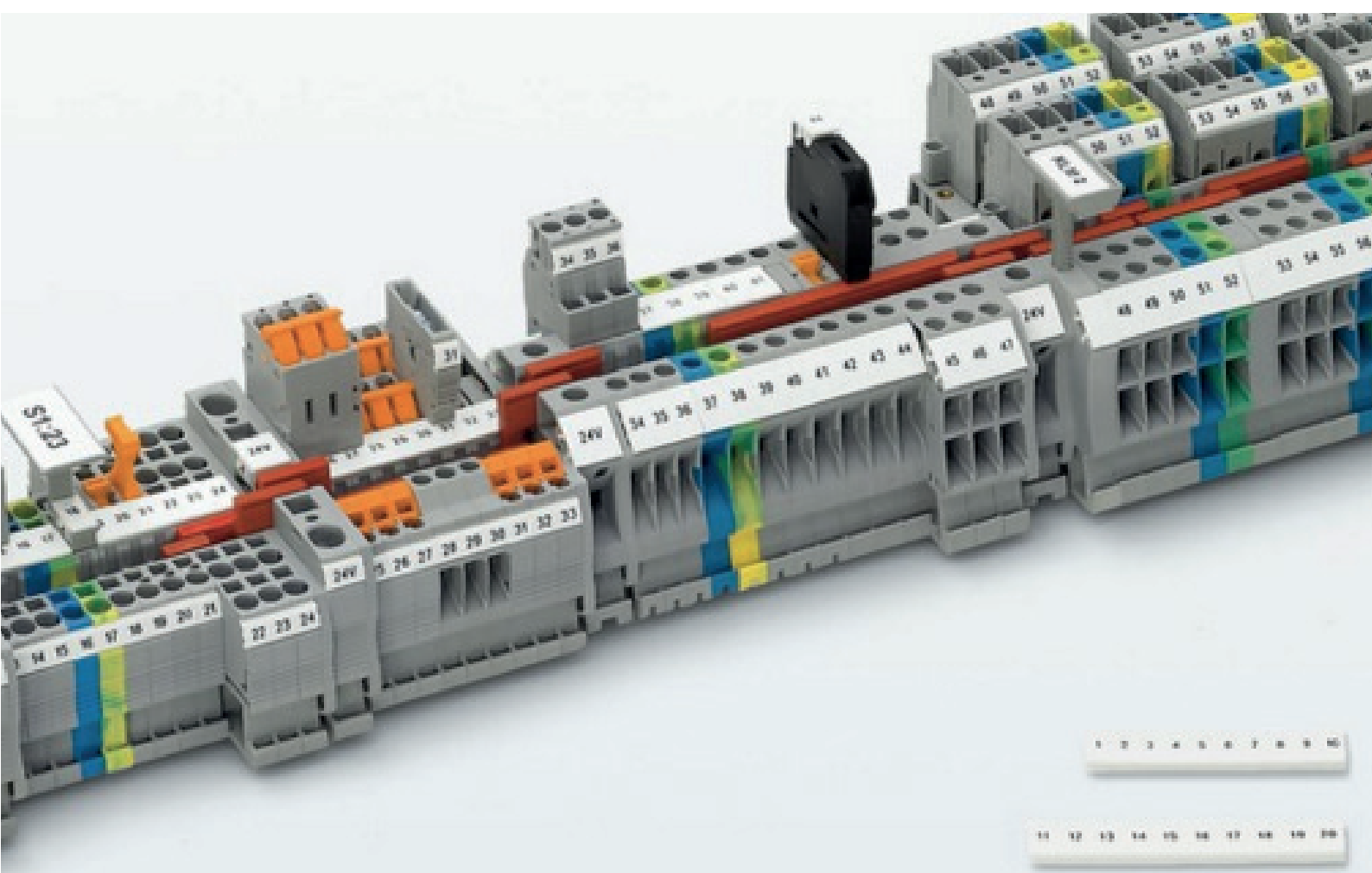
## NORMATIVE

Atex & IECEx directive and normative:

- Atex 2014/34/EU directive
- IP66 according to IEC Standard EN 62208 and EN 60529.
- IP (W) 66 corrosive environments.
- IEC 62208 and EN 62262. Degree of resistance against impact IK10.
- UNE-EN 60079-0:2011
- UNE-EN 60079-7:2007
- UNE-EN 60079-31:2014
- Operating temperature (ambience): -25° a ≤40°C.

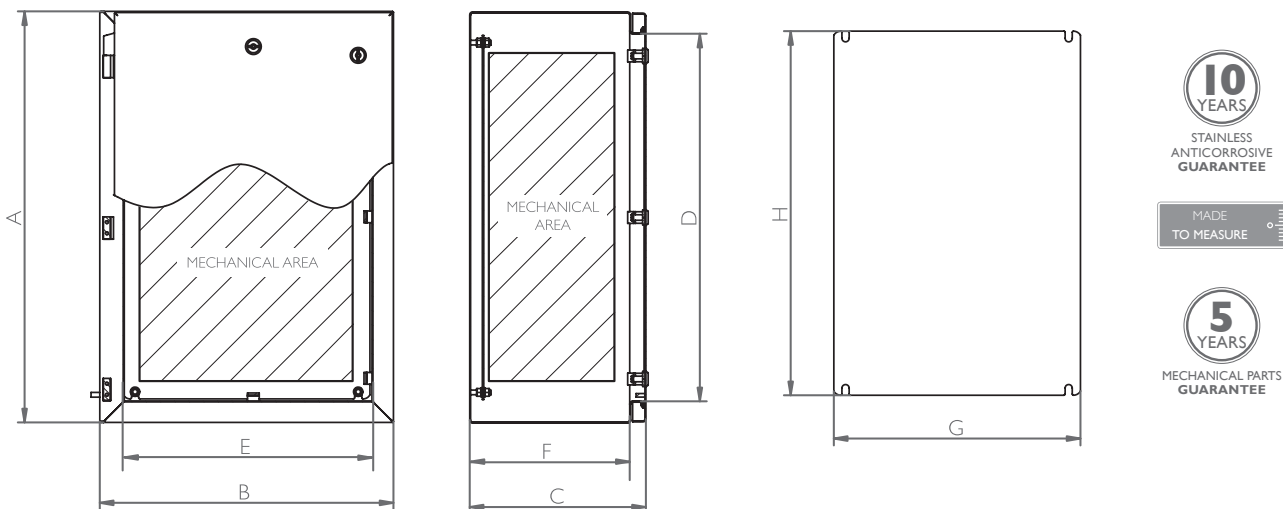
**NUMBER OF TERMINALS PER SIZE**

REFERENCES	DIMENSIONS (mm)																
	TERBOX LUXOREX	HEIGHT A	WIDTH B	DEPTH C	RAILS	1,5 mm <sup>2</sup>	2,5 mm <sup>2</sup>	4 mm <sup>2</sup>	6 mm <sup>2</sup>	10 mm <sup>2</sup>	16 mm <sup>2</sup>	35 mm <sup>2</sup>	70 mm <sup>2</sup>	95 mm <sup>2</sup>	120 mm <sup>2</sup>	240 mm <sup>2</sup>	300 mm <sup>2</sup>
LXCS302015EX	300	200	155	2	75	60	29	21	17	14	11	6	6	6	-	-	
LXCS383015EX	380	300	155	2	115	90	70	60	40	40	30	8	8	8	6	4	
LXCS383021EX	380	300	210	2	115	90	70	60	40	40	30	8	8	8	6	4	
LXCS603815EX	600	380	155	2	115	90	70	60	40	40	30	8	8	8	6	4	
LXCS603821EX	600	380	210	2	115	90	70	60	40	40	30	8	8	8	6	4	
LXCS404021EX	400	400	210	2	115	90	70	60	40	40	30	8	8	8	6	4	
LXCS504021EX	500	400	210	3	260	210	165	135	105	90	60	26	26	26	10	8	
LXCS505021EX	500	500	210	3	260	210	165	135	105	90	60	26	26	26	10	8	
LXCS705021EX	700	500	210	3	260	210	165	135	105	90	60	26	26	26	10	8	
LXCS605021EX	600	500	210	4	450	360	300	220	180	114	84	34	34	34	24	20	
LXCS606021EX	600	600	210	4	450	360	300	220	180	114	84	34	34	34	24	20	
LXCS606030EX	600	600	300	4	450	360	300	220	180	114	84	34	34	34	24	20	
LXCS806030EX	800	600	300	5	750	600	525	400	260	215	160	72	72	72	54	45	
LXCS808030EX	800	800	300	5	750	600	525	400	260	215	160	72	72	72	54	45	
LXCS108030EX	1000	800	300	6	1200	990	840	630	510	420	300	90	90	90	66	50	
LXCS101030EX	1000	1000	300	5	1200	990	840	630	510	420	300	90	90	90	66	50	





## PLAN



## REFERENCES

REFERENCES	DIMENSIONS (mm)								
	HEIGHT A	WIDTH B	DEPTH C	INSIDE HEIGHT D	INSIDE WIDTH E	INSIDE DEPTH F	MACHINABLE SIDE AREA		PLATE MEASUREMENTS GxH
TERBOX LUXOREX							DOOR	LATERAL	
LXCS302015EX	300	200	155	226	121,8	126	113x134,5	270x97,5	220x120
LXCS383015EX	380	300	155	306	221,8	126	193x134,5	350x97,5	300x220
LXCS383021EX	380	300	210	306	221,8	181	193x134,5	350x152,5	300x220
LXCS603815EX	600	380	155	526	301,8	126	413x214,5	570x97,5	520x300
LXCS603821EX	600	380	210	526	301,8	181	413x214,5	570x152,5	520x300
LXCS404021EX	400	400	210	326	321,8	181	213x234,5	370x152,5	320x320
LXCS504021EX	500	400	210	426	321,8	181	313x234,5	470x152,5	420x320
LXCS505021EX	500	500	210	426	421,8	181	313x334,5	470x152,5	420x420
LXCS705021EX	700	500	210	626	421,8	181	513x334,5	670x152,5	620x420
LXCS605021EX	600	500	210	526	421,8	181	413x334,5	570x152,5	520x420
LXCS606021EX	600	600	210	526	521,8	181	413x434,5	570x152,5	520x520
LXCS606030EX	600	600	300	526	521,8	271	413x434,5	570x242,5	520x520
LXCS806030EX	800	600	300	726	521,8	271	613x434,5	770x242,5	720x520
LXCS808030EX	800	800	300	726	721,8	271	613x634,5	770x242,5	720x720
LXCS108030EX	1000	800	300	926	721,8	271	813x634,5	970x242,5	920x720
LXCS101030EX	1000	1000	300	926	921,8	271	813x834,5	970x242,5	920x920

Separation depth plate 20mm



Zones 1, 2, 21 and 22

# HIGH CAPACITY TERMINAL BOXES

## TERBOX - TRIBEX SERIES IP66



Examples

### High Terminal Capacity

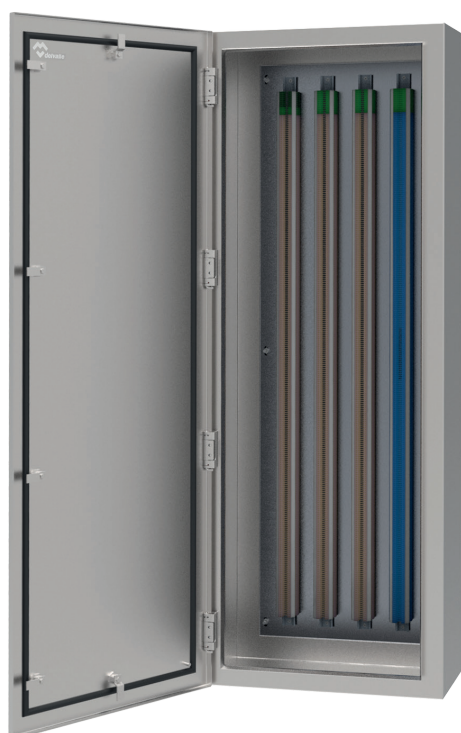
The Terbox-Tribex Series has the biggest terminal capacity available in the world, with certificate of component LOM I4ATEX3027U.

These boxes stand out for incorporating Atex & IECEx components already installed inside them, without needing to re-homologize in a laboratory once assembled.

➔ [FOR MORE INFORMATION CLICK HERE](#)

### ADVANTAGES

- Large dimensions, high terminal boxes capacity.
- Atex & IECEx components already installed inside.
- Indoor and outdoor use
- Large interior space that simplifies connection operations.
- Anti-corrosion protection guaranteed.
- It can store a large number of terminals, up to 1550 terminals in a single cabinet.
- Robustness, safety, reliability tested.
- Great safety and corrosion resistance in the most aggressive explosive environments thanks to the design and materials used in its manufacture.
- Double access option (front and rear doors).



## TECHNICAL CHARACTERISTICS

They are designed for a maximum voltage up to 1100V and for maximum ambient temperature up to 60 °C, depending on to the kind of temperature marked and currents assigned.

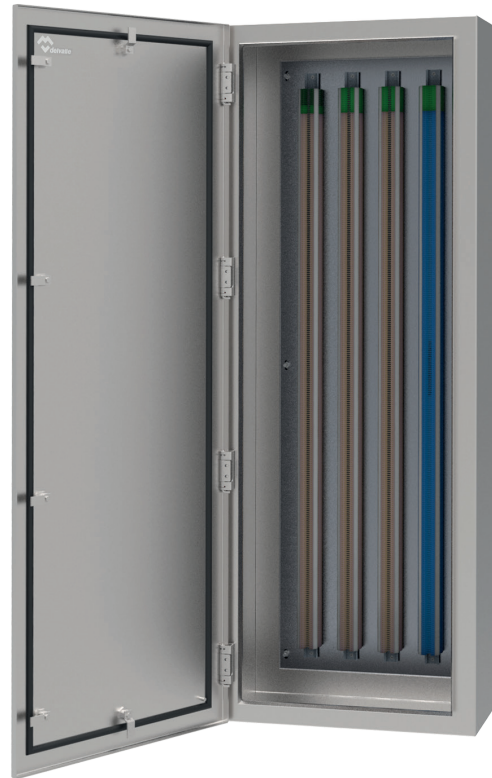
They are able to work between two temperature ranges giving greater versatility:

- $-25^{\circ}\text{C} \leq T_a \leq 60^{\circ}\text{C}$
- $-25^{\circ}\text{C} \leq T_a \leq 40^{\circ}\text{C}$

Each of the built-in components works for the purpose of thermal dissipation and temperature control in the same way as if they were terminals.

Regarding the enclosure, it is a box made of stainless steel Tribex, which has the following characteristics:

- Ex Atex cabinet doors made of stainless steel AISI 304L or AISI 316L and a satin polished surface finish.
- They are intended to be used in explosive atmospheres classified as zones 1, 2, 21 and 22 and to place Ex components and terminals inside, as well as cable glands.
- Unique monobloc system that achieves perfect sealing and impact resistance. Pre-assembled body and door with minimum welding.
- Earth mass for external connection.
- With double-bit quarter-turn locks and hinges made of stainless steel.
- Very resistant polyurethane seal from  $-25^{\circ}\text{C}$  to  $+60^{\circ}\text{C}$ .
- Plugs, holes and hinges that resist from  $-25^{\circ}\text{C}$  to  $+60^{\circ}\text{C}$ .



## OPTIONS

- The enclosures can be used with increased safety protection mode “Ex e” including increased safety connection terminals or an “Ex t” envelope protection mode.
- Boxes used as maneuver stations, incorporating certified components of connection, maneuver, signalling: push-buttons, emergency mushrooms and lights.
- Boxes used with enclosure protection mode.
- These control stations may be used for connection of intrinsically safe circuits but not in combination with non-intrinsically safe circuits.

# HIGH CAPACITY TERMINAL BOXES **TERBOX - TRIBEX SERIES** IP66

## TERMINALS

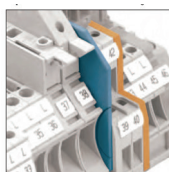
**Weidmüller** 

Atex Delvalle mounts in Terbox Series, Weidmüller brand terminals.  
We can also use other brands on request such as:

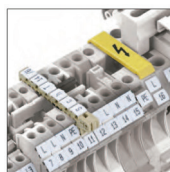


Delvalle offers users a wide range of accessories as ideal solutions for all possible tasks, even beyond the standard functions.

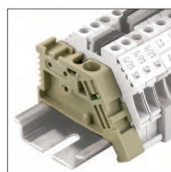
These accessories meet the same quality standards as the terminals themselves.



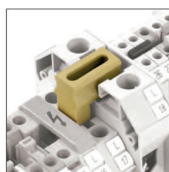
Visual separation endcaps



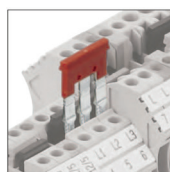
Signalling



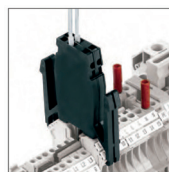
Fixation



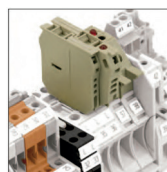
Electrical power supply



Electrical distribution



Testing



Specific functions, color variations

## PROTECTION MODE

This box is certified for use in potentially explosive atmospheres of zones 1, 2, 21 and 22 and may be used with increased safety protection mode "Ex e" including increased safety connection terminals or enclosure protection mode "Ex t".

- Certificate empty box terminal:
  - LOM I4ATEX3027U
- Certificate Terbox:
  - LOM I7ATEX1012
- Certificate quality:
  - LOM I4ATEX9050
- II 2G Ex eb IICT6/T5 Gb
- II 2D Ex tb IICT85°C/100°C Db
- Protection degree Nema 4X, 12, 3r and I by request
- Degree of resistance against impact IK10
- IP66 protection



STAINLESS  
ANTICORROSIVE  
GUARANTEE



MECHANICAL PARTS  
GUARANTEE

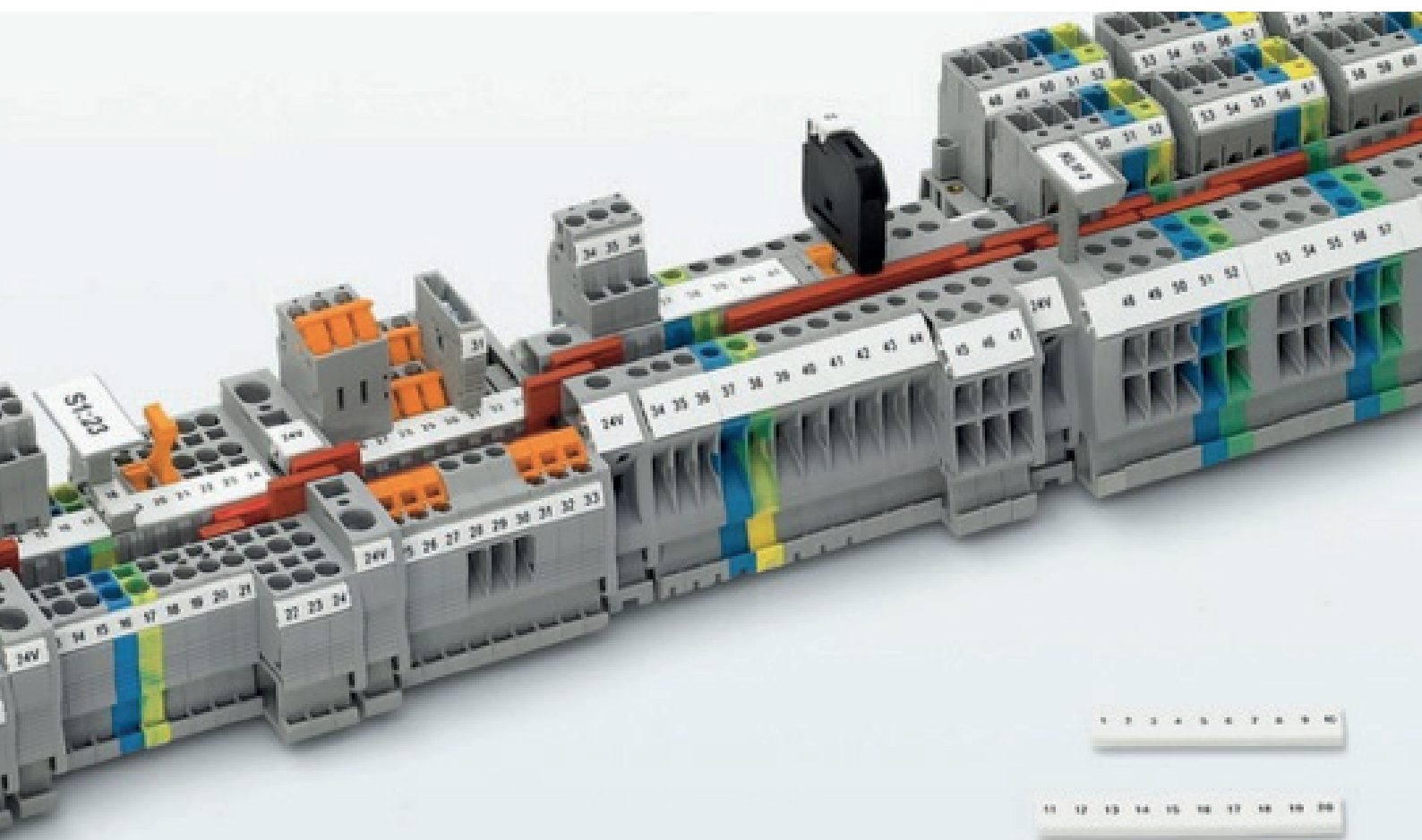
## NORMATIVE

Atex & IECEx directive and normative:

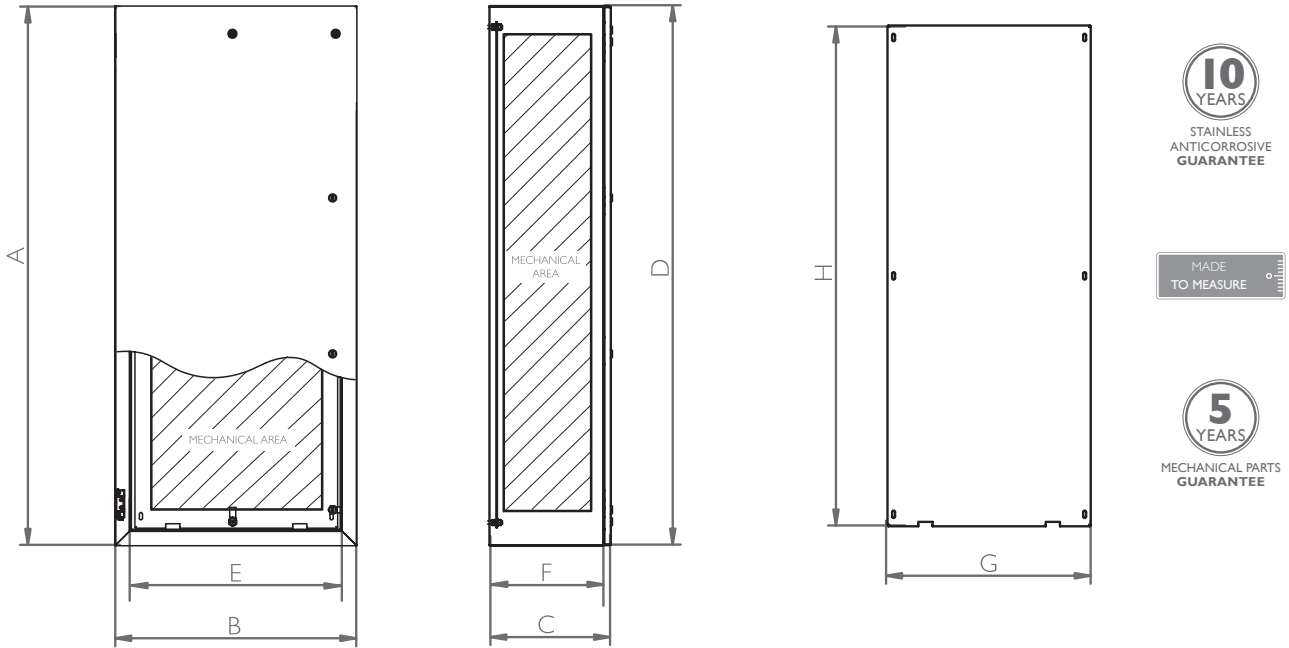
- Atex 2014/34/EU directive
- IP66 according to IEC Standard EN 62208 and EN 60529.
- IP (W) 66 corrosive environments.
- IEC 62208 and EN 62262. Degree of resistance against impact IK10.
- UNE-EN 60079-0:2011
- UNE-EN 60079-7:2007
- UNE-EN 60079-31:2014
- Operating temperature (ambience):  
-25° a ≤40°C.

## NUMBER OF TERMINALS PER SIZE

REFERENCES	DIMENSIONS (mm)															
	HEIGHT A	WIDTH B	DEPTH C	RAILS	1,5 mm <sup>2</sup>	2,5 mm <sup>2</sup>	4 mm <sup>2</sup>	6 mm <sup>2</sup>	10 mm <sup>2</sup>	16 mm <sup>2</sup>	35 mm <sup>2</sup>	70 mm <sup>2</sup>	95 mm <sup>2</sup>	120 mm <sup>2</sup>	240 mm <sup>2</sup>	300 mm <sup>2</sup>
TBCS126040EX	1200	600	400	4	950	760	640	500	400	320	240	70	70	70	54	48
TBCS128040EX	1200	800	400	4	950	760	640	500	400	320	240	70	70	70	54	48
TBCS121040EX	1200	1000	400	4	950	760	640	500	400	320	240	70	70	70	54	48
TBCS166040EX	1650	600	400	4	1340	1080	920	700	560	460	348	100	100	100	70	60
TBCS168040EX	1650	800	400	4	1340	1080	920	700	560	460	348	100	100	100	70	60
TBCS161040EX	1650	1000	400	4	1340	1080	920	700	560	460	348	100	100	100	70	60
TBCS186040EX	1800	600	400	4	1550	1260	1040	800	640	520	400	120	120	120	88	70
TBCS188040EX	1800	800	400	4	1550	1260	1040	800	640	520	400	120	120	120	88	70
TBCS188050EX	1800	800	500	4	1550	1260	1040	800	640	520	400	120	120	120	88	70
TBCS181040EX	1800	1000	400	4	1550	1260	1040	800	640	520	400	120	120	120	88	70
TBCS181050EX	1800	1000	500	4	1550	1260	1040	800	640	520	400	120	120	120	88	70
TBCS206040EX	2000	600	400	4	1550	1260	1040	800	640	520	400	120	120	120	88	70
TBCS208040EX	2000	800	400	4	1550	1260	1040	800	640	520	400	120	120	120	88	70
TBCS208050EX	2000	800	500	4	1550	1260	1040	800	640	520	400	120	120	120	88	70
TBCS208010EX	2000	800	1000	4	1550	1260	1040	800	640	520	400	120	120	120	88	70
TBCS201040EX	2000	1000	400	4	1550	1260	1040	800	640	520	400	120	120	120	88	70
TBCS201060EX	2000	1000	600	4	1550	1260	1040	800	640	520	400	120	120	120	88	70
TBCS201010EX	2000	1000	1000	4	1550	1260	1040	800	640	520	400	120	120	120	88	70



## PLAN



## REFERENCES

REFERENCES	DIMENSIONS (mm)							
TERBOX TRIBEX	HEIGHT A	WIDTH B	DEPTH C	INSIDE HEIGHT D	INSIDE WIDTH E	INSIDE DEPTH F	MACHINABLE SIDE AREA (F - 15mm per side)	PLATE MEASUREMENTS GxH
TBCS126040EX	1200	600	400	1116	546	370	340	1140x470
TBCS128040EX	1200	800	400	1116	746	370	340	1140x670
TBCS121040EX	1200	1000	400	1116	946	370	340	1140x870
TBCS166040EX	1650	600	400	1566	546	370	340	1590x470
TBCS168040EX	1650	800	400	1566	746	370	340	1590x670
TBCS161040EX	1650	1000	400	1566	946	370	340	1590x870
TBCS186040EX	1800	600	400	1716	546	370	340	1740x470
TBCS188040EX	1800	800	400	1716	746	370	340	1740x670
TBCS188050EX	1800	800	500	1716	746	470	440	1740x670
TBCS181040EX	1800	1000	400	1716	946	370	340	1740x870
TBCS181050EX	1800	1000	500	1716	946	470	440	1740x870
TBCS206040EX	2000	600	400	1916	546	370	340	1940x470
TBCS208040EX	2000	800	400	1916	746	370	340	1940x670
TBCS208050EX	2000	800	500	1916	746	470	440	1940x670
TBCS208010EX	2000	800	1000	1916	746	970	940	1940x670
TBCS201040EX	2000	1000	400	1916	946	370	340	1940x870
TBCS201060EX	2000	1000	600	1916	946	570	540	1940x870
TBCS201010EX	2000	1000	1000	1916	946	970	940	1940x870

Separation depth plate 20mm



# CABLE ENTRY COVERS **ATEX** IP65

Our ATEX cable trays keep IP65 protection (minimum).

An ideal complement when we do not know in advance the number of holes or glands to be fixed on the cabinet.

CUSTOM  
MANUFACTURE

(Drilling holes for the placement of cable glands, plugs...)



Cable entry cover: Luxorex, Tribex and Geoex models.

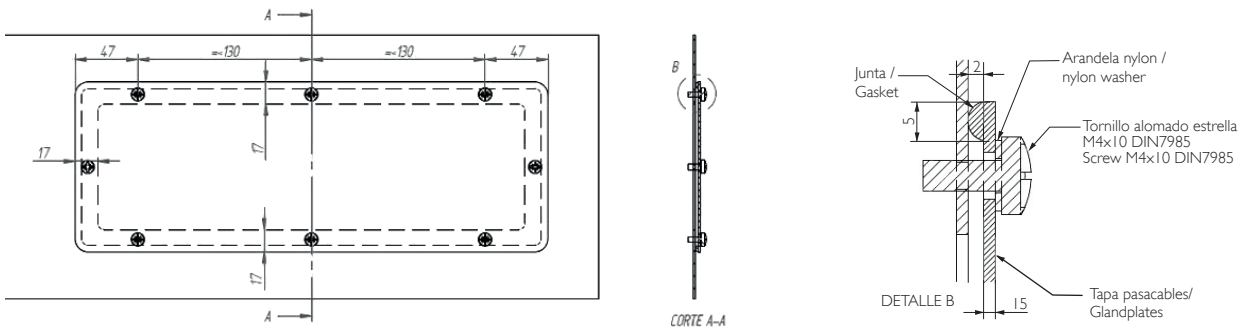


# CABLE ENTRY COVERS **ATEX** IP65

## CHARACTERISTICS

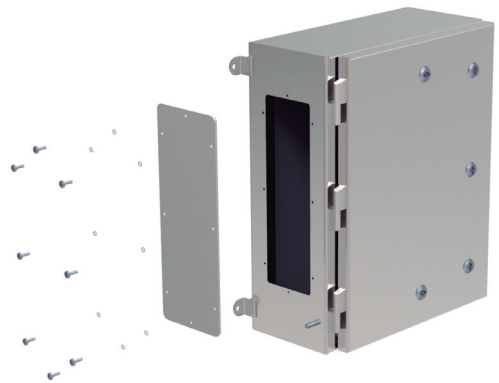
- Made in stainless steel.
- Custom-made: minimum size of 90mmx90mm and maximum size of 600mmx600mm (the widest range now available on the market).
- Thickness
- Two options: 1.5 mm and 3 mm.
- Certified Atex, Ex.
- Easy mounting with screws for easy drilling, keeping protection and Atex safety.

## BLUEPRINT AND DIMENSIONS



## REFERENCES

REFERENCES	DIMENSIONS (mm)			MACHINING
	HEIGHT -A-	WIDTH -B-	DEPTH -C-	MACHINABLE AREA (DxF)
TP909015EX	90	90	1,5	56x56
TP909030EX	90	90	3	56x56
TP149015EX	140	90	1,5	106x56
TP149030EX	140	90	3	106x56
TP259015EX	250	90	1,5	216x56
TP259030EX	250	90	3	216x56
TP351315EX	350	130	1,5	316x56
TP351330EX	350	130	3	316x56
TP503030EX	500	300	3	466x266
TP504030EX	500	400	3	466x366
TP606030EX	600	600	3	566x566



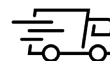
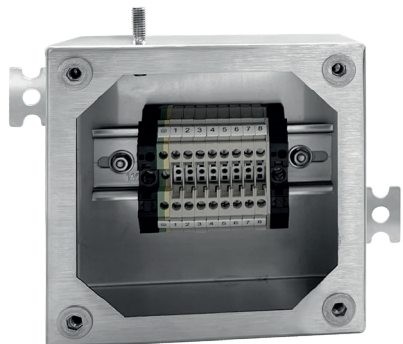




Zones 1, 2, 21 and 22

# STOCK ATEX STAINLESS STEEL JUNCTION BOX

## TERBOX SERIES IP66



**STOCK**  
Delivery Next Day



**Certified and just ready to install**

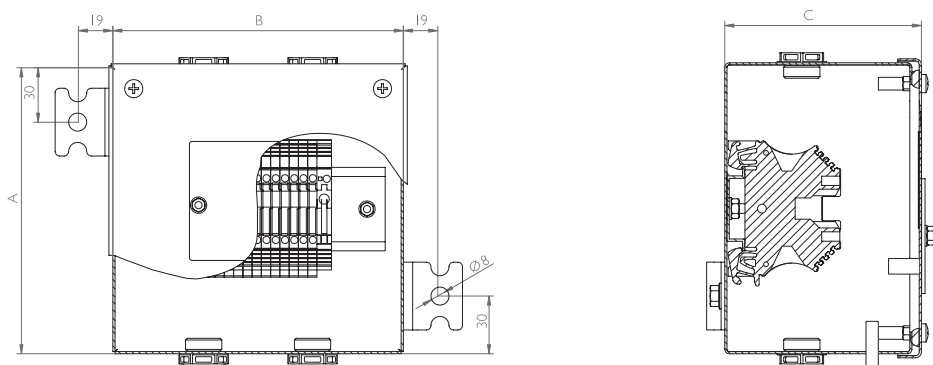
### FEATURES

- Atex boxes made of stainless steel AISI 304L.
- Incorporated in the inside 8 screw terminals and 4 stopping plugs M20.
- Access to the inside is facilitated thanks to the fastening of the cover with easy-to-install screws.
- External grounding of metric M6.
- Thickness 1.2mm (depending on boxes).

### NORMATIVES

- Zones 1, 2, 21 and 22.
- Certified CE, Atex and IECEx.
- Certified: LOM I4ATEX3028U | LOM I4ATEX2082 | LOM I4ATEX9050
- II 2G Ex eb IIC T6/T5 Gb
- II 2D Ex tb IIIC T85°C/100°C Db
- IP66 protection.
- Working temperature: -25° a +60°C.

### PLANS AND REFERENCES



REFERENCE	DIMENSIONS (mm)					HOLES	
	MEASURES (mm)			N° OF TERMINALS		STOPPING PLUGS	
	HEIGHT -A-	WIDHT -B-	DEPTH -C-	TERMINALS	GROUND TERMINALS	UNIT	METRIC
GEOTB121290EX002	125	125	90	8	1	4	M20

# DOWNLOAD OUR CATALOGUES

WE DELIVER THE CABINET FULLY COMPLETED AND CERTIFIED  
Also individual certifications



CABLE GLAND



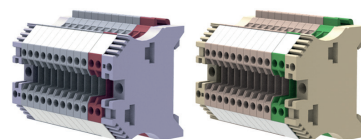
PLUGS, ADAPTERS, ...



ACTUATORS



TERMINALS



## SOLUTIONS FOR HAZARDOUS AREA



With over 50 years of experience in design, manufacture and supply of electrical high quality Atex & IECEX solutions

Atex Delvalle adapts to our clients' needs by offering Hazardous Area enclosures and boxes on demand. They are adapted to your specific requirements of installation and assembly, up to the last detail.

Atex Delvalle designs and manufactures a range of Hazardous Area enclosures; junction and terminal boxes, pressurized, flameproof Ex d and increased Safety Ex e Atex & IECEX compliant enclosures.



ATEX CABLE GLANDS



MOTOR STARTER & LOAD DISCONNECT SWITCHES



ATEX TERMINAL & JUNCTION BOXES



ATEX LIGHTING FIXTURE



## FLAMEPROOF ENCLOSURES & PULLING BOXES

## HMI INDUSTRIAL PANELS WORKSTATIONS



## CONTROL STATIONS & DISTRIBUTION BOXES

Atex control boxes (Contrex Series), they are specially designed to perform checks, maneuvers and as actuators in explosive atmospheres. They have a rugged, corrosion system and finished in stainless steel or GRP polyester. It allows you to perform maneuvers and controls at the machine in hazardous areas and take programming and automation in a safe area. Offering customers a great combination of possibilities and flexibility. Select the component that best suits your operator panels, keypads, mushrooms, switches, ammeters... and you assemble all with Atex certified, Ex & IECEx and UL.



## ENCLOSURES FOR CORROSION ENVIRONMENTS

## PRESSURIZED PANELS & ATEX PURGE





**HAZARDOUS AREA SOLUTIONS ATEX E IECEX**



Paso del Prao, 6. 01320 Oyón (Álava). Spain  
Phone +34 945 601 381  
atex@atexdelvalle.com | [www.atexdelvalle.com](http://www.atexdelvalle.com)

**Contact us, we will be available at any time**