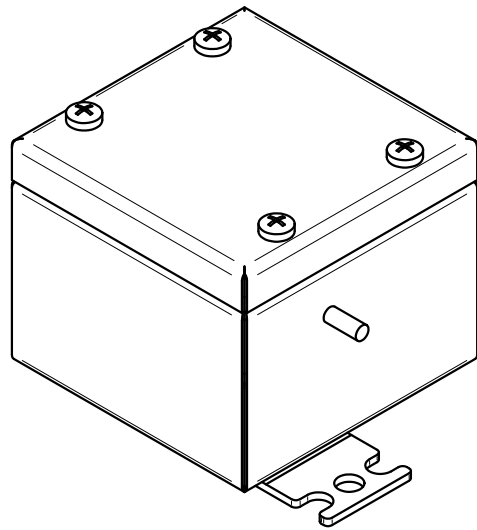
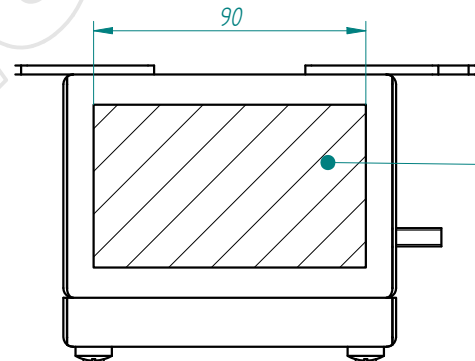
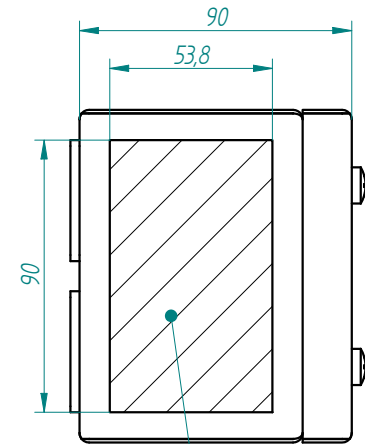
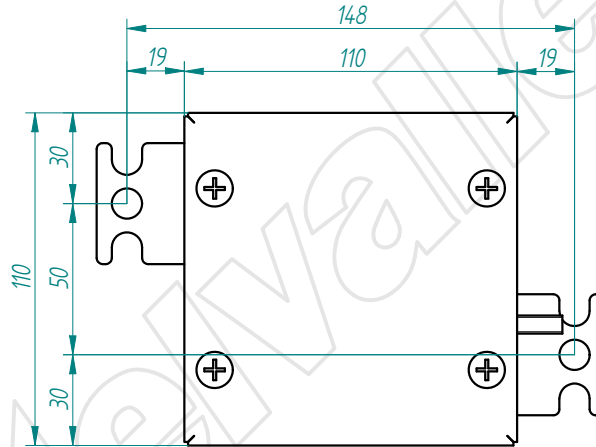
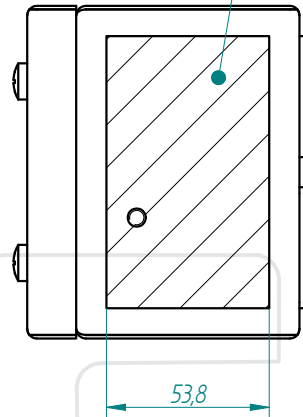
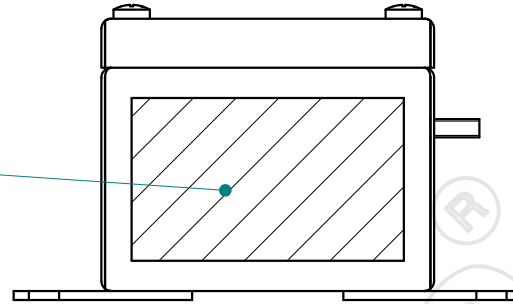


This present document and its contents are confidential, and are the exclusive intellectual and / or industrial property of DEVALLE. In addition to any technology, design, invention, work, process, know-how, calculation, manual, improvement, drawing, diagram, modification, contribution and, in short, any associated information or documentation involving industrial or intellectual property developed or supplied by DEVALLE on the occasion of the quote, order execution or incorporated into the design or operation of the supply, the recipient may not use such property in his favour or in that of a third party for purposes other than the fulfilment of the order and the operation and maintenance of the supply, without the prior written consent of DEVALLE. It is strictly forbidden to totally or partially reproduce this document and to misuse it and / or to show it to third parties. The infringing parties shall be required to pay the corresponding compensation for damages, and any other legal or criminal responsibility if the infringement may give rise to.



Mechanical area/
Zone d'usinage/
Zona de mecanizado



Mechanical area/
Zone d'usinage/
Zona de mecanizado

TOLERANCIA GENERAL
DE MECANIZACION
segun DIN 7168

Creación del documento	14/04/2015	D.MTNEZ	A
MODIFICACIONES	FECHA:	FIRMA:	REVISIÓN:

Referencia:

MVEB000000/67

-
plegado:
acabado:

DIBUJADO:	14/04/2015	FIRMA:
APROBADO:	14/04/2015	D.Martinez

DESIGNACIÓN:

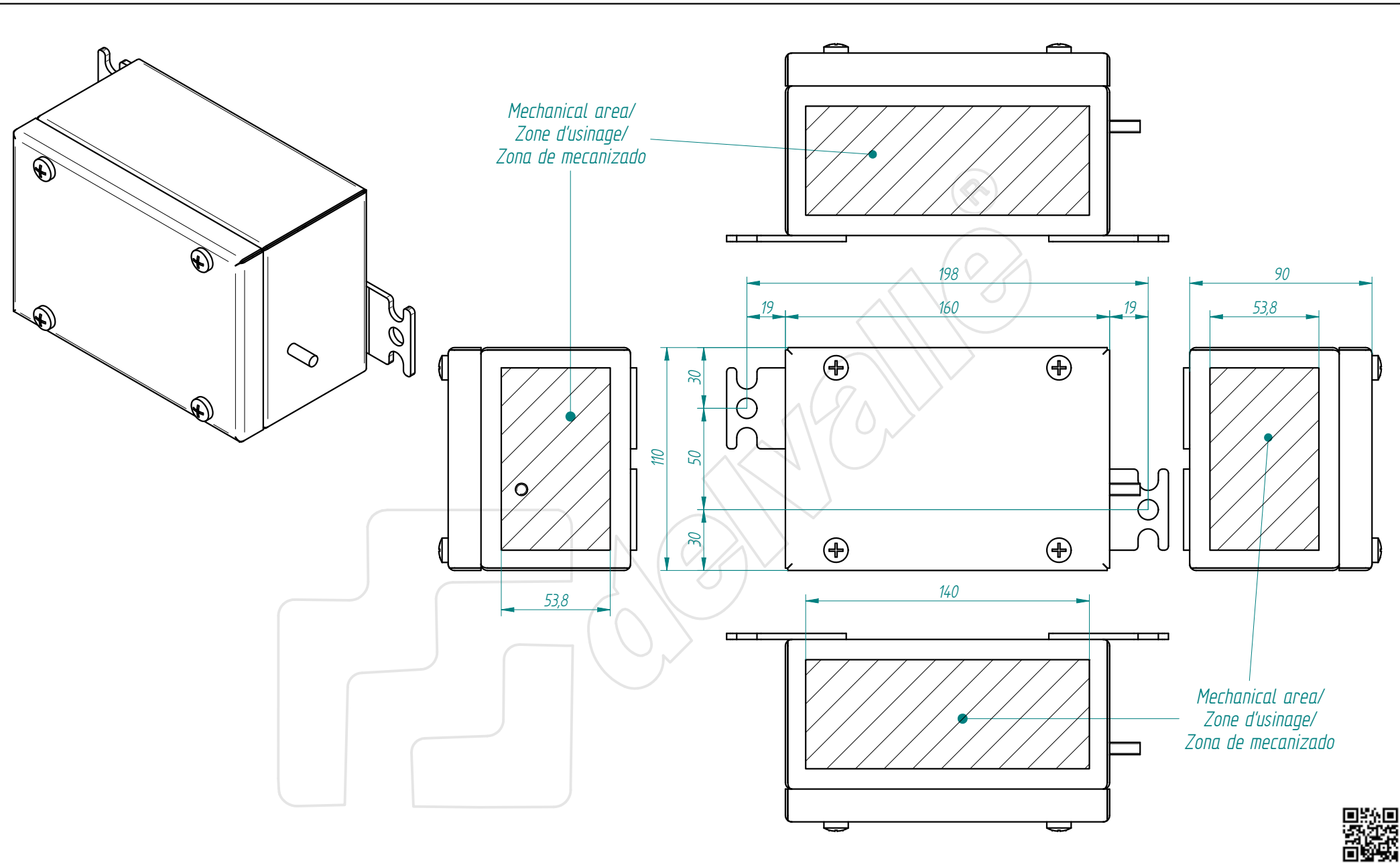
Terbox 10x10x90 estandar


Nº PLANO:

CB/67-00 a



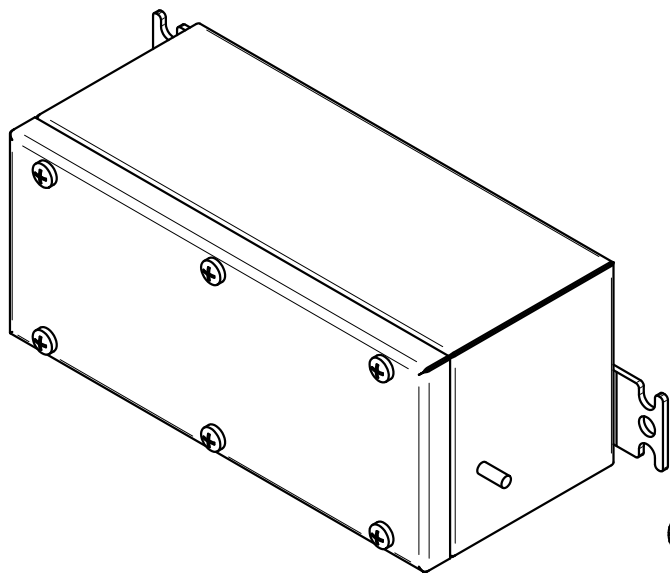
This present document and its contents are confidential, and are the exclusive intellectual and / or industrial property of DEVALLE. In addition to any technology, design, invention, work, process, know-how, calculation, manual, method, solution, idea, improvement, drawing, diagram, modification, contribution and, in short, any associated information or documentation involving industrial or intellectual property developed or supplied by DEVALLE on the occasion of the quote, order execution or incorporated into the design or operation of the supply. The recipient may not use such property in his favour or in that of a third party for purposes other than the fulfilment of the order and the operation and maintenance of the supply, without the prior written consent of DEVALLE. It is strictly forbidden to totally or partially reproduce this document and to misuse it or to show it to third parties. The infringing parties shall be required to pay the corresponding compensation for damages, and any other legal or criminal responsibility if the infringement may give rise to.



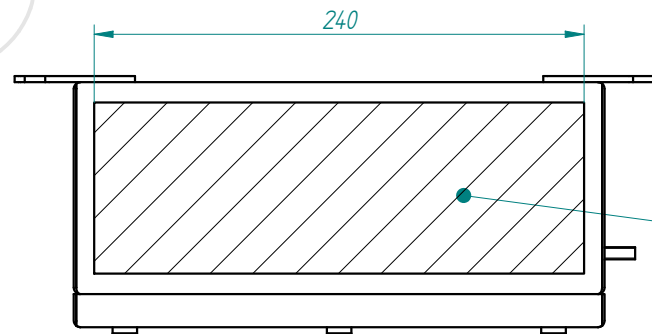
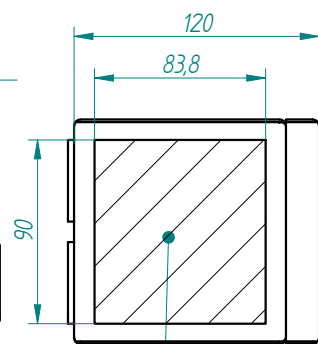
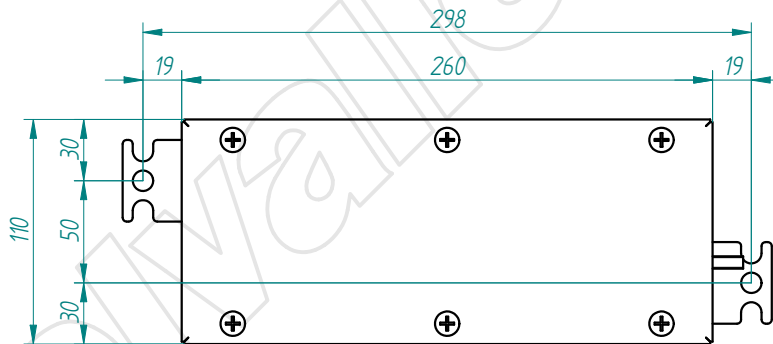
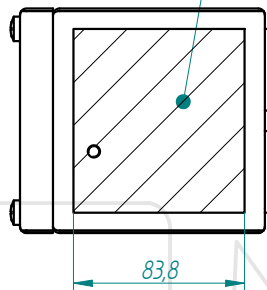
TOLERANCIA GENERAL DE MECANIZACION según DIN 7168	Creación del documento	14/04/2015	D.MTNEZ	A	Referencia: MVEB000000/67 - plegado: acabado:	DIBUJADO: 14/04/2015	FECHA: 14/04/2015	FIRMA: D.Martínez	 N° PLANO: CB/67-00 a
	MODIFICACIONES	FECHA:	FIRMA:	REVISIÓN:		DESIGNACIÓN: Terbox 110x160x90 estandar			



This present document and its contents are confidential, and are the exclusive intellectual and / or industrial property of DEVALLE ., in addition to any technology, design, invention, work, process, know-how, calculation, manual, method, solution, idea, improvement, drawing, diagram, modification and, in short, any associated information or documentation involving industrial or intellectual property developed or supplied by DEVALLE on the occasion of the quote, order execution or incorporated into the design or operation of the supply. The recipient may not use such property in his favour or in that of a third party for purposes other than the fulfilment of the order and the operation and maintenance of the supply, without the prior written consent of DEVALLE. It is strictly forbidden to totally or partially reproduce this document and to misuse it and / or to show it to third parties. The infringing parties shall be required to pay the corresponding compensation for damages, and any other legal or criminal, responsible and the infringement may give rise to.




Mechanical area/
Zone d'usinage/
Zona de mecanizado

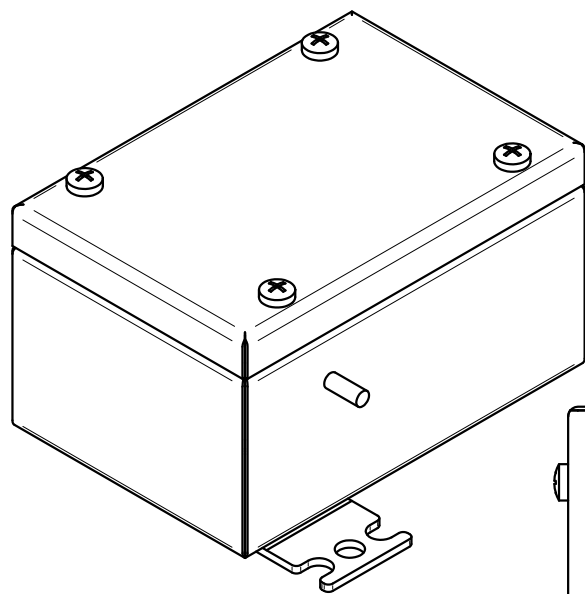


Mechanical area/
Zone d'usinage/
Zona de mecanizado

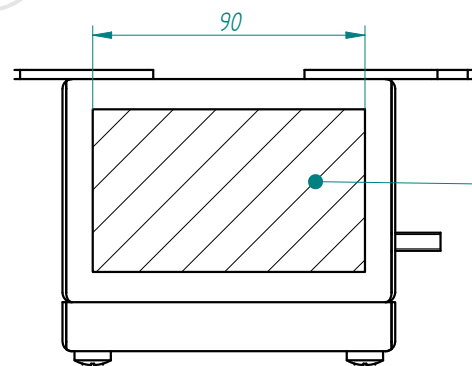
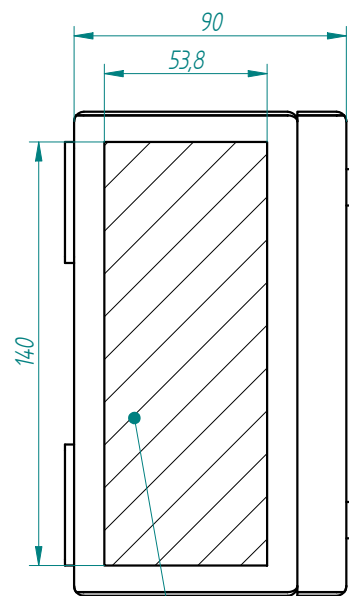
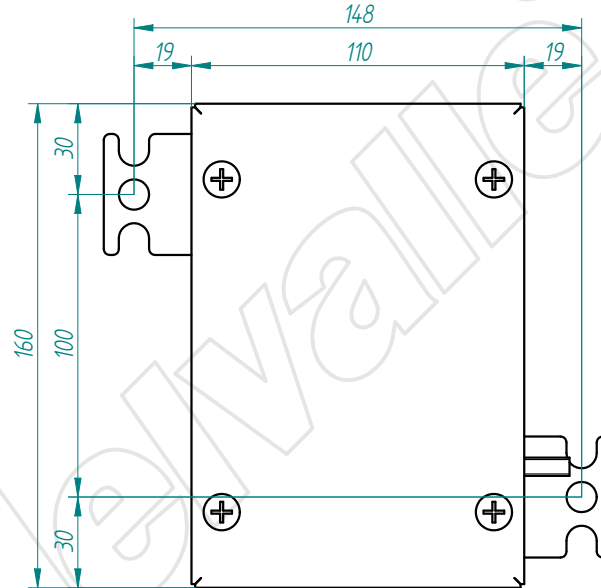
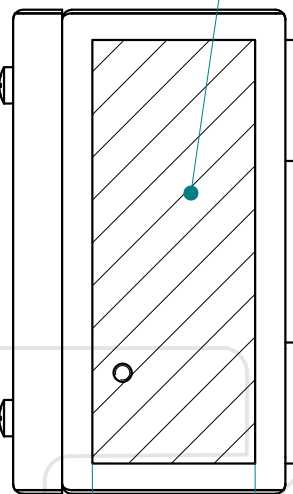
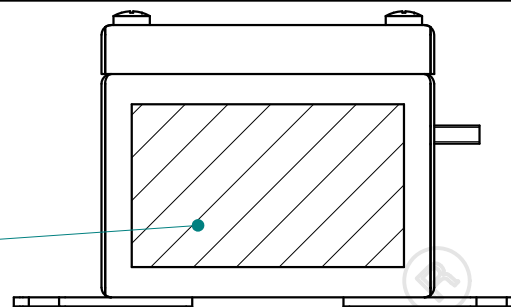


TOLERANCIA GENERAL DE MECANIZACION segun DIN 7168	Creación del documento	13/04/2015	D.MTNEZ	A	Referencia: MVEB000000/67	DIBUJADO: 13/04/2015	FECHA: 13/04/2015	FIRMA: D.Martinez	 N° PLANO: CB/67-00 a
	MODIFICACIONES	FECHA:	FIRMA:	REVISIÓN:	- plegado: acabado:	DESIGNACIÓN: Terbox 110x260x120 estandar			

This present document and its contents are confidential, and are the exclusive intellectual and / or industrial property of DEVALLE. In addition to any technology, design, invention, work, process, know-how, calculation, manual, method, solution, idea, improvement, drawing, diagram, modification, contribution and, in short, any associated information or documentation involving industrial or intellectual property developed or supplied by DEVALLE on the occasion of the quote, order execution or incorporated into the design or operation of the supply, the recipient may not use such property in his favour or in that of a third party for purposes other than the fulfilment of the order and the operation and maintenance of the supply, without the prior written consent of DEVALLE. It is strictly forbidden to totally or partially reproduce this document and to misuse it or to show it to third parties. The infringing parties shall be required to pay the corresponding compensation for damages, and any other legal or criminal responsibility if the infringement may give rise to.




Mechanical area/
Zone d'usinage/
Zona de mecanizado

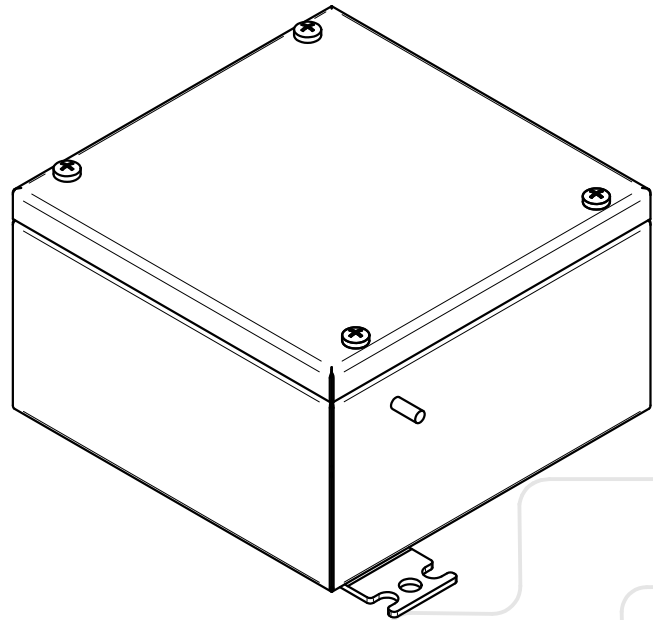


Mechanical area/
Zone d'usinage/
Zona de mecanizado

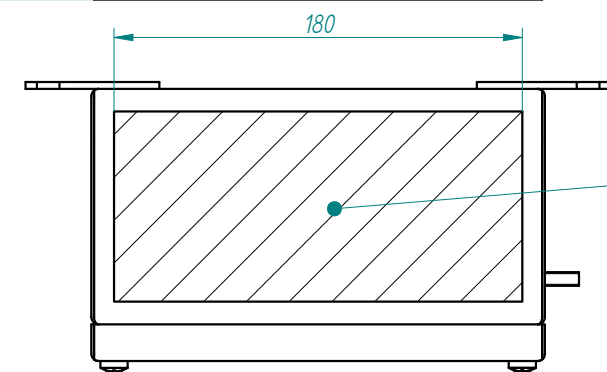
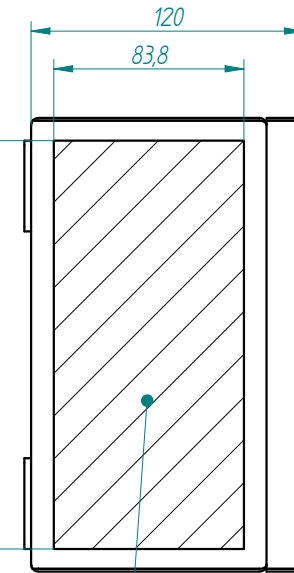
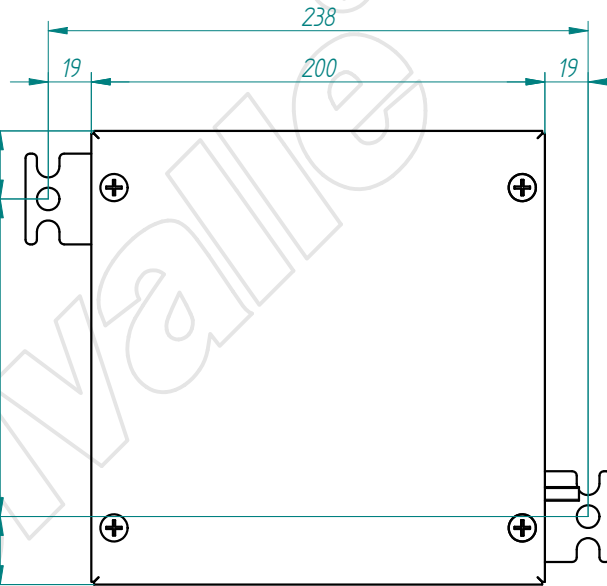
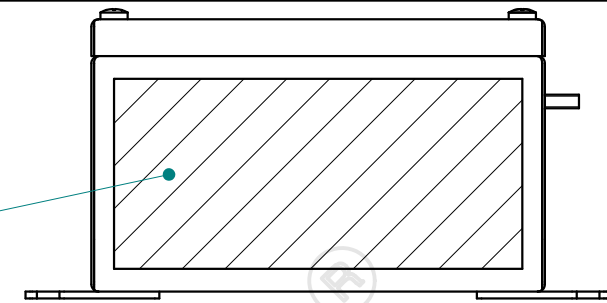
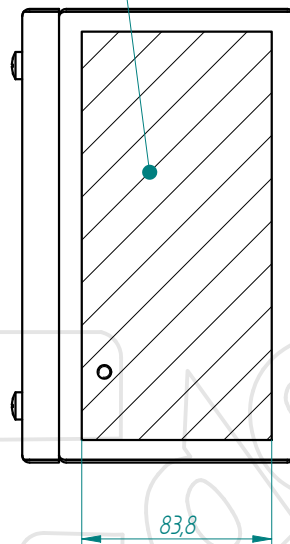


TOLERANCIA GENERAL DE MECANIZACION segun DIN 7168	Creación del documento	13/04/2015	D.MTNEZ	A	Referencia: MVEB000000/67	DIBUJADO: 13/04/2015	FECHA: 13/04/2015	FIRMA: D.Martinez	 N° PLANO: CB/67-00 a
	MODIFICACIONES	FECHA:	FIRMA:	REVISIÓN:	- plegado: acabado:	DESIGNACIÓN: Terbox 160x110x90 estandar	APROBADO: 13/04/2015	FIRMA: D.Martinez	

This present document and its contents are confidential, and are the exclusive intellectual and / or industrial property of DEVALLE. In addition to any technology, design, invention, work, process, know-how, calculation, manual, method, solution, idea, improvement, drawing, diagram, modification, contribution and, in short, any associated information or documentation involving industrial or intellectual property developed or supplied by DEVALLE on the occasion of the quote, order execution or incorporated into the design or operation of the supply. The recipient may not use such property in his favour or in that of a third party for purposes other than the fulfilment of the order and the operation and maintenance of the supply, without the prior written consent of DEVALLE. It is strictly forbidden to totally or partially reproduce this document and to misuse it and / or to show it to third parties. The infringing parties shall be required to pay the corresponding compensation for damages, and any other legal or criminal responsibility is the infringement may give rise to.




Mechanical area/
Zone d'usinage/
Zona de mecanizado

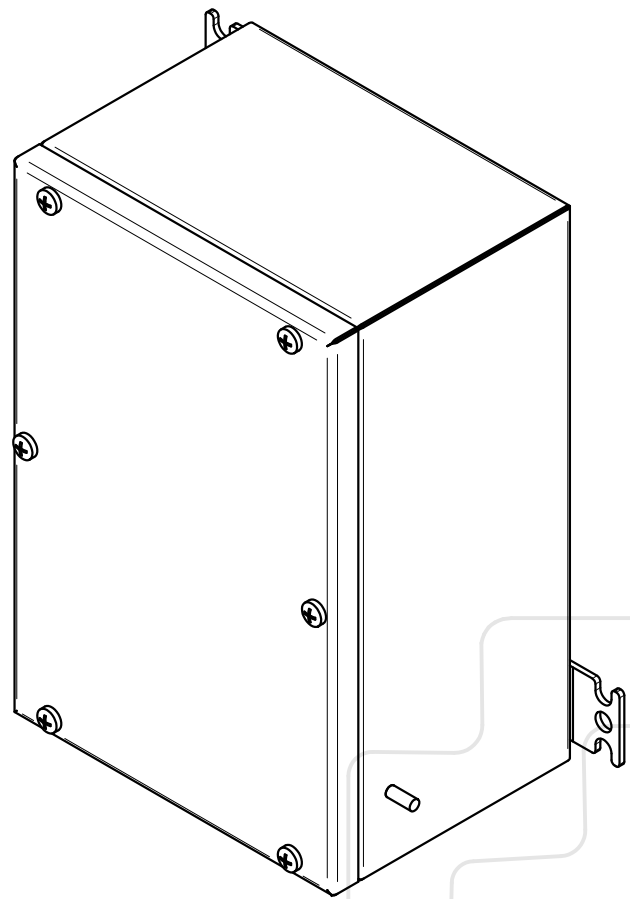


Mechanical area/
Zone d'usinage/
Zona de mecanizado

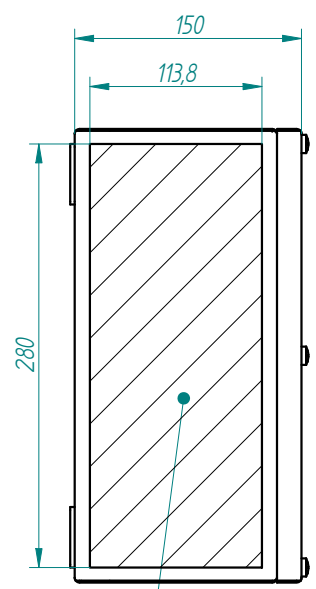
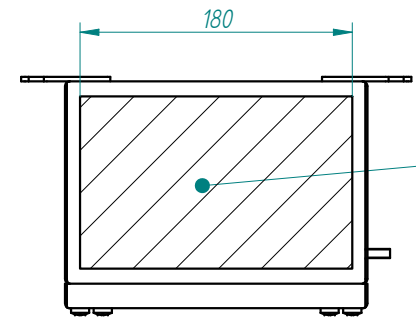
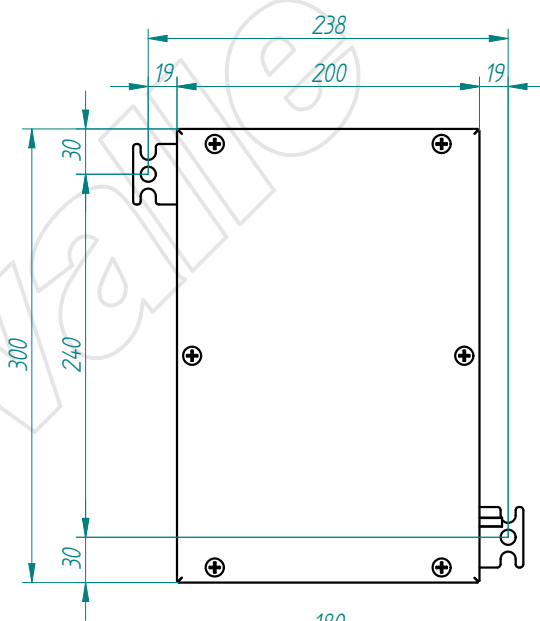
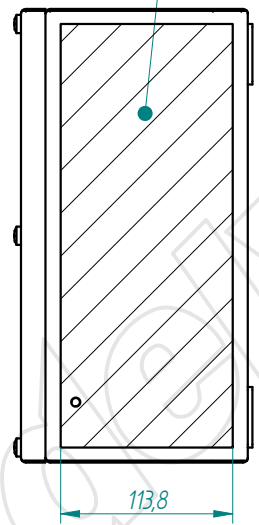


TOLERANCIA GENERAL DE MECANIZACION segun DIN 7168	Creación del documento	13/04/2015	D.MTNEZ	A	Referencia: MVEB000000/67	DIBUJADO: 13/04/2015	FECHA: 13/04/2015	FIRMA: D.Martinez	 N° PLANO: CB/67-00 a
	MODIFICACIONES	FECHA:	FIRMA:	REVISIÓN:	- plegado: acabado:	DESIGNACIÓN: Terbox 200x200x120 estandar	APROBADO: 13/04/2015	FIRMA: D.Martinez	

This present document and its contents are confidential, and are the exclusive intellectual and / or industrial property of DELVALLE. In addition to any technology, design, invention, work, process, know-how, calculation, manual, solution, idea, improvement, drawing, diagram, modification and, in short, any associated information or documentation involving industrial or intellectual property developed or supplied by DELVALLE on the occasion of the quote, order execution or incorporated into the design or operation of the supply. The recipient may not use such property in his favour or in that of a third party for purposes other than the fulfilment of the order and the operation and maintenance of the supply, without the prior written consent of DELVALLE. It is strictly forbidden to totally or partially reproduce this document and to misuse it and / or to show it to third parties. The infringing parties shall be required to pay the corresponding compensation for damages and any other legal or criminal responsibility. The infringement may give rise to.




Mechanical area/
Zone d'usinage/
Zona de mecanizado

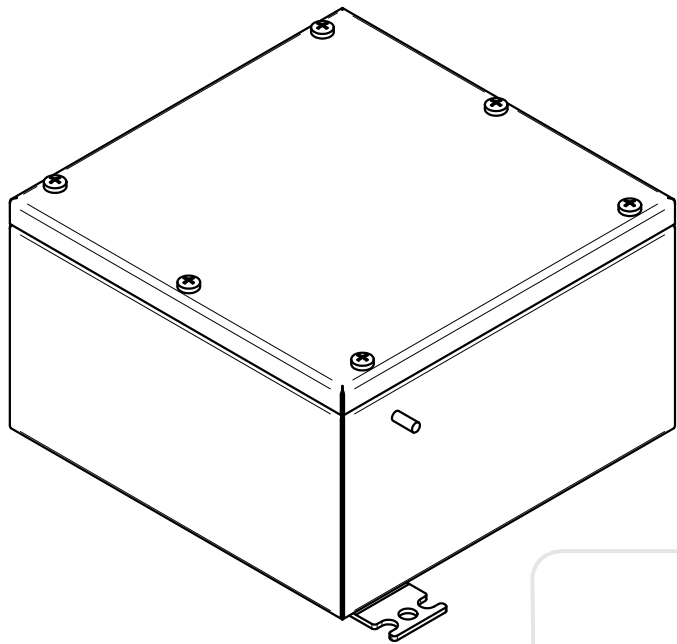


Mechanical area/
Zone d'usinage/
Zona de mecanizado

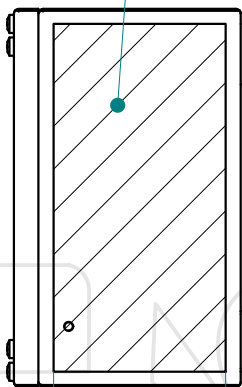


TOLERANCIA GENERAL DE MECANIZACION segun DIN 7168	Creación del documento	14/04/2015	D.MTNEZ	A	Referencia: MVEB000000/67	DIBUJADO: 14/04/2015	FECHA: 14/04/2015	FIRMA: D.Martinez	 N° PLANO: CB/67-00 a
	MODIFICACIONES	FECHA:	FIRMA:	REVISIÓN:	- plegado: acabado:	DESIGNACIÓN: Terbox 200x300x150 estandar	APROBADO: 14/04/2015	D.Martinez	

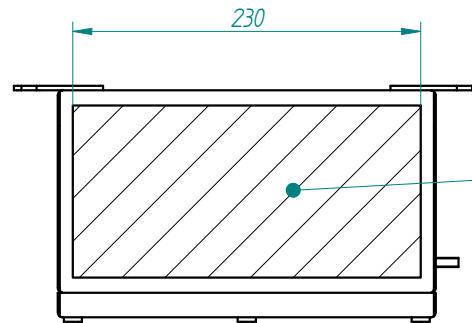
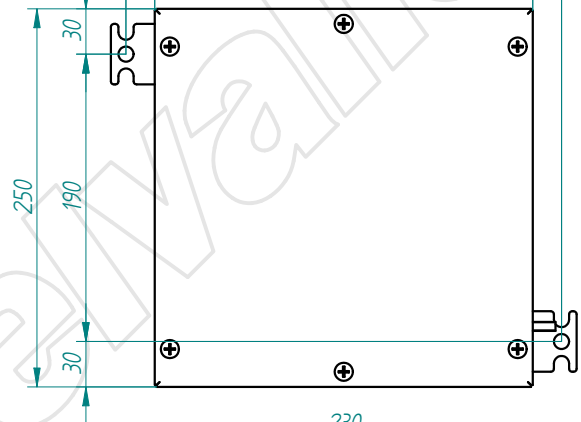
This present document and its contents are confidential, and are the exclusive intellectual and / or industrial property of DELVALLE. In addition to any technology, design, invention, work, process, know-how, calculation, manual, method, solution, idea, improvement, drawing, diagram, modification, contribution and, in short, any associated information or documentation involving industrial or intellectual property developed or supplied by DELVALLE on the occasion of the quote, order execution or incorporated into the design or operation of the supply. The recipient may not use such property in his favour or in that of a third party for purposes other than the fulfilment of the order and the operation and maintenance of the supply, without the prior written consent of DELVALLE. It is strictly forbidden to totally or partially reproduce this document and to misuse it and / or to show it to third parties. The infringing parties shall be required to pay the corresponding compensation for damages, and any other legal or criminal responsibilities, the infringement may give rise to.



Mechanical area/
Zone d'usinage/
Zona de mecanizado



113,8



230

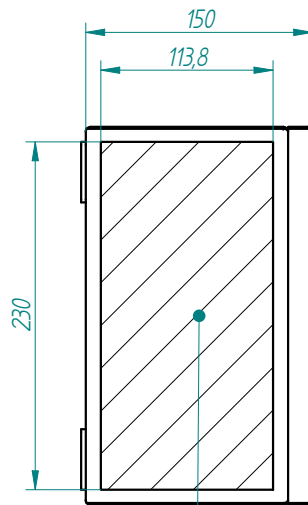


288

250

19

19




230

150

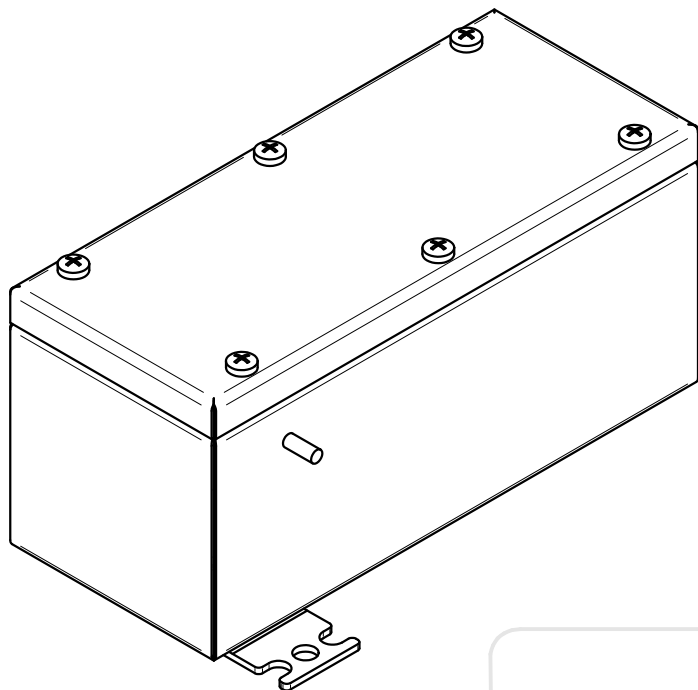
113,8

Mechanical area/
Zone d'usinage/
Zona de mecanizado

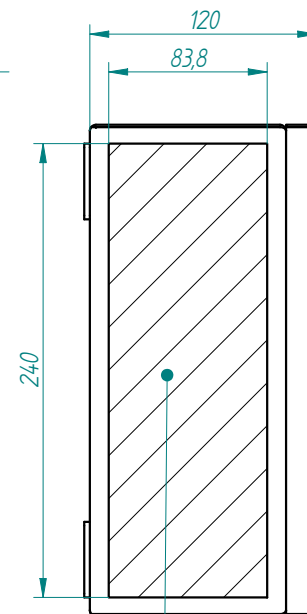
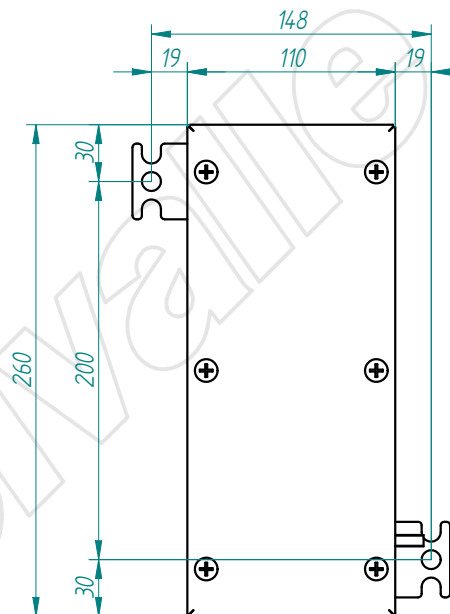
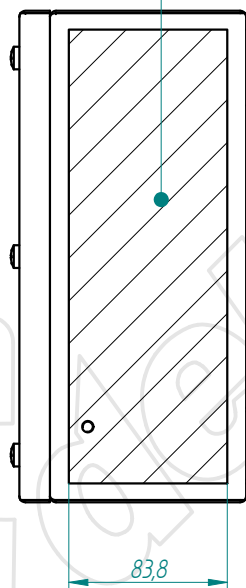
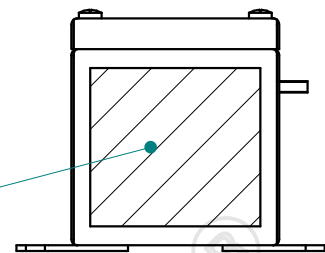


TOLERANCIA GENERAL DE MECANIZACION segun DIN 7168					Referencia: MVEB000000/67	DIBUJADO: 13/04/2015	FECHA: 13/04/2015	FIRMA: D.Martinez	 N° PLANO: CB/67-00 a
	Creación del documento	13/04/2015	D.MTNEZ	A	- plegado: acabado:	APROBADO: 13/04/2015		D.Martinez	
	MODIFICACIONES	FECHA:	FIRMA:	REVISIÓN:		DESIGNACIÓN: Terbox 250x250x150 estandar			

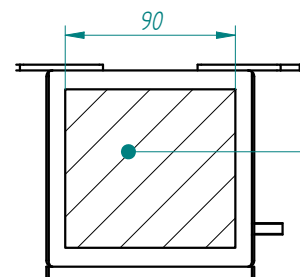
This present document and its contents are confidential, and are the exclusive intellectual and / or industrial property of DEVALLE. In addition to any technology, design, invention, work, process, know-how, calculation, manual, method, solution, idea, improvement, drawing, diagram, modification, contribution and, in short, any associated information or documentation involving industrial or intellectual property developed or supplied by DEVALLE on the occasion of the quote, order execution or incorporated into the design or operation of the supply. The recipient may not use such property in his favour or in that of a third party for purposes other than the fulfilment of the order and the operation and maintenance of the supply, without the prior written consent of DEVALLE. It is strictly forbidden to totally or partially reproduce this document and to misuse it and / or to show it to third parties. The infringing parties shall be required to pay the corresponding compensation for damages, and any other legal or criminal responsibility if the infringement may give rise to.




Mechanical area/
Zone d'usinage/
Zona de mecanizado

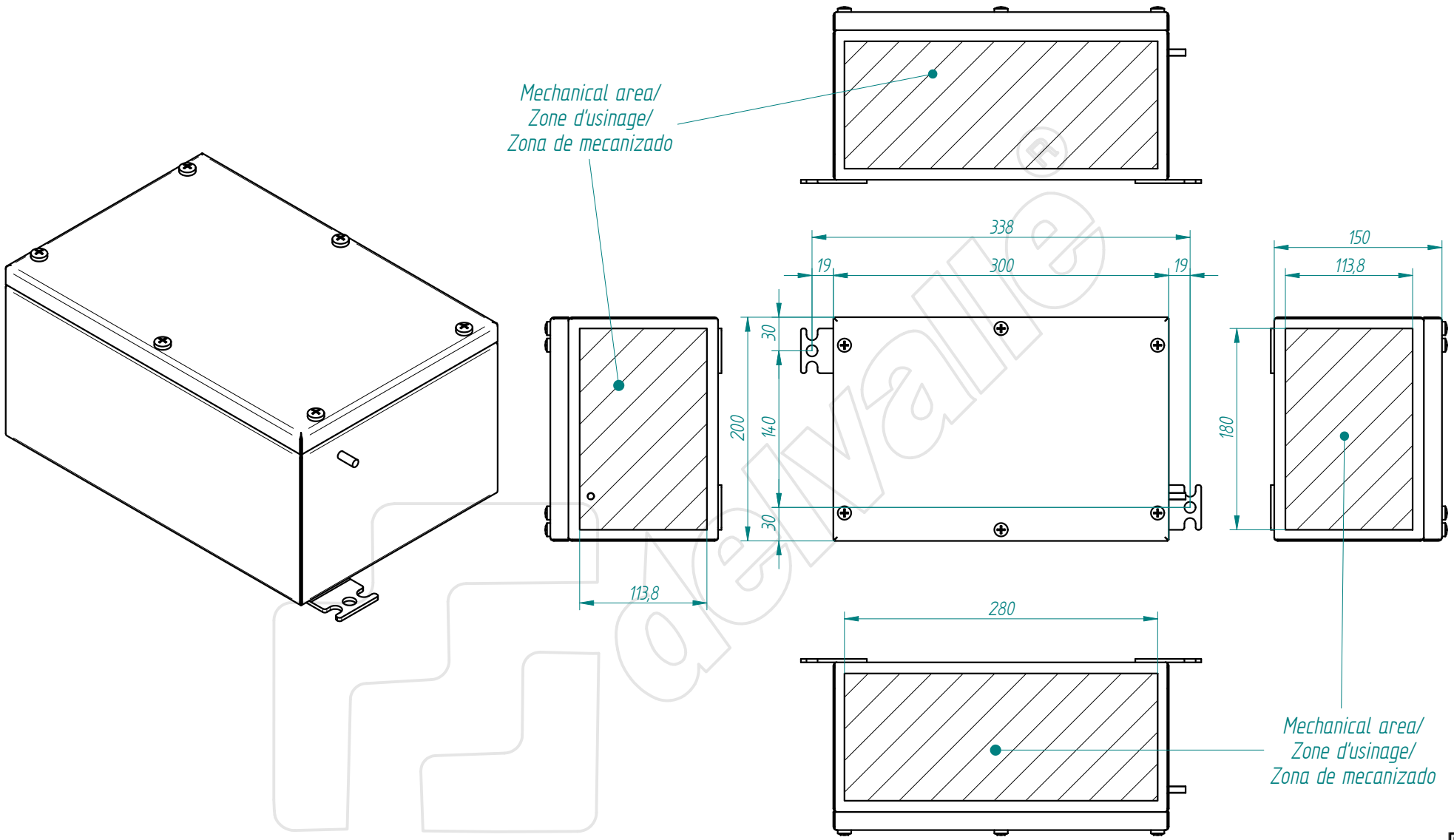


Mechanical area/
Zone d'usinage/
Zona de mecanizado



TOLERANCIA GENERAL DE MECANIZACION segun DIN 7168	Creación del documento	13/04/2015	D.MTNEZ	A	Referencia: MVEB000000/67	DIBUJADO: 13/04/2015	FECHA: 13/04/2015	FIRMA: D.Martinez	 N° PLANO: CB/67-00 a
	MODIFICACIONES	FECHA:	FIRMA:	REVISIÓN:	- plegado: acabado:	DESIGNACIÓN: Terbox 260x110x120 estandar			

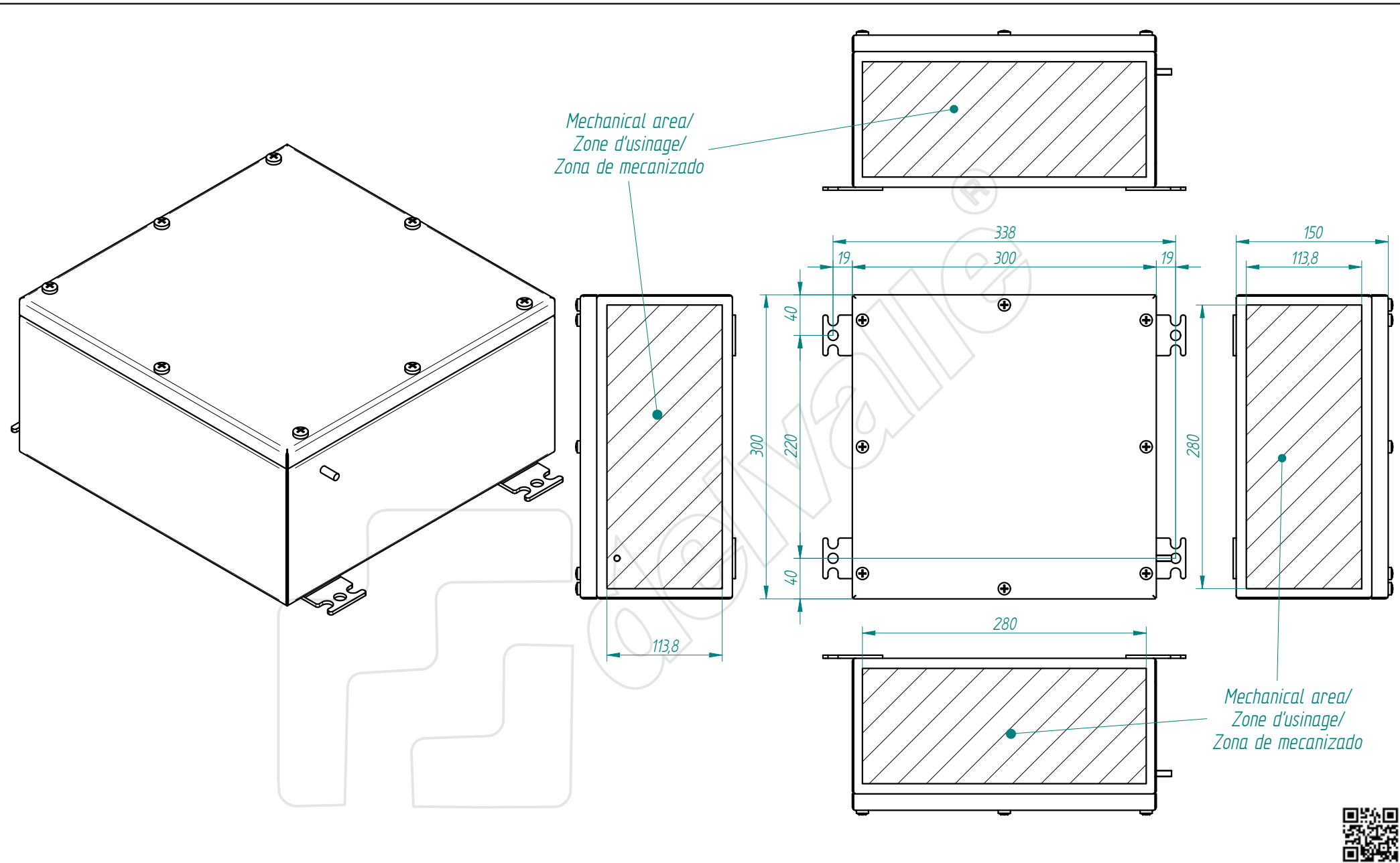
This present document and its contents are confidential, and are the exclusive intellectual and / or industrial property of DELVALLE. In addition to any technology, design, invention, work, process, know-how, calculation, manual, method, solution, idea, improvement, drawing, diagram, modification, contribution and, in short, any associated information or documentation involving industrial or intellectual property developed or supplied by DELVALLE on the occasion of the quote, order execution or incorporated into the design or operation of the supply. The recipient may not use such property in his favour or in that of a third party for purposes other than the fulfilment of the order and the operation and maintenance of the supply, without the prior written consent of DELVALLE. It is strictly forbidden to totally or partially reproduce this document and to misuse it or to show it to third parties. The infringing parties shall be required to pay the corresponding compensation for damages, and any other legal or criminal responsibility is the infringer's sole responsibility.




TOLERANCIA GENERAL DE MECANIZACION segun DIN 7168				Referencia:				
				MVEB000000/67	DIBUJADO:	13/04/2015	FIRMA:	D.Martinez
Creación del documento		13/04/2015	D.MTNEZ	A	DESIGNACIÓN:			Nº PLANO:
MODIFICACIONES		FECHA:	FIRMA:	REVISIÓN:	Terbox 300x200x150 estandar		CB/67-00 a	



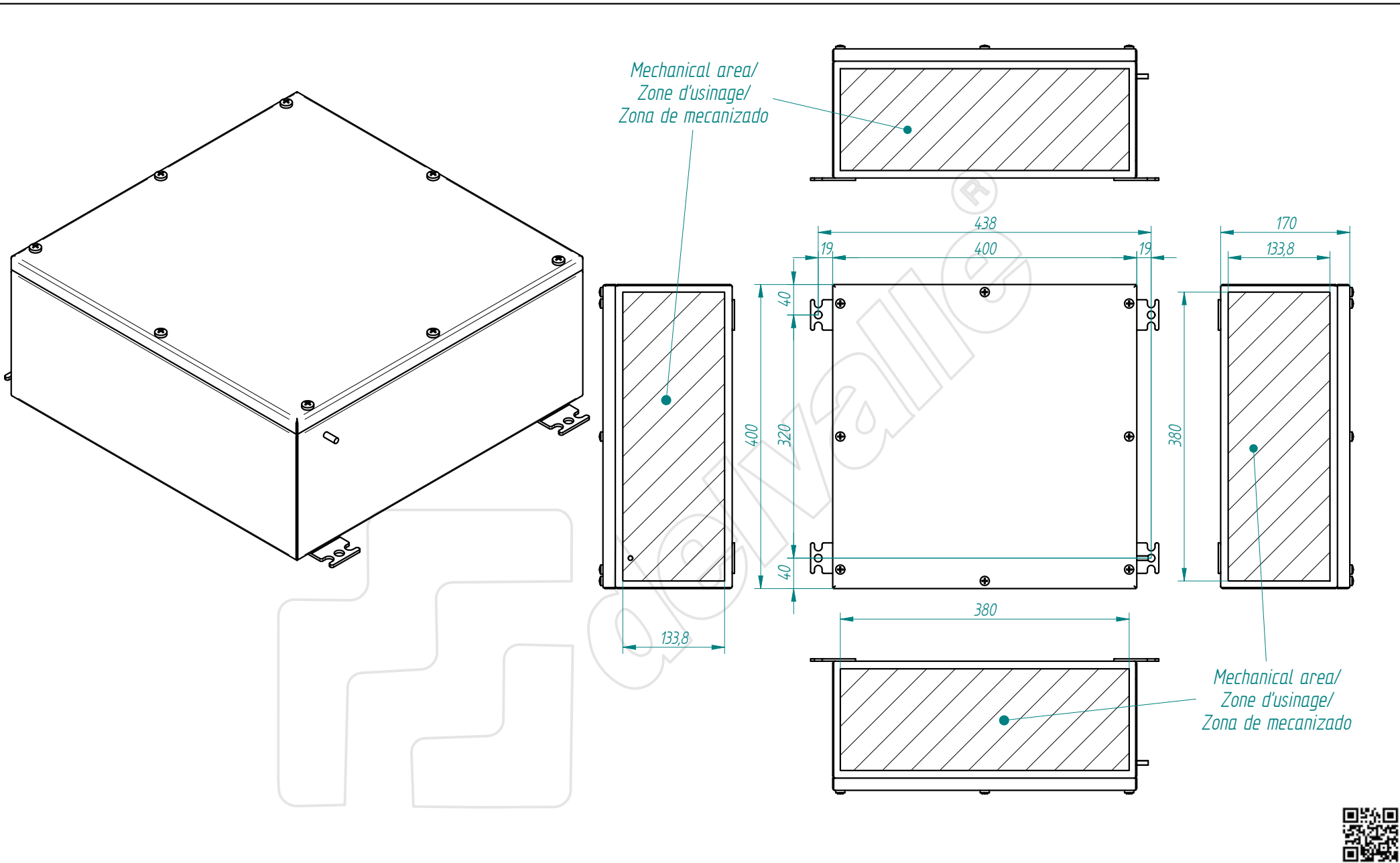
This present document and its contents are confidential, and are the exclusive intellectual and / or industrial property of DELVALLE. In addition to any technology, design, invention, work, process, know-how, calculation, manual, method, solution, idea, improvement, drawing, modification, contribution and, in short, any associated information or documentation involving industrial or intellectual property developed or supplied by DELVALLE on the occasion of the quote, order execution or incorporated into the design or operation of the supply. The recipient may not use such property in his favour or in that of a third party for purposes other than the fulfilment of the order and the operation and maintenance of the supply, without the prior written consent of DELVALLE. It is strictly forbidden to totally or partially reproduce this document and to misuse it and / or to show it to third parties. The infringing parties shall be required to pay the corresponding compensation for damages, and any other legal or criminal responsibilities, the infringement may give rise to.




TOLERANCIA GENERAL DE MECANIZACION según DIN 7168	Creación del documento	13/04/2015	D.MTNEZ	A	Referencia: MVEB000000/67	DIBUJADO: 13/04/2015	FECHA: 13/04/2015	FIRMA: D.Martínez	 N° PLANO: CB/67-00 a
	MODIFICACIONES	FECHA:	FIRMA:	REVISIÓN:	- plegado: acabado:	DESIGNACIÓN: Terbox 300x300x150 estandar			



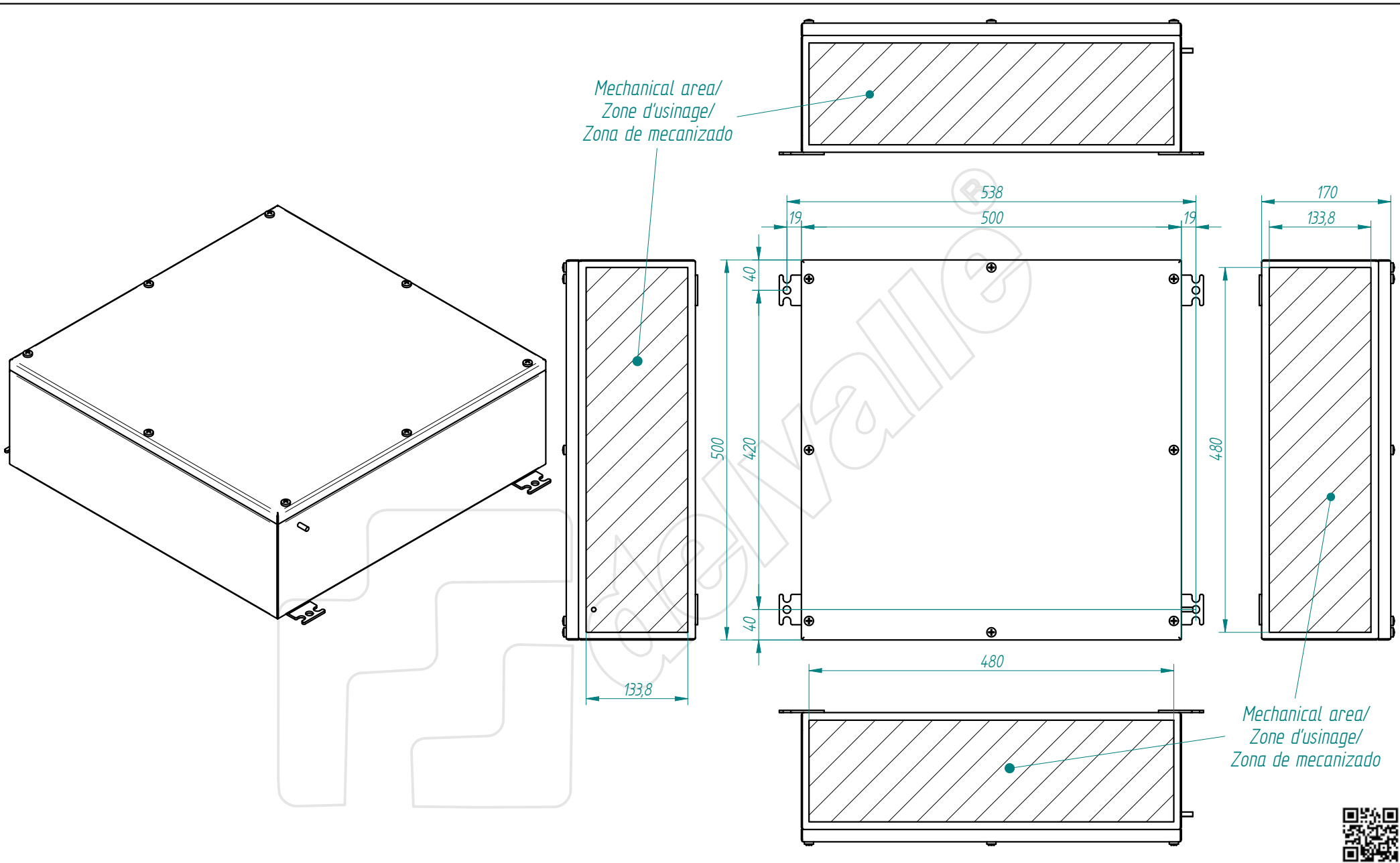
This present document and its contents are confidential, and are the exclusive intellectual and / or industrial property of DELVALLE. In addition to any technology, design, invention, work, process, know-how, calculation, manual, method, solution, idea, improvement, drawing, diagram, modification, contribution and, in short, any associated information or documentation involving industrial or intellectual property developed or supplied by DELVALLE on the occasion of the quote, order execution or incorporated into the design or operation of the supply. The recipient may not use such property in his favour or in that of a third party for purposes other than the fulfilment of the order and the operation and maintenance of the supply, without the prior written consent of DELVALLE. It is strictly forbidden to totally or partially reproduce this document and to misuse it and / or to show it to third parties. The infringing parties shall be required to pay the corresponding compensation for damages, and any other legal or criminal responsibility if the infringement may give rise to.




TOLERANCIA GENERAL DE MECANIZACION según DIN 7168	Creación del documento	13/04/2015	D.MTNEZ	A	Referencia: MVEB000000/67	DIBUJADO: 13/04/2015	FECHA: 13/04/2015	FIRMA: D.Martínez	 N° PLANO: CB/67-00 a
	MODIFICACIONES	FECHA:	FIRMA:	REVISIÓN:	- plegado: acabado:	DESIGNACIÓN: Terbox 400x400x170 estandar			



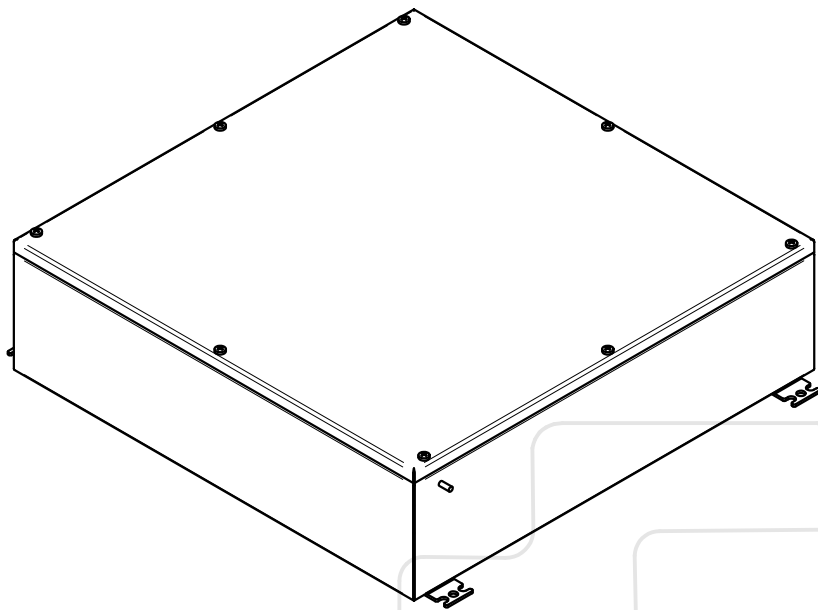
This present document and its contents are confidential, and are the exclusive intellectual and / or industrial property of DELVALLE. In addition to any technology, design, invention, work, process, know-how, calculation, manual, method, solution, idea, improvement, drawing, diagram, modification, contribution and, in short, any associated information or documentation involving industrial or intellectual property developed or supplied by DELVALLE on the occasion of the quote, order execution or incorporated into the design or operation of the supply. The recipient may not use such property in his favour or in that of a third party for purposes other than the fulfilment of the order and the operation and maintenance of the supply, without the prior written consent of DELVALLE. It is strictly forbidden to totally or partially reproduce this document and to misuse it and / or to show it to third parties. The infringing parties shall be required to pay the corresponding compensation for damages, and any other legal or criminal responsibilities, the infringement may give rise to.



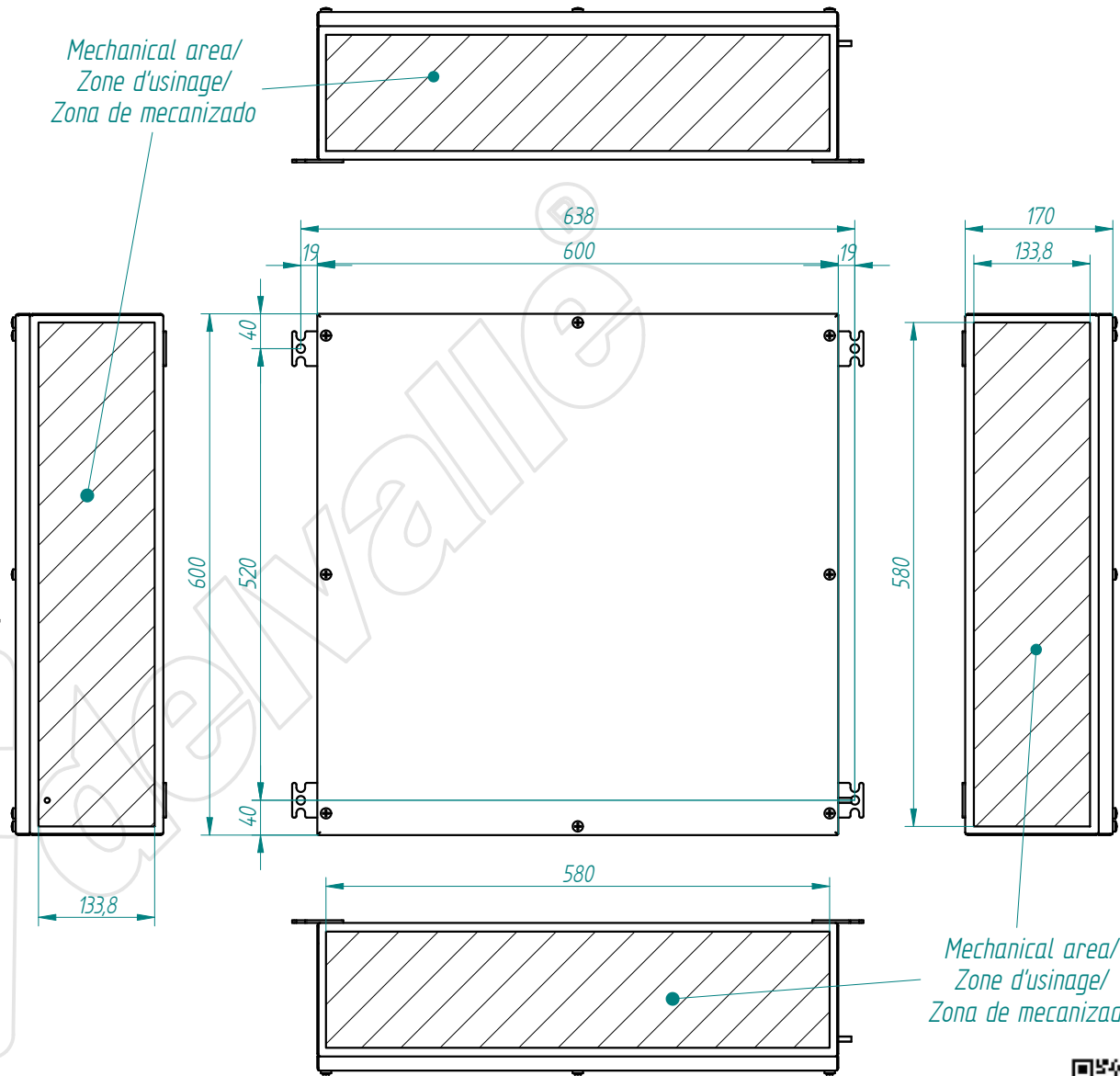
TOLERANCIA GENERAL DE MECANIZACION según DIN 7168	Creación del documento	13/04/2015	D.MTNEZ	A	Referencia: MVEB000000/67	DIBUJADO: 13/04/2015	FECHA: 13/04/2015	FIRMA: D.Martinez	 N° PLANO: CB/67-00 a
	MODIFICACIONES	FECHA:	FIRMA:	REVISIÓN:	- plegado: acabado:	APROBADO: 13/04/2015	FECHA: 13/04/2015	FIRMA: D.Martinez	
DESIGNACIÓN: Terbox 500x500x170 estandar									



This present document and its contents are confidential, and are the exclusive intellectual and / or industrial property of DEVALLE. In addition to any technology, design, invention, work, process, know-how, calculation, manual, method, solution, idea, improvement, drawing, diagram, modification, contribution and, in short, any associated information or documentation involving industrial or intellectual property developed or supplied by DEVALLE on the occasion of the quote, order execution or incorporated into the design or operation of the supply. The recipient may not use such property in his favour or in that of a third party for purposes other than the fulfilment of the order and the operation and maintenance of the supply, without the prior written consent of DEVALLE. It is strictly forbidden to totally or partially reproduce this document and to misuse it and / or to show it to third parties. The infringing parties shall be required to pay the corresponding compensation for damages, and any other legal or criminal responsibility is the infringement may give rise to.




Mechanical area/
Zone d'usinage/
Zona de mecanizado



Mechanical area/
Zone d'usinage/
Zona de mecanizado



TOLERANCIA GENERAL DE MECANIZACION segun DIN 7168	Creación del documento	13/04/2015	D.MTNEZ	A	Referencia: MVEB000000/67	DIBUJADO: 13/04/2015	FECHA: 13/04/2015	FIRMA: D.Martinez	 N° PLANO: CB/67-00 a
	MODIFICACIONES	FECHA:	FIRMA:	REVISIÓN:	- plegado: acabado:	APROBADO: 13/04/2015	DESIGNACIÓN: Terbox 600x600x170 estandar		