



1 **EU-Type Examination Certificate**

2 Component Intended for use in Potentially Explosive Atmospheres – Directive 2014/34/EU

3 EU-Type Examination Certificate number **LOM 14ATEX3026U** **Issue: 5**

4 Component Empty boxes  
Series LUXOREX, types LX \_\_\_\_EX\_

5 Manufacturer Delvalle Global Solutions, S.L.U.

6 Address Paso El Prao, 6  
01320 – Oyón - Alava  
SPAIN

7 Este componente y sus variantes eventualmente aceptadas está descrito en el anexo del presente certificado y en los documentos descriptivos citados en dicho anexo

8 The Laboratorio Oficial J.M. Madariaga (LOM), Notified Body No. 0163, in accordance with Article 17 of the Directive 2014/34/EU of the European Parliament and of the Council, dated 26 February 2014, certifies that this component has been found to comply with the Essential Health and Safety Requirements relating to the design and construction of products intended for use in potentially explosive atmospheres, given in Annex II to the Directive.  
The examination and test results are recorded in the confidential Report: **LOM 21.626E**

9 Compliance with the Essential Health and Safety Requirements has been assured by compliance with:

- Standards **EN IEC 60079-0:2018** **EN IEC 60079-7:2015+A1:2018** **EN 60079-31:2014**

Where additional criteria beyond those given here have been used, they are listed at item 18 in the Schedule.

10 The sign "U" placed behind the certificate number indicates that this certificate should not be confounded with certificates issued for equipment or protective systems. This partial certification may be used as a basis for certification of an equipment or protective systems.

11 This EU-Type Examination Certificate relates only to the design and construction of the specified component in accordance to the Directive 2014/34/EU. Further requirements of the Directive apply to the manufacturing process and supply of this component. These are not covered by this certificate.

12 The marking of the component shall include the following:



II 2G Ex eb IIC Gb  
II 2D Ex tb IIIC Db

Getafe,  
*Signed electronically by:*

Certification committee

RCPCR 25.21/4

(This document may only be reproduced in its entirety and without any change)





# LABORATORIO OFICIAL J. M. MADARIAGA

## 13 SCHEDULE

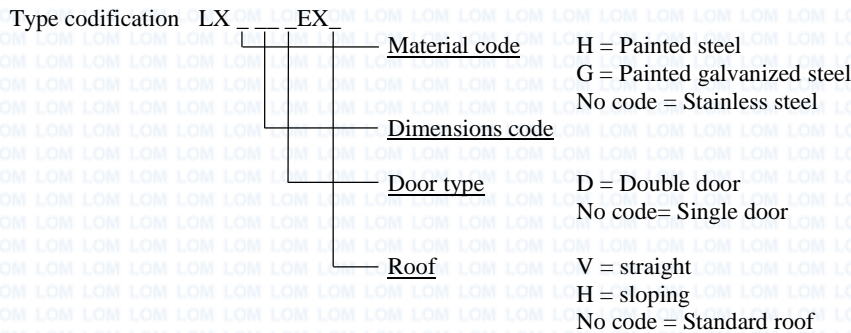
14 EU-Type Examination Certificate number: **LOM 14ATEX3026U**

**Issue: 5**

### 15 Description of component

Series of empty boxes of prismatic shape made of either stainless steel, painted steel or painted galvanized steel. The boxes have front access door and alternatively an additional rear door.

The fasteners of the boxes are made by tongue devices of 1/4 turn. The hinges also make closing function.



#### Single door boxes

Type	Dimensions (mm)			Number of fasteners	Number of hinges
	Height	Width	Depth		
LX302015EX_	300	200	150	2	2
LX403020EX_	400	300	150	2	2
LX504020EX_	500	400	200	5	3
LX605025EX_	600	500	250	5	3
LX606030EX_	600	600	300	5	3
LX705030EX_	700	500	300	5	3
LX8060(*)EX_	800	600	300 to 800	6	4
LX8080(*)EX_	800	800	300 to 800	8	4
LX1060(*)EX_	1000	600	300 to 800	6	4
LX1080(*)EX_	1000	800	300 to 800	8	4
LX1010(*)EX_	1000	1000	300 to 1000	8	4

#### Double door boxes

Type	Dimensions (mm)			Number of fasteners	Number of hinges
	Height	Width	Depth		
LX508020DEX_	500	800	200	10	6
LX601025DEX_	600	1000	250	10	6
LX601230DEX_	600	1200	300	10	6
LX705030DEX_	700	1000	300	10	6
LX701230DEX_	800	1200	300 to 800	12	8
LX8012(*)DEX_	800	1600	300 to 800	16	8
LX1060(*)DEX_	1000	1200	300 to 800	12	8
LX1080(*)DEX_	1000	1600	300 to 800	16	8
LX1010(*)DEX_	1000	2000	300 to 1000	16	8

(\*) = 30, 40, 50, 60, 70, 80, 90, 10 indicates depth of 300, 400, 500, 600, 700, 800, 900 or 1000 mm

The boxes can be produced in intermediate sizes to those shown in the above table. The number of fasteners will be the same the next size up.

The boxes can include optional gland plates. These plates serve as means for machining holes for cable entries rather than holes made directly in the wall of the boxes. The plates are attached to the boxes with the appropriate mechanization, by screws and sealing gaskets.



# LABORATORIO OFICIAL J. M. MADARIAGA

## 13 SCHEDULE

14 EU-Type Examination Certificate number: **LOM 14ATEX3026U**

**Issue: 5**

## 15 Description of component (continued)

Gland plate Reference	Dimensions (mm)
TP909015EX	100x00
TP909030EX	100x00
TP149015EX	150x100
TP149030EX	150x100
TP259015EX	260x100
TP259030EX	260x100

Gland plate Reference	Dimensions (mm)
TP351315EX	360x140
TP351330EX	360x140
TP503030EX	510x310
TP504030EX	510x410
TP606030EX	610x610

<u>Service temperature:</u>	<u>Gasket type</u>
-25°C to 60°C	Polyurethane
-45°C to 135°C	Spongy silicone
-45°C to 150°C	Injected silicone

Degree of protection IP66

### Changes in this issue

Update to the standards EN IEC 60079-0:2018 and EN IEC 60079-7:2015+A1:2018

## 16 Report: **LOM 21.626E**

## 17 Schedule of Limitations

Painted boxes intended for group III must be installed in locations where there are no strong turbulences with flammable dust in suspension.

## 18 Essential health and safety requirements

Met by compliance with the requirements mentioned in item 9.

According to Article 41 of Directive 2014/34/EU, EC-type examination certificates which have been issued according to Directive 94/9/EC prior to the date of coming into force of Directive 2014/34/EU (April 20, 2016) may be considered as if they were issued already in compliance with Directive 2014/34/EU. By permission of the European Commission supplements to such EC-type examination certificates and new issues of such certificates may continue to hold the original certificate number issued before April 20, 2016.

## 19 Drawings and Documents

Number	Sheets	Issue	Date	Description
Luxorex v2	23	2	2022-07-06	*Technical dossier
IT.LX.IECEX	19	6	2022-09-06	*User manual

Note: An \* is included before the title of documents that are new or revised.

## 20 Historic of variations

Issue	Date	Report number	Description
0	2014-04-25	LOM 13.591 TP	First certificate
1	2015-01-20	LOM 14.199 DP	To include optional gland plates
2	2015-01-20	LOM 14.312 MP	To include variants with dual front door
3	2016-07-29	LOM 16.005 PP	Changing the name of the company Update to the standards EN60079-0:2012, EN 60079-7:2007, and EN 60079-31:2014.
4	2019-02-12	18.251Z	To include two new types of silicone gaskets Update to the standard EN 60079-7:2015. Update of the marking label and documentation.