



atex@atexdelvalle.com | www.atexdelvalle.com



PCEX Serie

Ex Atex



Delvalle, wide experience in manufacturing solutions for hazardous area



WE PUT AT YOUR DISPOSAL

We offer **OVER 40 years** providing **solutions** to demanding customers who require very specific characteristics and behaviour according to the sector and their needs.

WHEREVER YOU GO

We are committed to working closely with our customers, providing them with exceptional service and offering an advanced and extensive range of products with very competitive prices.

CUSTOMIZE TOTALLY YOUR ENCLOSURE

Our production systems can give custom-made solutions on demand. Every colour from RAL chart is available to be personalized. A variety of protection standards thanks to our own painting facilities.

HIGH STANDARD OF QUALITY AND SERVICES

We only use materials provided by companies who offer the very highest quality, suitable and certified products. Our success is due to **top quality** assurance: ISO 9001, SGS, UL, TÜV, ISO 14000 and Ohsas 18001. ATEX, IECEx a nivel mundial.



CONTACT US

Confidentiality, reliability & quality

atex@atexdelvalle.com
+34 945 601 381

ALSO ONLINE



A team of professionals with high experience and ability to solve all your queries.



PCEX Serie workstation

Remote control units

Higher security with
cost savings

Zones 1, 2, 21 and 22



The floor processing conditions can be very adverse.

Industrial monitors can be exposed to high humidity, extreme temperature changes as well as coming into contact with chemical products solvents, and pressurised cleaning systems.

For our workstation all these are easily overcome by installing in the operating area only the most essential components and using data cables establish connections with the secure area equipment.

Greater security

This separation reduces to a minimum contact between the component and the problematic conditions this reducing any chances of error.

Designed especially
for high risk areas.

Important advantages

Long lasting solution thus cort saving over time connecting the conventional equipment (RJ45) in a secure area to the remote control equipment in the Atex area using the Ethernet standard network server connection without expensive convertibles.

Less TI infrastructure

Linked to various servers from one sole workstation.

Compatible with RDP applications

Servicing to Microsoft, Citrix, ICA o VNC RFB.

Compressed video transmission

Only transferring changes in graphs.

No need to install software

System can be modernised, the equipment replaced without infrastructure changes

Low energy consumption

Allows the unit to save energy and not heat up at rest.



1 Floor Mounting



2 Ceiling Mounting

Choose **mounting option** and personalise your **workstation PC EX** with different accessories

Zones 1, 2, 21 and 22

3 Table Mounting

4 Wall Mounting



PCEX Series

Workstation

Zones 1, 2, 21 and 22

Technical features

- Intel® Atom processor
- Compact flash: 512MB memory
- 24V DC Voltaje
- Consumption max. 75 W

Materials

- AISI304 L and AISI316 L
- Protection IP66 and 4X Type

Norms and certificates

- **Zones 2 and 22:**
Certification Ex: II 3G Ex nA IICT4 Gc,
II 3G Ex nA IICT4 Gc
- Norm UL:
Clase I/ Division 2, A – D,
Clase II Divison 2, F&G, T4.
- Norm IECEx:
II 3G Ex nA IICT4 Gc
II 3G nA IICT4 Gc
- Norm 94/9/CE : EN 60079-15:2010,
EN 60079-0:2009, IECEx 60079-14,
IECEx 60079-0.
- **Zones 1 and 21:**
Certification Ex: IECEx and
ATEX (II 2G, II 2D)
- Ex e mb q [ib] IICT4 Gb.
- Ex tb [ib] IIIC85°C Db.
- Area 1, 2, 21 and 22.

Remote control features

Following our tradition in high resistant industrial monitors all models are manufactured only with industrial quality components.

The workstation has worldwide recognised certificates for area **1, 2, 21** and **22** and **areas of type I and II**, as well as division 2. Optional touch screen using anti reflective hardened transfective glass.

All the industrial monitors are manufactured under the strictest mechanical and security requirements used in chemical, pharmaceutical and petrochemical industries.

PCEX - Workstation SERIES	
REFERENCES	DESCRIPTION
WS100IT	KEYBOARD & MOUSE Ex1 for WS600
WS200IT	KEYBOARD & MOUSE Ex2 for WS
WS100IT	SCREEN Ex1, 21 IECEx 19"
WS200IT	SCREEN Ex2, 22 IECEx 19"
WSF00IE	ENCLOSURE FLOOR MOUNTING WORKSTATION
WSF00IE	ENCLOSURE CEILING MOUNTING WORKSTATION
WSW00IE	ENCLOSURE WALL MOUNTING WORKSTATION
WST00IE	ENCLOSURE TABLE MOUNTING WORKSTATION



GUARANTEE
ANTI CORROSION



GUARANTEE
MECHANICAL PARTS

WE ALSO CUSTOM
MANUFACTURE

Accessories workstation

Screens 15", 19" and 22"

- Antireflective glass
- Type: TFT, LCD
- Resolution: 1280x1024 pixels
- Colours: 24 bits, 16,7 million
- Contrast: 1000:1
- brightness: 400 nit
- Visual angle: 160° in all directions
- Optional touch screen

Interfaces

AREA 2 and 22:

- 2 x 1GB Ethernet and 2 x USB
- Audio
- RS232
- Power

AREA 1 and 21:

- Keyboard and mouse (Ex i)
- 1 x Ethernet (Ex e) and 1 x USB (Ex e)

Accessories

personalise your **workstation PCEX** with different accessories

Zones 1, 2, 21 and 22



Keyboard

- Joystick mouse
- Ball mouse
- Touchpad
- Language
(US international, German, French)



Barcode reader

Interface:

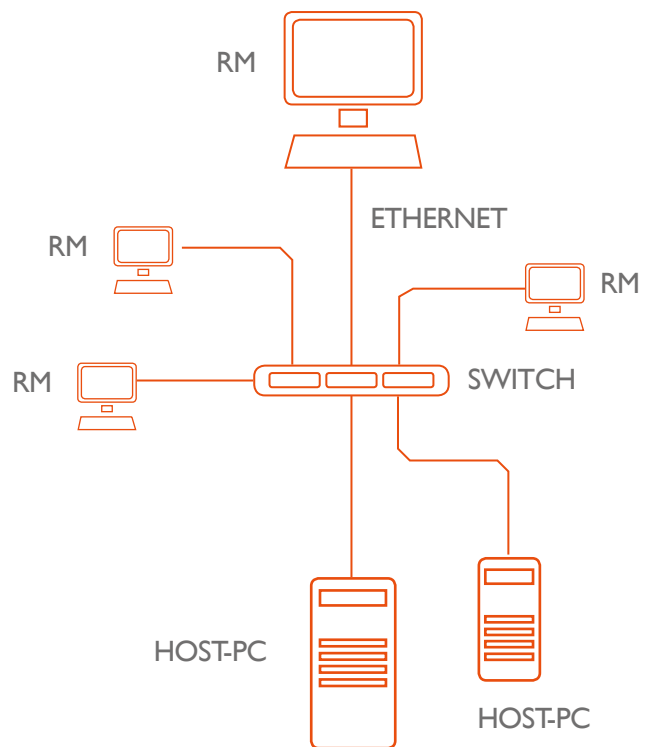
- 1 x Ethernet, 1 x USB (Ex e),
2 x USB (IS)
- 1 x Ethernet, 1 x USB (Ex e),
3 USB (IS), 1 RS232 (Ex e).
- Only works on special screens.

PCEX Series workstation

Mountings

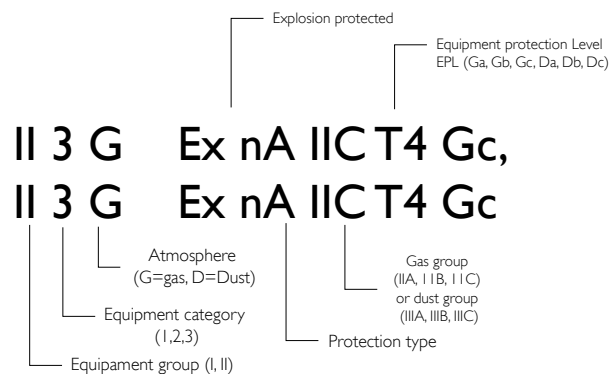
The conventional PC is taken out to the secure area, in **Zones 1, 2, 21 and 22** the workstation is set up which connects with the PC through ethernet and next to the PC in the secure area a special box of cable connections CAT 7 with entry RJ45 is placed.

A workstation network can be connected to PC servers.

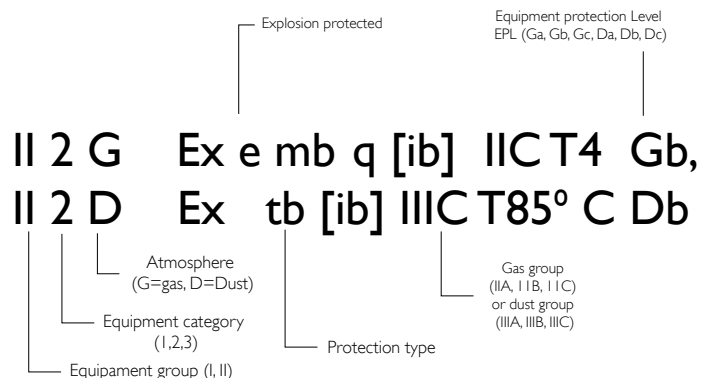


CE Certificate

Area 2



Zones 1, 21



Components Ex ATEX Delvalle

Entry Cover Atex Ex IP65

Luxorex, Tribex
and Geoex
models



Cable Glands ATEX

Cable glands Atex IP68
Inoxidable. AISI 303 AISI



Armoured cable Cable glands. nickel-plated



Cable glands Atex
polyamide metric



Plugs EX d blind
metric thread



Reduced metric
thread

Plugs ATEX

DELVALLE OFFERS OTHER SOLUTIONS ATEX

Atex enclosure
Luxorex Serie



Increased safety enclosure
Tribex Serie



Atex terminal boxes
Terbox Serie



Control equipment
Contrex Serie



Plug and socket boxes
Connex Serie

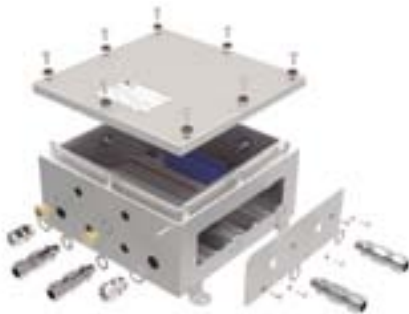


Pressurized enclosure Ex p
Peppex Serie



DELVALLE OFFERS OTHER SOLUTIONS ATEX

Atex junction box
Geoex Serie



Flameproof enclosure
 Atex Ex d
EJB Serie



Wi-Fi &
Wireless
 Systems



Lighting LED Atex
Luminex Serie



Radios Atex Ex
Walkies Talkies

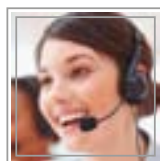


Ventilation and
 Air **Conditioning**





Flexible solutions Atex & IECEX



Paso del Prao, 6. 01320 Oyón (Álava). Spain
Telf. +34 945 601 381
www.atexdelvalle.com - atex@atexdelvalle.com
Contact us, we will be available at any time.