

# FLAMEPROOF ENCLOSURES SYSTEMS AND SOLUTIONS FOR HAZARDOUS AREAS

Zones 1, 2, 21 and 22



FLAMEPROOF ENCLOSURE EX D - EJB SERIES IP66	4
FLAMEPROOF ENCLOSURE EX D WINDOW - EJB SERIES IP66	9
STAINLESS STEEL FLAMEPROOF ENCLOSURE - EJBX SERIES IP66/67	12
JUNCTION BOX - GUB SERIES IP66/67	14
JUNCTION BOX WINDOW - GUB SERIES IP66/67	16
ATEX JUNCTION BOX - ZAYED SERIES IP66	18
ATEX CONNECTING SWITCH 16A - IP66/67	20
ATEX SWITCH 25A/32A - IP66/67	22
ATEX SWITCH 40A/63A - IP66/67	24
ELECTRONIC EARTHING SYSTEM ATEX - GROUNDEX SERIES IP66	26



Paso del Prao, 6, 01320 Oyón (Álava), Spain  
Telf. +34 945 601 381  
atex@atexdelvalle.com | www.atexdelvalle.com

# Delvalle, wide experience in manufacturing solutions for hazardous area



## WE PUT AT YOUR DISPOSAL

We offer over **45 years** providing hazardous area **solutions** to demanding customers who require very specific characteristics and behaviour according to the sector and their needs.

## WHEREVER YOU GO

We are committed to working closely with our customers, providing them with exceptional service and offering an advanced and **extensive range of hazardous area products** with very competitive prices.

## CONSULTING & ENGINEERING

Atex Delvalle adapts to our clients' needs by offering hazardous-area systems. Atex-delvalle are the leading certified assembler of Ex junction boxes, our **customized services**, **experienced design** and drafting 3D support.

## HIGH STANDARD OF QUALITY AND SERVICES

We only use materials provided by companies who offer the very highest quality, suitable and certified products. Our success is due to **top quality** assurance: ISO 9001, SGS, UL, TÜV, ISO 14000, Ohsas 1800, Atex, IECEx.



**100%**

Diseñado y fabricado íntegramente en España

Entirely designed and manufactures in Spain



## CONTACT US

Confidentiality, reliability & quality

[www.atexdelvalle.com](http://www.atexdelvalle.com)  
[atex@atexdelvalle.com](mailto:atex@atexdelvalle.com)  
 +34 945 601 381

ALSO ONLINE



Please contact our technical sales department.

A team of professionals with high experience and ability to solve all your queries.





Zones 1, 2, 21 and 22

## FLAMEPROOF ENCLOSURE EX D **EJB SERIES** IP66



Example

**We Offer you the Most  
Powerful Security**

EJB Series flameproof connection boxes are suitable for installations in areas where there are risks of explosion and also at places where dust or combustible gases are present. They are classified for Zones 1, 2, 21 and 22. IP66 degree of protection. Available in aluminum or stainless steel AISI 316L (EJBX Series).



**FOR MORE INFORMATION CLICK HERE**



# FLAMEPROOF ENCLOSURE EX D **EJB SERIES** IP66

## APPLICATIONS

The EJB Series is made for use in industries like offshore, oil & gas, the chemical and petrochemical sectors and any hazardous areas in general.

Some uses are: placing push-buttons and connecting bars, switchboards and signalling, lighting switchboards and voltage arresters, fuses, barriers, transformers,...

## TECHNICAL FEATURES

- They are classified for zones 1, 2, 21 and 22.
- The control and signaling units are mounted and fastened to the lid as indicated on the respective drawings.
- The combinations shall be compatible with the dimensions and characteristics of the units.
- Material: aluminum light alloy.
- Painting epoxy RAL 7000.
- Internal anti-condense painting RAL 2004.
- External screws in stainless steel.
- Internal plate material: zinc plated steel.
- Fixing brackets type "A" and type "B" in zinc plated steel.

## OPTIONS

- Various paints RAL.
- Fixing brackets/lugs in stainless steel.
- Mounting of external units (lights, push buttons...).
- Possibility of different window models.
- Manufacture of special custom frame.

## ADVANTAGES

- Enclosures are made to be installed in areas classified Zones 1, 2, 21 and 22, where there is danger of explosion and/or fire or the presence of combustible dusts.
- They are manufactured with a specific aluminum alloy, and they stand out because of their mechanical characteristics in the surface finish.

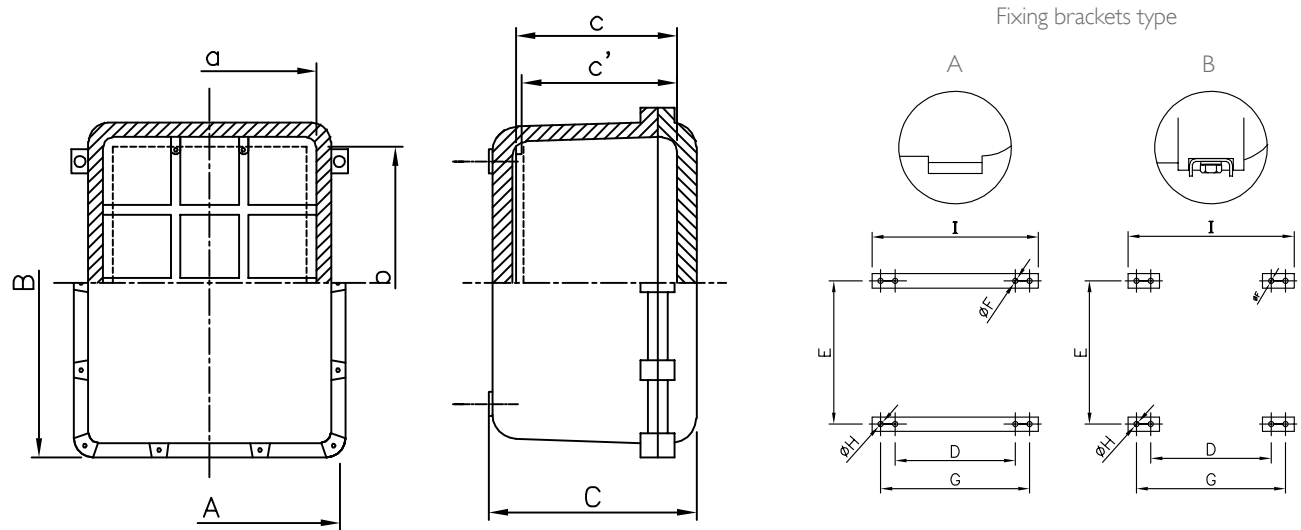


## NORMATIVE

- Certificates number:
  - INERIS 21ATEX0024X
  - IECEx INE 21.0053X
- Degree of protection: IP66
- II 2G Ex d IIB+H2 T6÷T3 Gb
- II 2D Ex tb IIIC T85°C÷T200°C Db
- Directive 2014/34/EU (ATEX)
  - EN 60079 - 0 / EN 60079 - 1
  - EN 60079 - 11 / EN 60079 - 31
  - IEC 60079 - 0 / IEC 60079 - 1
  - IEC 60079 - 11 / IEC 60079 - 31
- Work temperature:
  - -50° to +60°C

# FLAMEPROOF ENCLOSURE EX D **EJB SERIES** IP66

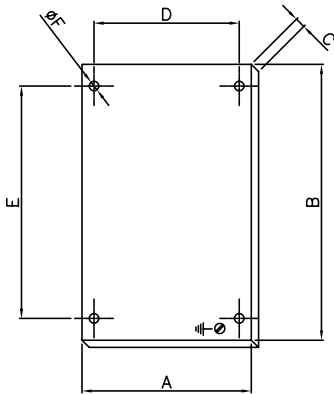
## PLAN AND REFERENCES



REFERENCES		EXTERNAL DIMENSIONS (mm)			INTERNAL DIMENSIONS (mm)				FIXING BRACKETS						WEIGHT	LID		
EJB	PLATE	WIDTH A	HIGH B	DEPTH C	WIDTH INT. a	HIGH INT. b	DEPTH INT. c	DEPTH INT. c'	TYPE	DIMENSIONS						WEIGHT (Kg)	MAX. HOLES	
										D	E	F	G	H	I		M20	M25
EJB151512	MVPM18080G	150	150	127	93	93	96	94	A	104	60	M6	140	7	160	3.2	4	4
EJB201512	MVPM1380G	150	200	127	93	143	97	95	A	104	110	M6	140	7	160	4.1	8	4
EJB201514	MVPM1380G	150	200	145	93	143	115	113	A	104	110	M6	140	7	160	4.3	8	4
EJB252015	MVPM1813G	200	250	150	140	190	118	116	A	154	160	M6	190	7	210	6.8	20	6
EJB302515	MVPM2116G	250	300	150	175	225	111	108	A	185	180	M6	230	9	255	10.6	20	9
EJB302520	MVPM2116G	250	300	200	175	225	161	158	A	185	180	M6	230	9	255	11.9	20	9
EJB352515	MVPM2616G	250	350	150	175	275	110	108	A	185	230	M6	230	9	255	12	24	12
EJB352520	MVPM2616G	250	350	200	175	275	163	160	A	185	230	M6	230	9	255	13.3	24	12
EJB403020	MVPM3020G	300	400	200	218	318	163	160	A	225	275	M8	275	9	300	18	35	12
EJB403025	MVPM3020G	300	400	255	218	318	213	211	A	225	275	M8	275	9	300	20	35	12
EJB453020	MVPM3520G	300	450	200	218	368	162	160	A	225	325	M8	275	9	300	20	40	15
EJB453025	MVPM3520G	300	450	250	218	368	213	211	A	225	325	M8	275	9	300	22.5	40	15
EJB504020	MVPM3929G	400	500	200	305	405	148	145	B	315	350	M8	370	9	400	31	48	20
EJB504025	MVPM3929G	400	500	250	305	405	200	197	B	315	350	M8	370	9	400	34	48	20
EJB553520	MVPM4424G	350	550	200	255	455	153	148	A	265	400	M10	320	11	350	31	45	20
EJB553525	MVPM4424G	350	550	250	255	455	202	199	A	265	400	M10	320	11	350	34	45	20
EJB604020	MVPM4929G	400	600	200	300	500	145	142	A	315	450	M10	370	11	400	38	30	24
EJB604025	MVPM4929G	400	600	250	300	500	198	195	A	315	450	M10	370	11	400	43	30	24
EJB654520	MVPM5232G	450	650	200	330	548	148	144	B	360	500	M10	420	11	450	49	48	24
EJB654525	MVPM5232G	450	650	250	330	548	195	191	B	360	500	M10	420	11	450	55	48	24
EJB654530	MVPM5232G	450	650	300	330	548	248	244	B	360	500	M10	420	11	450	61.5	48	24
EJB705025	MVPM5535G	500	700	250	370	580	183	180	B	395	520	M12	465	13	500	68	48	30
EJB705030	MVPM5535G	500	700	300	370	580	234	231	B	395	520	M12	465	13	500	76	48	30
EJB705035	MVPM5535G	500	700	350	370	580	283	280	B	395	520	M12	465	13	500	84	48	30
EJB755525	MVPM6040G	550	750	250	420	630	176	173	B	445	570	M12	515	13	550	82	48	40
EJB755530	MVPM6040G	550	750	300	420	630	227	224	B	445	570	M12	515	13	550	90	48	40
EJB755535	MVPM6040G	550	750	350	420	630	278	275	B	445	570	M12	515	13	550	98	48	40
EJB602014	MVPM5111G	200	600	140	115	515	104	102	A	135	470	M6	180	9	205	15.5	36	12
EJB752217	MVPM46512G	220	750	175	140	670	130	125	A	150	610	M8	200	9	225	24	42	18
EJB926733	MVPM7349G	670	920	330	550	800	245	242	A	560	650	M14	660	16	710	134	48	48
EJB926739	MVPM7349G	670	920	390	550	800	306	303	A	560	650	M14	660	16	710	145	48	48
EJB926745	MVPM7349G	670	920	450	550	800	362	359	A	560	650	M14	660	16	710	162	48	48
EJB454547	MVPM3232G	450	450	465	347	347	406	403	A	360	300	M10	420	11	450	51	36	16

# FLAMEPROOF ENCLOSURE EX D **EJB SERIES** IP66

## PLAN AND REFERENCES PLATE



REF.	DIMENSIONS (mm)			CENTRE TO CENTRE DISTANCE (mm)			WEIGHT (g)
	WIDTH (A)	HIGH (B)	DEPTH (C)	D	E	ØF	
MVPM8080G	80	80	2	60	60	5.5	100
MVPM1380G	80	130	2	60	110	5.5	160
MVPM1813G	130	180	2	110	160	5.5	350
MVPM2116G	160	210	2	140	180	5.5	510
MVPM2616G	160	260	2	140	230	5.5	650
MVPM3020G	205	305	2	185	275	6.5	950
MVPM3520G	205	355	2	185	325	6.5	1150
MVPM3929G	290	390	2.5	270	350	6.5	2150
MVPM4424G	240	440	2.5	220	400	6.5	1950
MVPM4929G	290	490	2.5	265	450	7.5	2700
MVPM5232G	320	520	2.5	300	500	7.5	3440
MVPM5535G	352	552	3	330	520	7.5	4750
MVPM6040G	402	602	3	380	570	7.5	5900
MVPM5111G	110	510	2	90	470	5.5	880
MVPM46512G	120	650	2.5	100	610	6.5	1530
MVPM7349G	490	730	3	465	640	7.5	8000
MVPM3232G	320	320	2.5	300	300	7.5	3000

## MAXIMUM DISSIPATED POWER

REF.	MODO DE PROTECCIÓN "EX D"															
	AMB. TEMP. +40°C				AMB. TEMP. +50°C				AMB. TEMP. +55°C				AMB. TEMP. +60°C			
	CLASS (T6 (85°C), T5 (100°C), T4 (135°C), T3 (200°C))															
EJB	T6	T5	T4	T3	T6	T5	T4	T3	T6	T5	T4	T3	T6	T5	T4	T3
EJB151512	23	33	57	90	17	27	50	83	13	23	47	80	10	20	43	77
EJB201512	31	44	75	119	22	35	66	110	18	31	62	106	13	26	57	101
EJB201514	35	50	86	136	25	40	76	126	20	35	71	121	15	30	66	116
EJB252015	57	82	139	220	41	65	122	204	33	57	114	196	24	49	106	188
EJB302515	70	100	170	270	50	80	150	250	40	70	140	240	30	60	130	230
EJB302520	91	130	221	351	65	104	195	325	52	91	182	312	39	78	169	299
EJB352515	51	74	125	199	37	55	111	139	28	51	102	134	18	42	92	129
EJB352520	91	130	221	351	65	104	195	325	36	66	132	173	39	78	169	299
EJB403020	81	118	199	318	59	89	177	222	44	81	163	214	30	66	148	207
EJB403025	99	144	243	387	72	108	216	270	54	99	198	261	36	81	180	252
EJB453020	90	131	222	353	66	99	197	246	49	90	181	238	33	74	164	230
EJB453025	110	160	269	429	80	120	239	299	60	110	219	289	40	90	199	279
EJB504020	112	164	276	440	82	123	245	307	61	112	225	297	41	92	205	286
EJB504025	136	198	334	532	99	148	297	371	74	136	272	359	49	111	247	346
EJB553520	110	160	270	430	80	120	240	300	60	110	220	290	40	90	200	280
EJB553525	146	210	351	555	105	169	310	514	82	146	292	497	64	129	269	473
EJB604020	139	201	335	530	100	162	296	491	78	139	279	474	61	123	257	452
EJB604025	169	243	405	641	121	196	358	594	94	169	337	574	74	148	310	547
EJB654520	167	240	401	634	120	194	354	588	93	167	334	568	73	147	307	541
EJB654525	200	288	480	760	144	232	424	704	112	200	400	680	88	176	368	648
EJB654530	233	335	559	885	168	270	494	820	130	233	466	792	103	205	429	755
EJB705025	220	317	529	837	159	256	467	775	123	220	441	749	97	194	405	714
EJB705030	256	368	614	972	184	297	542	900	143	256	512	870	113	225	470	829
EJB705035	291	419	699	1107	210	338	618	1025	163	291	583	990	128	256	536	944
EJB755525	250	360	600	950	180	290	530	880	140	250	500	850	110	220	460	810
EJB755530	289	416	694	1099	208	335	613	1018	162	289	578	983	127	254	532	937
EJB755535	328	473	788	1247	236	381	696	1156	184	328	657	1116	144	289	604	1064
EJB602014	72	103	172	273	52	83	152	253	40	72	144	244	32	63	132	233
EJB752217	111	160	267	422	80	129	236	391	62	111	222	378	49	98	205	360
EJB926733	402	579	965	1528	290	467	853	1416	225	402	804	1368	177	354	740	1303
EJB926739	461	664	1107	1753	332	535	978	1624	258	461	923	1569	203	406	849	1495
EJB926745	521	750	1249	1978	375	604	1103	1832	291	521	1041	1770	229	458	958	1686
EJB454547	257	370	615	976	185	298	545	904	144	257	514	873	113	226	473	832

Data given in the tables are expressed in Watt. For temperatures class T3 windows/round glass window are not allowed. For the enclosures containing circuits and/or intrinsically safe apparatus, associated or not to "General Purpose" electrical equipment, only temperature class T6 is allowed with reference to an ambient temperature range -20°C +60°C.

# FLAMEPROOF ENCLOSURE EX D **EJB SERIES** IP66

REF.	PROTECTION MODE "EX D" (IA)							
	AMB. TEMP. +40°C			AMB. TEMP. +50°C		AMB. TEMP. +55°C		AMB. TEMP. +60°C
	MAX. AMB. TEMPERATURE IS BARRIER							
EJB	60°C	70°C	80°C	70°C	80°C	70°C	80°C	80°C
EJB151512	7	10	17	7	10	3	7	7
EJB201512	9	13	22	9	13	4	9	9
EJB201514	10	15	25	10	15	5	10	10
EJB252015	16	24	41	16	24	8	16	16
EJB302515	20	30	50	20	30	10	20	20
EJB302520	26	39	65	26	39	13	26	26
EJB352515	14	28	42	14	28	9	23	14
EJB352520	26	39	65	26	39	12	30	26
EJB403020	22	44	66	22	44	15	37	22
EJB403025	27	54	81	27	54	18	45	27
EJB453020	25	49	74	25	49	16	41	25
EJB453025	30	60	90	30	60	20	50	30
EJB504020	31	61	92	31	61	20	51	31
EJB504025	37	74	111	37	74	25	62	37
EJB553520	30	60	90	30	60	20	50	30
EJB553525	47	82	111	47	82	29	64	47
EJB604020	45	78	106	45	78	28	61	45
EJB604025	54	94	128	54	94	34	74	54
EJB654520	53	93	127	53	93	33	73	53
EJB654525	64	112	152	64	112	40	88	64
EJB654530	75	130	177	75	130	47	103	75
EJB705025	70	123	167	70	123	44	97	70
EJB705030	82	143	194	82	143	51	113	82
EJB705035	93	163	221	93	163	58	128	93
EJB755525	80	140	190	80	140	50	110	80
EJB755530	93	162	220	93	162	58	127	93
EJB755535	105	184	249	105	184	66	144	105
EJB602014	23	40	55	23	40	14	32	23
EJB752217	36	62	84	36	62	22	49	36
EJB926733	129	225	306	129	225	80	177	129
EJB926739	148	258	351	148	258	92	203	148
EJB926745	167	297	396	167	291	104	229	167
EJB454547	82	80	195	82	80	51	113	82

Data given in the tables are expressed in Watt. For temperatures class T3 windows/round glass window are not allowed. For the enclosures containing circuits and/or intrinsically safe apparatus, associated or not to "General Purpose" electrical equipment, only temperature class T6 is allowed with reference to an ambient temperature range -20°C +60°C.







Zones 1, 2, 21 and 22

# FLAMEPROOF ENCLOSURE WINDOW EX D

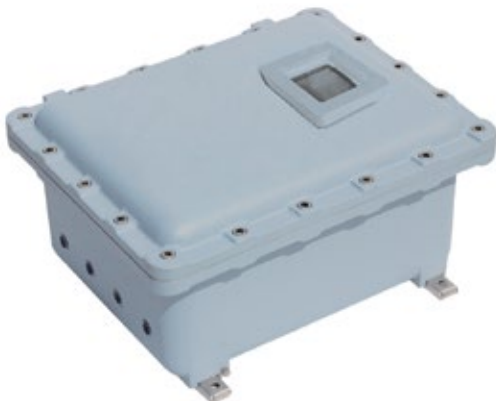
## EJB SERIES IP66



Example with external circular glass window



Example with internal rectangular glass window



Example with external rectangular glass window

### We Offer you the Most Powerful Security

EJB Series flameproof connection boxes with window are suitable for installations in areas where there are risks of explosion, and also at places where dust or combustible gases are present. Ideal to interconnect the wires and to accommodate a vast variety of equipment and instruments. The enclosures are equipped with a lid with flanged joints, on which a rectangular window or a porthole, made with tempered glass and internal or external frames, may be created to be able to see the instruments located inside.



[FOR MORE INFORMATION CLICK HERE](#)



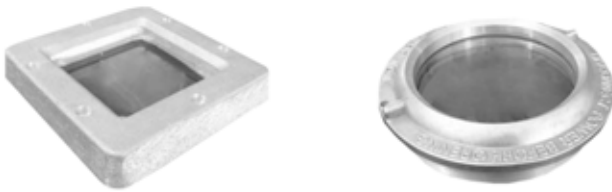
## TECHNICAL FEATURES

- Windows in thermoresistant tempered glass.
- Frame in aluminum light alloy.
- Certificated either for the version complete with electrical apparatus or empty as an Ex component.
- Material: aluminum light alloy.
- Painting epoxy RAL 7000.
- Internal anti-condense painting RAL 2004.
- External screws in stainless steel.
- Internal plate material: zinc plated steel.
- Fixing brackets type "A" and type "B" in zinc plated steel.

# FLAMEPROOF ENCLOSURE WINDOW EX D **EJB SERIES** IP66

## OPTIONS

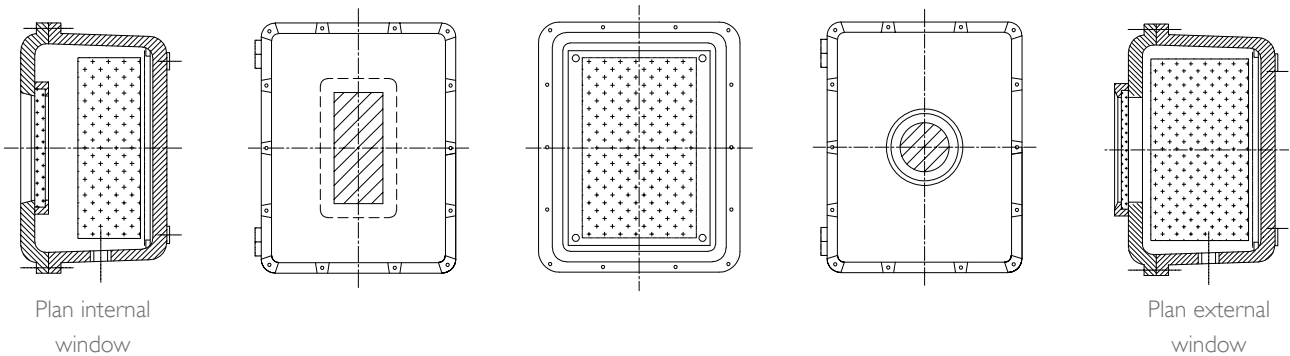
- Various paints RAL.
- Fixing brackets/lugs in stainless steel.
- Mounting of external units (lights, push buttons...).
- Possibility of different window models.
- Manufacture of special custom frame.



## NORMATIVE

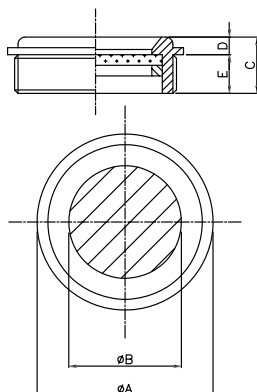
- Degree of protection: IP66
- II 2G Ex d IIB+H2T6÷T3 Gb
- II 2D Ex tb IICT85°C÷T200°C Db
- Directive 2014/34/EU (ATEX)
  - EN 60079 - 0 / EN 60079 - 1  
EN 60079 - 11 / EN 60079 - 31
  - IEC 60079 - 0 / IEC 60079 - 1  
IEC 60079 - 11 / IEC 60079 - 31
- Work temperature:
  - -50° to +60°C

## PLAN ENCLOSURE



## PLAN AND REFERENCES EXTERNAL CIRCULAR GLASS WINDOW

These window references are in addition to the EJB Series explosion proof enclosure references (page 6).

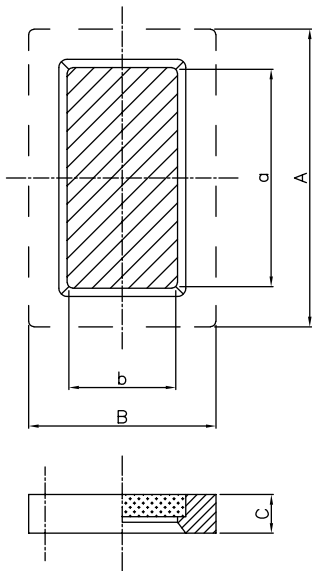


REFERENCES	DIMENSIONS (mm)				
CIRCULAR EXTERNAL	ØA	ØB	C	D	E
VR4	71	38	29	10	19
VR6	91	50	29	9	20
VR7	130	82	35	14	21
VR9	145	96	35	13	22
VR15	165	115	37	14	23
VR18	199	140	41	17	24
VR22	240	165	48	22	26
VR25	270	195	50	22	28

# FLAMEPROOF ENCLOSURE WINDOW EX D **EJB SERIES** IP66

## PLAN AND REFERENCES INTERNAL RECTANGULAR GLASS WINDOW

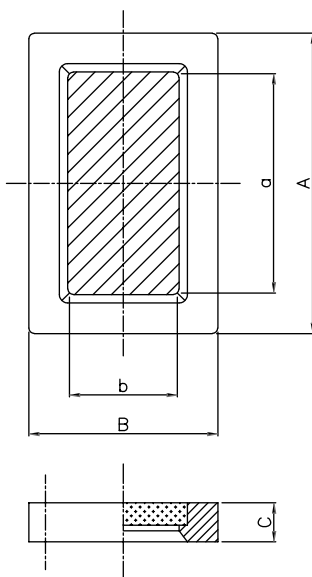
These window references are in addition to the EJB Series explosion proof enclosure references (page 6).



REFERENCES	DIMENSIONS (mm)				
INTERNAL RECTANGULAR	A	B	C	a	b
V00	96	96	23	49	49
V01	120	96	23	73	49
V02	146	96	23	98	49
V03	194	96	23	146	49
V04	242	96	23	194	49
V07	290	96	27	242	49
V09	338	96	27	290	49
V11	125	125	28	73	73
V12	150	125	28	98	73
V13	198	125	28	146	73
V16	270	125	31	218	73
V19	342	125	31	290	73
V22	156	156	31	98	98
V23	204	156	31	146	98
V24	252	156	31	194	98
V25	258	156	31	200	98
V28	318	156	31	260	98
V29	348	156	31	290	98
V33	208	208	37	146	146
V34	256	208	37	194	146
V48	320	250	44	263	194

## PLAN AND REFERENCES EXTERNAL RECTANGULAR GLASS WINDOW

These window references are in addition to the EJB Series explosion proof enclosure references (page 6).



REFERENCES	DIMENSIONS (mm)				
EXTERNAL RECTANGULAR	A	B	C	a	b
V00F	96	96	23	49	49
V01F	120	96	23	73	49
V02F	146	96	23	98	49
V03F	194	96	23	146	49
V04F	242	96	23	194	49
V07F	290	96	27	242	49
V09F	338	96	27	290	49
V11F	125	125	28	73	73
V12F	150	125	28	98	73
V13F	198	125	28	146	73
V16F	270	125	31	218	73
V19F	342	125	31	290	73
V22F	156	156	31	98	98
V23F	204	156	31	146	98
V24F	252	156	31	194	98
V25F	258	156	31	200	98
V28F	318	156	31	260	98
V29F	348	156	31	290	98
V33F	208	208	37	146	146
V34F	256	208	37	194	146
V48F	320	250	44	263	194

It is possible to mount rectangular glass window externally up to code EJB604025 included. For enclosures of upper size the rectangular glass window can only be mounted internally.



Zones 1, 2, 21 and 22

# STAINLESS STEEL FLAMEPROOF ENCLOSURE

## EJBX SERIES

IP66

IP67



Example

**Its Design and Features  
Make them Perfect  
for Outdoor Installations**

EJB-X Series junction boxes in stainless steel have mechanical and anti-corrosion features superior than boxes in aluminium alloy making them suitable for chemically aggressive and extreme environments as marine one. They are used either as junction boxes with/without terminals or for installation of electrical equipment.



**FOR MORE INFORMATION CLICK HERE**

## TECHNICAL FEATURES

- Body and cover in AISI 316L stainless steel.
- Hinges: lost-wax cast and welded onto enclosure
- Lid handle: made of black painted steel for EJBX715131, EJBX715121, EJBX866440, EJBX866430 and EJBX107035, made of black painted plastic for all other models.
- Treatment: quartz sand blasting.
- Earth screws: M6 stainless steel.
- Mounting brackets: 4 feet welded onto body.
- Gasket: acid, hydrocarbon and high temperature-resistant silicone, located between body and lid.
- Stainless steel hinges with mounting brackets included.
- Body and cover can be drilled and threaded according to customer's specification.

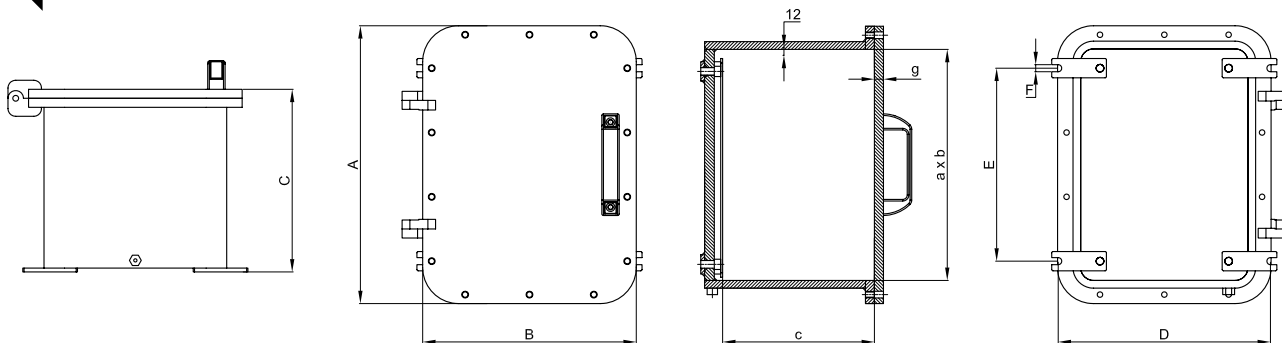


# STAINLESS STEEL FLAMEPROOF ENCLOSURE **EJBX SERIES** IP66 IP67

## MARKING

- II 2(I)G:
  - Ex d[ia Ga] IIB T6, T5 Gb
  - Ex d[ia Ga] IIB + H2 T6, T5 Gb
- I M2:
  - Ex d[ia Ma] I Mb
- II 2(I)GD:
  - Ex d[ia Ga] IIB T6, T5 Gb
  - Ex tb[ia Da] IICT85°C, T100°C Db IP66/67
  - Ex d[ia Ga] IIB+H2 T6, T5 Gb
  - Ex tb[ia Da] IICT85°C, T100°C Db IP66/67
- II 2G:
  - Ex d IIB T6, T5, T4 Ga
- I M2:
  - Ex d I Mb
- II 2GD:
  - Ex d IIB T6, T5, T4
  - Ex tb IICT85°C, T100°C, T135°C Db IP66/67
  - Ex d IIB+H2 T6, T5, T4 Gb
  - Ex tb IICT85°C, T100°C, T135°C Db IP66/67

## PLAN



## REFERENCES

REFERENCES	DIMENSIONS									LID (MAX. NUMBER HOLES)	INTERNAL PLATE REFERENCES
	OUTSIDE DIMENSIONS			INSIDE DIMENSIONS			MOUNTING				
EJBX ENCLOSURE	A	B	C	d	e	c	E	D	F		
EJBX272116	272	212	166	200	140	123	140	210	11	2	BFE-01SS
EJBX272114	272	212	142	200	140	100	140	210	11	2	BFE-01SS
EJBX312120	312	212	206	240	140	152	180	210	11	5	BFE-1SS
EJBX432320	432	232	206	360	160	152	300	230	11	9	BFE-2SS
EJBX372926	372	292	266	300	220	212	290	240	11	12	BFE-3SS
EJBX372920	372	292	206	300	220	152	290	240	11	12	BFE-3SS
EJBX433328	432	332	286	360	260	232	330	300	11	17	BFE-4SS
EJBX433321	432	332	216	360	260	162	330	300	11	17	BFE-4SS
EJBX563828	562	382	286	490	310	232	440	390	11	28	BFE-4SSS
EJBX563823	562	382	236	490	310	182	440	390	11	28	BFE-4SSS
EJBX634332	632	432	326	560	360	272	500	430	11	40	BFE-5SS
EJBX634325	632	432	256	560	360	202	500	430	11	40	BFE-5SS
EJBX715131	710	510	318	610	410	255	540	560	20	51	BFE-5SSS
EJBX715121	710	510	218	610	410	155	540	560	20	51	BFE-5SSS
EJBX866440	860	640	409	760	540	346	680	680	20	70	BFE-6SS
EJBX866430	860	640	309	760	540	246	680	680	20	70	BFE-6SS
EJBX107035	1000	700	350	900	600	270	820	520	M16	96	BFE-7SS



Zones 1, 2, 21 and 22

# JUNCTION BOX **GUB SERIES** IP66 IP67

**We Offer High Reliability Atex**



Example standard depth



Example extended depth

## OPTIONS

- Various RAL paints.
- External units (signaling units, pushbuttons,...).
- Standard or extended depth by adding one of the extensions (short or long) to accommodate larger instruments.

GUB Series junction boxes have a screw cap and are used either as junction boxes with/without terminals or for installation of electrical equipment such as fuses, relays, disconnectors, remote control switches, transformers, ballast,...

## TECHNICAL FEATURES

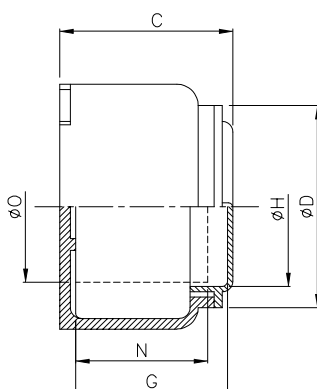
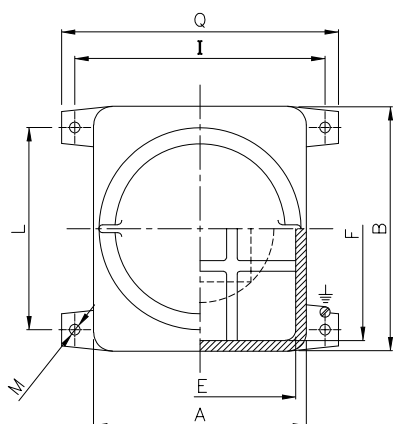
- Zones 1, 2, 21 and 22.
- Entries threading: NPT and metric.
- Material aluminum light alloy.
- Painting external: epoxy RAL 7000.
- Internal anti-condense painting RAL 2004.
- Plate material: tropicalized steel.
- Standard or extended depth by adding one of the extensions (short or long) to accommodate larger instruments.
- Certificated either for the version complete with electrical apparatus or empty as an Ex component.

## NORMATIVE

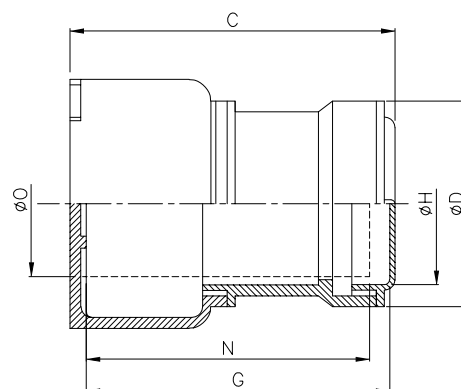
- Degree of protection IP66 / IP67.
- II 2G Ex d IICT6÷T4 Gb
- II 2D Ex tb IIICT85°C÷T135°C Db
- Directive 2014/34/EU (ATEX)
  - EN 60079 - 0 / EN 60079 - 1  
EN 60079 - 11 / EN 60079 - 31
- IEC 60079 - 0 / IEC 60079 - 1  
IEC 60079 - 11 / IEC 60079 - 31
- Work temperature:
  - Standard -20° to +40°C.
  - Extended -50° to +80°C.

# JUNCTION BOX **GUB SERIES** IP66 IP67

## PLAN AND REFERENCES



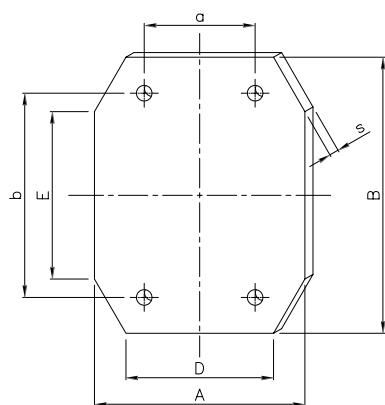
Box with standard depth



Box with extended depth

REF.	EXTERNAL DIMENSIONS (mm)				INTERNAL DIMENSIONS (mm)					MOUNTING TEMPLATE (mm)			ELECTRICAL APPARATUS (mm)		WEIGHT (kg)
GUB	A	B	C	ØD	Q	E	F	G	ØH	I	L	M	N	ØO	WEIGHT
GUB151511	150	150	110	130	195	122	122	90	102	175	125	8	80	95	2.9
GUB161612	165	165	120	145	210	137	137	100	117	190	140	8	9	110	3.5
GUB191915	190	190	150	166	238	160	160	122	135	215	165	8	110	125	5.6
GUB252217	225	255	172	200	290	193	223	145	161	260	220	10	130	156	10.4
GUB302720	270	305	202	240	330	238	273	160	198	300	270	10	145	190	14.6
GUB343024	300	340	240	270	360	264	304	190	225	330	300	10	175	217	21.3
GUB151517	150	150	170	130	195	122	122	150	102	175	125	8	140	95	3.2
GUB161618	165	165	183	145	210	137	137	160	117	190	140	8	150	110	3.8
GUB191924	190	190	243	166	238	160	160	210	135	215	165	8	195	125	7
GUB252226	225	255	260	200	290	193	223	240	161	260	220	10	225	156	12.5
GUB302730	270	305	305	240	330	238	273	260	198	300	270	10	245	190	17.6
GUB343035	300	340	350	270	360	264	304	300	225	330	300	10	285	217	25
GUB151520	150	150	201	130	195	122	122	180	102	175	125	8	170	95	3.2
GUB161622	165	165	223	145	210	137	137	200	117	190	140	8	190	110	3.8
GUB191929	190	190	293	166	238	160	160	260	135	215	165	8	245	125	7.3
GUB252233	225	255	335	200	290	193	223	315	161	260	220	10	300	156	13.4
GUB302738	270	305	380	240	330	238	273	335	198	300	270	10	320	190	19
GUB343044	300	340	440	270	360	264	304	390	225	330	300	10	375	217	26.9

## PLAN AND REFERENCES PLATE



REF.	MODEL	DIMENSIONS (mm)					INTERNAL FIXING			WEIGHT (g)
PLATE	BOX	A	B	D	E	S	a	b	ØC	WEIGHT
MVPM1010G	GUB151512	105	105	42	92	2	40	90	M6	160
	GUB151517									
	GUB151520									
MVPM1212G	GUB161612	120	120	48	100	2	48	100	M6	210
	GUB161618									
	GUB161622									
MVPM1414G	GUB191915	140	140	70	124	2	58	120	M6	380
	GUB191924									
	GUB191929									
MVPM1916G	GUB252217	160	190	75	150	2	70	147	M6	620
	GUB252226									
	GUB252233									
MVPM2320G	GUB302720	200	230	88	182	2	85	182	M6	900
	GUB302730									
	GUB302738									
MVPM2621G	GUB343024	215	265	100	207	2	100	207	M6	1170
	GUB303035									
	GUB343044									



Zones 1, 2, 21 and 22

## JUNCTION BOX WINDOW **GUB SERIES** IP66 IP67

**We Offer High Reliability Atex**



Example standard depth



Example extended depth

GUB Series junction boxes with window have a screw cap and are used either as junction boxes with/without terminals or for installation of electrical equipment such as fuses, relays, disconnectors, remote control switches, transformers, ballast,...

GUB Series instrument housings, supplied with a circular borosilicate window, are used to contain analogical and digital instruments such as ammeters and voltmeters.

### TECHNICAL FEATURES

- Zones 1, 2, 21 and 22.
- Entries threading: NPT and metric.
- Windows in thermoresistant tempered glass.
- Material aluminum light alloy.
- Painting external: epoxy RAL 7000.
- Internal anti-condense painting RAL 2004.
- Plate material: tropicalized steel.
- Standard or extended depth by adding one of the extensions (short or long) to accommodate larger instruments.
- Certificated either for the version complete with electrical apparatus or empty as an Ex component.

### NORMATIVE

- Degree of protection IP66 / IP67.
- II 2G Ex d IICT6÷T4 Gb
- II 2D Ex tb IICT85°C÷T135°C Db
- Directive 2014/34/EU (ATEX)
  - EN 60079 - 0 / EN 60079 - 1
  - EN 60079 - 11 / EN 60079 - 31
- IEC 60079 - 0 / IEC 60079 - 1
- IEC 60079 - 11 / IEC 60079 - 31
- Work temperature:
  - Standard -20° to +40°C.
  - Extended -50° to +80°C.

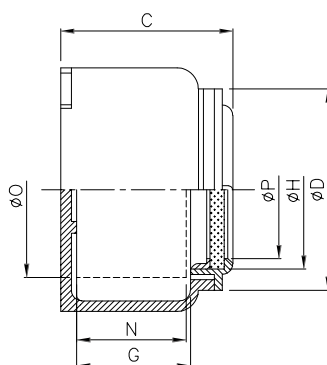
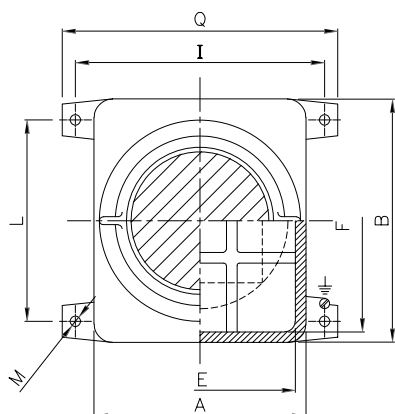
### OPTIONS

- Various RAL paints.
- External units (signaling units, pushbuttons,...).
- Standard or extended depth by adding one of the extensions (short or long) to accommodate larger instruments.

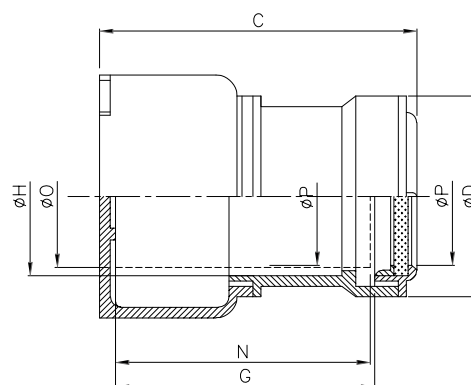


# JUNCTION BOX WINDOW **GUB SERIES** IP66 IP67

## PLAN AND REFERENCES



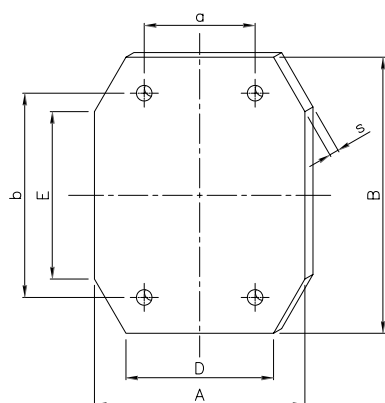
Box with standard depth



Box with extended depth

REF.	EXTERNAL DIMENSIONS (mm)				INTERNAL DIMENSIONS (mm)				MOUNTING TEMPLATE (mm)			ELECTRICAL APPARATUS (mm)		OPENING	WEIGHT (kg)	
	A	B	C	ØD	Q	E	F	G	ØH	I	L	M	N	ØO	ØP	WEIGHT
GUB WITH WINDOW																
GUB151511T	150	150	110	130	195	122	122	59	112	175	125	8	57	105	82	3
GUB161612T	165	165	120	145	210	137	137	69	127	190	140	8	67	120	96	3.7
GUB191915T	190	190	150	166	238	160	160	91	147	215	165	8	89	140	115	5.8
GUB252217T	225	255	170	200	290	193	223	108	176	260	220	10	106	170	140	10.7
GUB302720T	270	305	202	240	330	238	273	132	216	300	270	10	130	205	165	14.8
GUB343024T	300	340	240	270	360	264	304	157	245	330	300	10	155	235	195	21
GUB151517T	150	150	170	130	195	122	122	121	112	175	125	8	119	105	82	3.3
GUB161618T	165	165	180	145	210	137	137	129	127	190	140	8	127	120	96	4
GUB191924T	190	190	243	166	238	160	160	183	147	215	165	8	181	140	115	7.2
GUB252226T	225	255	260	200	290	193	223	197	176	260	220	10	195	170	140	12.8
GUB302730T	270	305	305	240	330	238	273	235	216	300	270	10	235	205	165	17.8
GUB343035T	300	340	350	270	360	264	304	270	245	330	300	10	267	235	195	25.3
GUB151520T	150	150	200	130	195	122	122	151	112	175	125	8	149	105	82	3.3
GUB161622T	165	165	220	145	210	137	137	169	127	190	140	8	167	120	96	4
GUB191929T	190	190	293	166	238	160	160	233	147	215	165	8	231	140	115	7.5
GUB252233T	225	255	335	200	290	193	223	272	176	260	220	10	270	170	140	13.7
GUB302738T	270	305	380	240	330	238	273	310	216	300	270	10	307	205	165	19.2
GUB343044T	300	340	440	270	360	264	304	360	245	330	300	10	357	235	195	27.2

## PLAN AND REFERENCES PLATE



REF.	MODEL	DIMENSIONS (mm)					INTERNAL FIXING			WEIGHT (g)
		A	B	D	E	S	a	b	ØC	WEIGHT
MVPM1010G	GUB151511T	105	105	42	92	2	40	90	M6	160
	GUB151517T									
	GUB151520T									
MVPM1212G	GUB161612T	120	120	48	100	2	48	100	M6	210
	GUB161618T									
	GUB161622T									
MVPM1414G	GUB191915T	140	140	70	124	2	58	120	M6	380
	GUB191924T									
	GUB191929T									
MVPM1916G	GUB252217T	160	190	75	150	2	70	147	M6	620
	GUB252226T									
	GUB252233T									
MVPM2320G	GUB302720T	200	230	88	182	2	85	182	M6	900
	GUB302730T									
	GUB302738T									
MVPM2621G	GUB343024T	215	265	100	207	2	100	207	M6	1170
	GUB303034T									
	GUB303044T									



Zones I, 2, 21 and 22

# ATEX JUNCTION BOX **ZAYED SERIES** IP66



Example

## We Offer High Reliability ATEX

Series junction boxes are used either as junction boxes with/without terminals or for installation of electrical equipment. It can be equipped with control devices wherees. Series instrument housings, supplied with a borosilicate glass round window, are used to contain analogical and digital instruments.

→ [FOR MORE INFORMATION CLICK HERE](#)

## TECHNICAL FEATURES

- Zones I, 2, 21 y 22.
- The internal components can be easily installed thanks to the external flange structure.
- The series boxes are equipped with a cylindrical coupling joint so that they can be equipped with control devices. Hinged cover.
- Stainless steel screws.
- Low copper content aluminium alloy
- Body and cover in low copper content aluminium alloy.
- Internal/external stainless steel earth screws.
- Fixing lugs.
- RAL 7035 epoxy coating.
- Neoprene gasket.

## MARKING

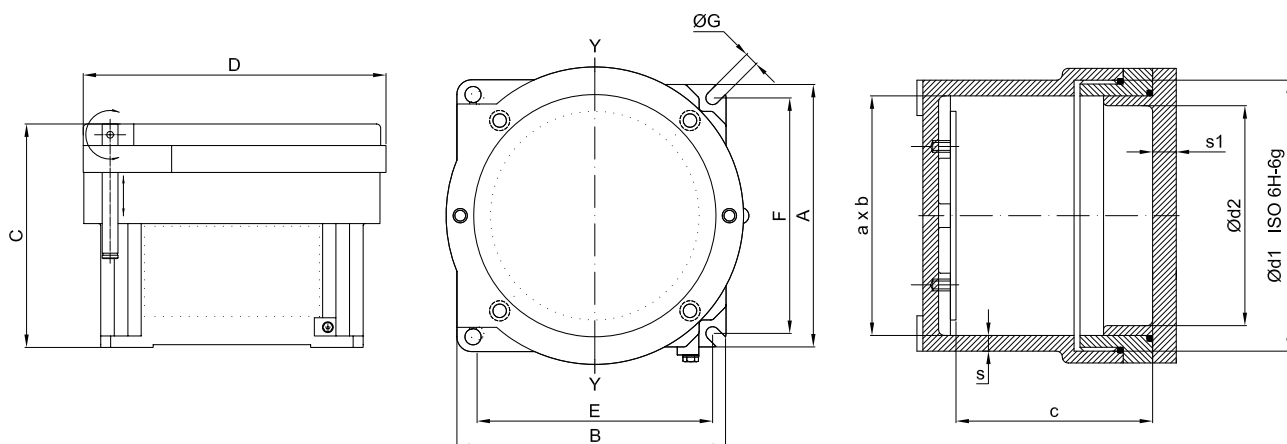
- II 2(I)G:
  - Ex d[ia Ga] IICT6 or T5
- II 2(I)GD:
  - Ex d[ia Ga] IICT6 or T5
  - Ex tb[ia Da] IICT85°C or T100°C
- II 2 GD:
  - Ex d IICT6, T5 Gb
  - Ex tb IICT85°C, T100°C Db IP66

## ACCESSORIES

- Mounting plate.
- Internal anti-condensation coating.
- Breather and drain valve.
- Instruments.

# ATEX JUNCTION BOX **ZAYED SERIES** IP66

## PLAN



## REFERENCES

REFERENCES	EXTERNAL DIMENSIONS				INTERNAL DIMENSIONS			FIXING			PLATE INTERNAL
	A	B	C	d	a	b	c	E	F	GØ	REFERENCES
ZY121212P	128	128	125	146	104	104	114	111	138	9	TF-0E
ZY141412P	145	145	128	160	121	121	113	128	150	9	TF-01E
ZY191915P	195	195	150	212	171	171	130	175	175	10	TF-02E
ZY242421P	240	240	210	260	216	216	187	213	213	12	TF-03E
ZY383827P	385	385	275	410	353	353	212	339	339	14	TF-04E



Zones 1, 2, 21 and 22

# ATEX CONNECTING SWITCH 16A IP66 IP67

**Model Suitable  
for Currents Up to 16 A**



Example

[→ FOR MORE INFORMATION CLICK HERE](#)

## CERTIFICATES

- Degree of protection IP66 / IP67.
- Protection type:
  - II2G Ex d IIB or IICT6÷T5 Gb
  - II2D Ex tb IIIC T85°C÷T100°C Db
- Normative:
  - Directive 2014/34/UE

Breakers, selector switches, connecting switches are of rotating type with its knob on the front.

Model suitable for currents up to 16 A and voltages up to 690 VAC / 660 VDC.

## TECHNICAL FEATURES

- Zones 1, 2, 21 and 22.
- Material: aluminum light alloy.
- External screws in stainless steel.
- External epoxy RAL 7000.
- Suitable for currents up to 16 A and voltages up to 690 VAC / 660 VDC.
- The temperature class T6/T85°C considers an ambient temperature extended up to +60°C and class T5/T100°C with an extended up to +80°C
- NPT cable glands.

## OPTIONS

- Version for group gas IIC.
- Knob pad-lockable.
- Cable entries isometric M25×1.5.
- Extended temperature: -50°C to +80°C.

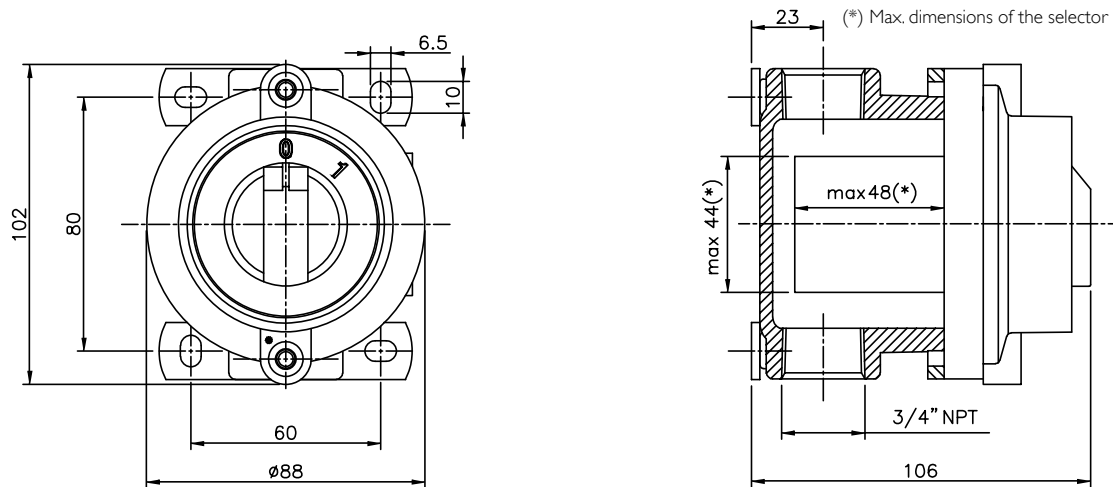
- EN IEC 60079-0
- EN IEC 60079-1
- EN IEC 60079-31
- Ambient temperature:
  - Standard: -20°C <Ta<+40°C
  - Extended: -50°C <Ta<+80°C

# ATEX CONNECTING SWITCH I6A

IP66

IP67

## PLAN AND DIMENSIONS



## REFERENCES

Reference configuration. Examples: RS116--M, RS416M-N or RS316C-M.

1	+	2	+	3	+	4	+	5	+	6
Code		Number of Poles		Max. Current (A)		Switch Function		Special Electrical Diagram		Threading
RS		1: 1 pole 2: 2 poles 3: 3 poles 4: 4 poles		16		-: 1 pole switch C: 3 poles switch D: 2 poles switch I: Reverser switch M: Connecting switch		-		N: NPT threading M: Metric threading
RS		3		16		C		-		M

ATEX SWITCH I6A			
REFERENCES	DESCRIPTION	SWITCH FUNCTION	WEIGHT (g)
RS116	1 pole switch	-	700
RS216	2 poles switch	-	700
RS316	3 poles switch	-	700
RS416	4 poles switch	-	700
RS116C	1 pole 3 position changeover switch	C	700
RS216C	2 poles 3 position changeover switch	C	700
RS316C	3 poles 3 position changeover switch	C	700
RS116D	1 pole 2 position changeover switch	D	700
RS216D	2 poles 2 position changeover switch	D	700
RS316D	3 poles 3 position changeover switch	D	700
RS_I	(*) Reverser switch three poles up to 16 A	I	700
RS_M-	(*) Single or multiple pole connecting switch up to 32 A	"M" followed by diagram code	700

(\*) Max. dimensions of the selector



Zones 1, 2, 21 and 22

# ATEX SWITCH 25A - 32A

IP66

IP67

**Model Suitable  
for Currents Up to 32A**

Breakers, selector switches, connecting switches are of rotating type with its knob on the front.

Model for currents up to 32 A and voltages up to 690 VAC / 660 VDC.



Example



**FOR MORE INFORMATION CLICK HERE**

## TECHNICAL FEATURES

- Zones 1, 2, 21 and 22.
- Material: aluminum light alloy.
- External screws in stainless steel.
- External epoxy RAL 7000.
- Suitable for currents up to 32 A and voltages up to 690 VAC / 660 VDC.
- The temperature class T6/T85°C considers an ambient temperature extended up to +60°C and class T5/T100°C with an extended up to +80°C
- NPT cable glands.

## OPTIONS

- Knob pad-lockable.
- Isometric cable entries.
- Extended temperature: -50°C to +80°C.

## CERTIFICATES

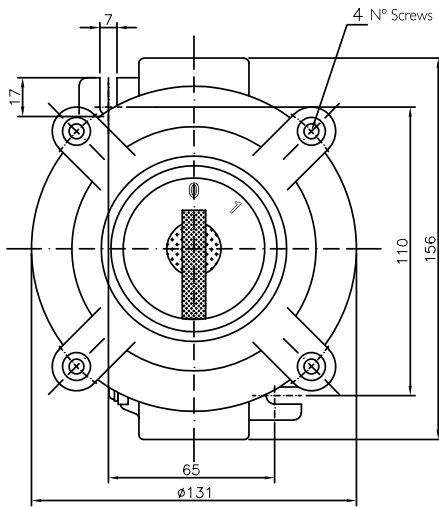
- Degree of protection IP66 / IP67.
- Protection type:
  - II2G Ex d IIB or IICT6÷T5 Gb
  - II2D Ex tb IICT85°C÷T100°C Db
- Normative:
  - Directive 2014/34/UE
  - EN IEC 60079-0
  - EN IEC 60079-1
  - EN IEC 60079-31
- Ambient temperature:
  - Standard: -20°C <Ta<+40°C
  - Extended: -50°C <Ta<+80°C

# ATEX SWITCH 25A - 32A

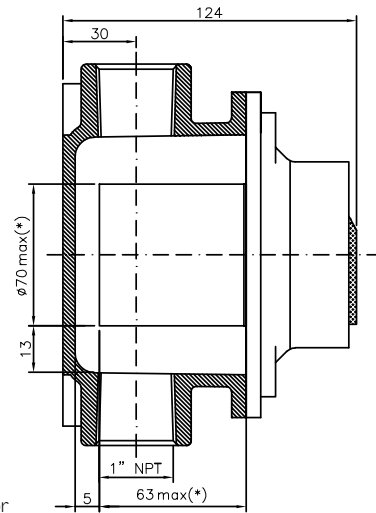
IP66

IP67

## PLAN AND DIMENSIONS



(\*) Max. dimensions of the selector



## REFERENCES

Reference configuration. Examples: RS125D-N, RS432I-M or **RS332C-M**.

1	+	2	+	3	+	4	+	5	+	6
Code		Number of Poles		Max. Current (A)		Switch Function		Special Electrical Diagram		Threading
RS		1: 1 pole 2: 2 poles 3: 3 poles 4: 4 poles		25: 25A 32: 32A		-: 1 pole switch C: 3 poles switch D: 2 poles switch I: Reverser switch M: Connecting switch		-		N: NPT threading M: Metric threading
RS		3		32		C		-		M

ATEX SWITCH 25A - 32A			
REFERENCE	DESCRIPTION	SWITCH FUNCTION	WEIGHT (g)
RS325	3 poles switch - 25 A	-	1300
RS425	4 poles switch - 25 A	-	1300
RS332	3 poles switch - 32 A	-	1300
RS432	4 poles switch - 32 A	-	1300
RS_ _C	(*) Single or multiple pole 3 position changeover switch up to 32 A	C (*)	-
RS_ _D	(*) Single or multiple pole 2 position changeover switch up to 32 A	D (*)	-
RS_ _I	(*) 3 poles reverser switch up to 32 A	I (*)	-
RS_ _M-	(*) Single or multiple pole connecting switch up to 32 A	"M" followed by diagram code	-

(\*) Max. dimensions of the selector

(°) Diagrams C - D - I - M are available up to size 32 A



Zones 1, 2, 21 and 22

# ATEX SWITCH 40A - 63A

IP66

IP67

**Model Suitable  
for Currents Up to 63A**

Breakers, selector switches, connecting switches are of rotating type with its knob on the front.

Model for currents up to 63 A and voltages up to 690 VAC / 660 VDC.



Example



**FOR MORE INFORMATION CLICK HERE**

## TECHNICAL FEATURES

- Zones 1, 2, 21 and 22.
- Material: aluminum light alloy.
- External screws in stainless steel.
- External epoxy RAL 7000.
- Suitable for currents up to 63 A and voltages up to 690 VAC / 660 VDC.
- The temperature class T6/T85°C considers an ambient temperature extended up to +60°C and class T5/T100°C with an extended up to +80°C
- NPT cable glands.

## OPTIONS

- Knob pad-lockable.
- Isometric cable entries.
- Extended temperature: -50°C to +80°C.

## CERTIFICATES

- Degree of protection IP66 / IP67.
- Protection type:
  - II2G Ex d IIB or IICT6÷T5 Gb
  - II2D Ex tb IIIC T85°C÷T100°C Db
- Normative:
  - Directive 2014/34/UE
  - EN IEC 60079-0
  - EN IEC 60079-1
  - EN IEC 60079-31
- Ambient temperature:
  - Standard: -20°C <Ta<+40°C
  - Extended: -50°C <Ta<+80°C

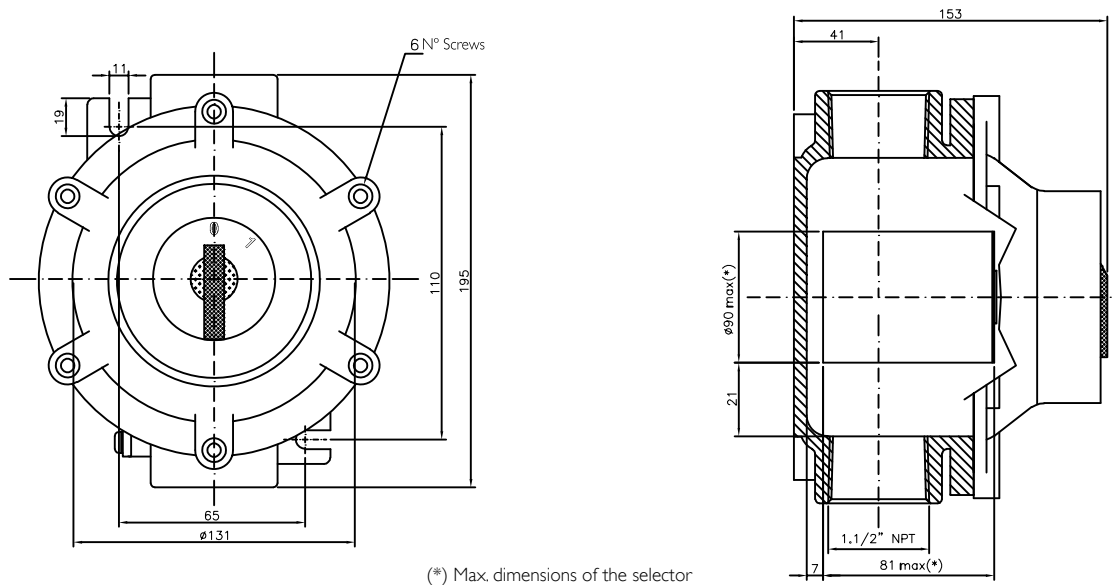


# ATEX SWITCH 40A - 63A

IP66

IP67

## PLAN AND DIMENSIONS



## REFERENCES

Reference configuration. Examples: RS140--N, RS463--N or RS363--M.

1	+	2	+	3	+	4	+	5	+	6
Code		Number of Poles		Max. Current (A)		Switch Function		Special Electrical Diagram		Threading
RS		1: 1 pole 2: 2 poles 3: 3 poles 4: 4 poles		40: 40A 63: 63A		-: 1 pole switch		-		N: NPT threading M: Metric threading
RS		3		63		-		-		M

ATEX SWITCH 40A - 63A			
REFERENCE	DESCRIPTION	SWITCH FUNCTION	WEIGHT (g)
RS340	3 poles switch - 40 A	-	2300
RS440	4 poles switch - 40 A	-	2300
RS363	3 poles switch - 63 A	-	2300
RS463	4 poles switch - 63 A	-	2300



Zones 1, 2, 21 and 22

# ELECTRONIC EARTHING SYSTEM ATEX

## GROUNDDEX SERIES IP66



Example

### An Ideal Solution for Avoid Explosions

Monitor electronic ground start ideal for areas that may be present an explosive atmosphere, electrostatic discharge can trigger a fire or explosion.

The transfer of flammable liquids is an operation in which these factors and essential protection measure is usually present grounding of tank trucks, drums, containers and equipment.



[FOR MORE INFORMATION CLICK HERE](#)

## TECHNICAL FEATURES

- Zones 1, 2, 21 and 22.
- Voltages: AC 220V 50/60Hz (option: other voltages on request).
- Protection type: IP66.
- Input / output: 3 x 3/4\* GK.

## OPTIONS

- Anticondensation innerliner.
- Drainage and ventilation valve.

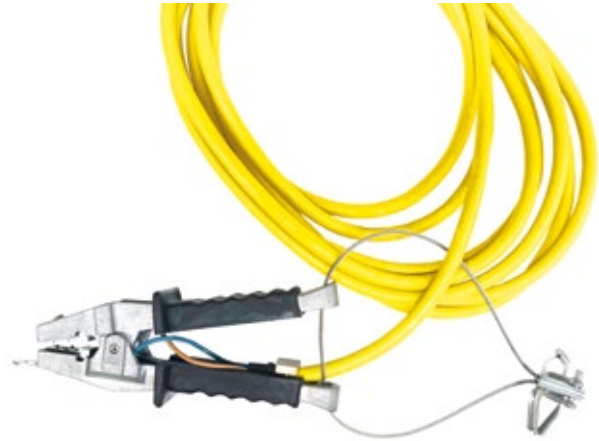
## ADVANTAGES

- Body and cover In low copper content aluminium alloy.
- Stainless steel cover bolts.
- Pintura epoxy RAL-7035.
- Internal/external earth screw.
- Fixing lugs.
- Connecting clamp complete with 9 meters of cable.
- Selector insertion, red "stop" light and green "go" light.
- Internal electronic earthing system.
- High quality electronic components.
- High resistance to corrosion and extreme weather.

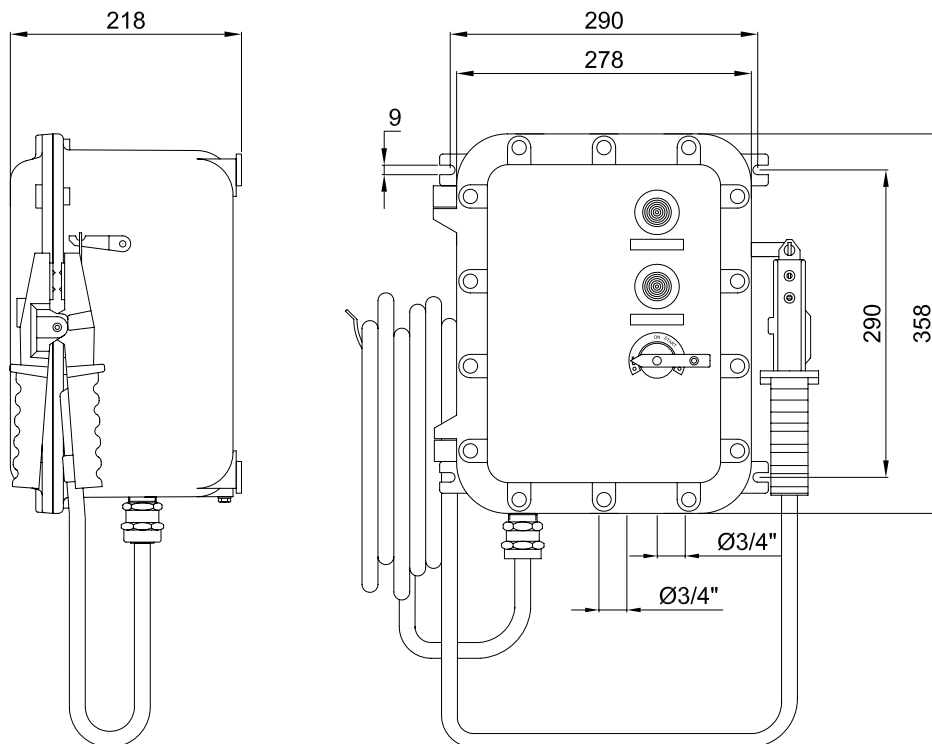
# ELECTRONIC EARTHING SYSTEM ATEX **GROUNDEX SERIES** IP66

## MARKING

- Certificates:
  - Atex directive 2014/9/UE
  - CE: CESI ATEX
- Protection mode
- II2 (I) GD:
  - Ex d [ia] ia IIB+H2 T6 Gb
- II2(I)D:
  - Ex tb [ia Da] IIIC T85°C Db



## PLAN AND DIMENSIONS



## REFERENCES

ELECTRONIC EARTHING SYSTEM ATEX - GROUNDEX SERIES			
REFERENCES	POWER SUPPLY	FREQUENCY	WEIGHT (Kg)
SPT352921A	230V	50 / 60 Hz	20
SPT352921B	110V	50 / 60 Hz	20
SPT352921E	24V	50 / 60 Hz	20

## SOLUTIONS FOR HAZARDOUS AREA



With over 50 years of experience in design, manufacture and supply of electrical high quality Atex & IECEX solutions

Atex Delvalle adapts to our clients' needs by offering Hazardous Area enclosures and boxes on demand. They are adapted to your specific requirements of installation and assembly, up to the last detail.

Atex Delvalle designs and manufactures a range of Hazardous Area enclosures; junction and terminal boxes, pressurized, flameproof Ex d and increased Safety Ex e Atex & IECEX compliant enclosures.



ATEX CABLE GLANDS



MOTOR STARTER & LOAD DISCONNECT SWITCHES



ATEX TERMINAL & JUNCTION BOXES



ATEX LIGHTING FIXTURE

## HMI INDUSTRIAL PANELS WORKSTATIONS



### FLAMEPROOF ENCLOSURES & PULLING BOXES



### CONTROL STATIONS & DISTRIBUTION BOXES

Atex control boxes (Contrex Series), they are specially designed to perform checks, maneuvers and as actuators in explosive atmospheres. They have a rugged, corrosion system and finished in stainless steel or GRP polyester. It allows you to perform maneuvers and controls at the machine in hazardous areas and take programming and automation in a safe area. Offering customers a great combination of possibilities and flexibility. Select the component that best suits your operator panels, keypads, mushrooms, switches, ammeters... and you assemble all with Atex certified, Ex & IECEx and UL.



### ENCLOSURES FOR CORROSION ENVIRONMENTS

### PRESSURIZED PANELS & ATEX PURGE





## **HAZARDOUS AREA SOLUTIONS ATEX E IECEx**



Paso del Prao, 6. 01320 Oyón (Álava). Spain  
Telf. +34 945 601 381  
atex@atexdelvalle.com | [www.atexdelvalle.com](http://www.atexdelvalle.com)

**Contact us, we will be available at any time**