

· WE ARE ·
MANUFACTURERS
CERTIFIED



EX JUNCTION BOXES IP67

Zones 1, 2, 21 and 22



EX JUNCTION BOXES IP67	4
ATEX JUNCTION BOX - GEOEX SERIES IP67	6
EX TERMINAL & JUNCTION BOX - TERBOX SERIES IP67	9



Paso del Prao, 6, 01320 Oyón (Álava), Spain
Telf. +34 945 601 381
atex@atexdelvalle.com | www.atexdelvalle.com

Delvalle, wide experience in manufacturing solutions for hazardous area



WE PUT AT YOUR DISPOSAL

We offer over **45 years** providing hazardous area **solutions** to demanding customers who require very specific characteristics and behaviour according to the sector and their needs.

WHEREVER YOU GO

We are committed to working closely with our customers, providing them with exceptional service and offering an advanced and **extensive range of hazardous area products** with very competitive prices.

CONSULTING & ENGINEERING

Atex Delvalle adapts to our clients' needs by offering hazardous-area systems. Atex-delvalle are the leading certified assembler of Ex junction boxes, our **customized services**, **experienced design** and drafting 3D support.

HIGH STANDARD OF QUALITY AND SERVICES

We only use materials provided by companies who offer the very highest quality, suitable and certified products. Our success is due to **top quality** assurance: ISO 9001, SGS, UL, TÜV, ISO 14000, Ohsas 1800, Atex, IECEx.

 **100%**
Entirely designed
and manufactured
in Europe



CONTACT US

Confidentiality, reliability & quality

www.atexdelvalle.com
atex@atexdelvalle.com
+34 945 601 381

ALSO ONLINE



Please contact our technical sales department.

A team of professionals with high experience and ability to solve all your queries.



EX JUNCTION BOXES IP67

We manufacturer custom made heavy duty Ex waterproof electrical enclosures IP67 by standard IEC 60529

The first digit indicates the level of protection that the enclosure provides against access to hazardous parts (e.g., electrical conductors, moving parts) and the ingress of solid foreign objects. The second digit indicates the level of protection that the enclosure provides against harmful ingress of water.

SOLID PARTICLE PROTECTION		LIQUID INGRESS PROTECTION	
IP	DESCRIPTION	IP	DESCRIPTION
0	No protection against contact and ingress of objects	0	No protection against water
1	Any large surface of the body, such as the back of a hand, but no protection against deliberate contact with a body part	1	Dripping water (vertically falling drops) shall have no harmful effect on the specimen when mounted in an upright position onto a turntable and rotated at 1 RPM
2	Protected against solid objects over 12.5mm e.g. hands, large tools	2	Vertically dripping water shall have no harmful effect when the enclosure is tilted at an angle of 15° from its normal position. A total of four positions are tested within two axes
3	Protected against solid objects over 2.5mm e.g. wire, small tool	3	Water falling as a spray at any angle up to 60° from the vertical shall have no harmful effect, utilizing either: a) an oscillating fixture, or b) A spray nozzle with a counterbalanced shield. Test a) is conducted for 5 minutes, then repeated with the specimen rotated horizontally by 90° for the second 5-minute test. Test b) is conducted (with shield in place) for 5 minutes minimum
4	Protected against solid objects over 1.0mm e.g. wires	4	Water splashing against the enclosure from any direction shall have no harmful effect, utilizing either: a) an oscillating fixture, or b) A spray nozzle with no shield. Test a) is conducted for 10 minutes. Test b) is conducted (without shield) for 5 minutes minimum
5	Ingress of dust is not entirely prevented, but it must not enter in sufficient quantity to interfere with the satisfactory operation of the equipment	5	Water projected by a nozzle (6.3 mm) against enclosure from any direction shall have no harmful effects
6	No ingress of dust; complete protection against contact (dust tight). A vacuum must be applied. Test duration of up to 8 hours based on air flow	6	Water projected in powerful jets (12.5 mm nozzle) against the enclosure from any direction shall have no harmful effects
		7	Ingress of water in harmful quantity shall not be possible when the enclosure is immersed in water under defined conditions of pressure and time (up to 1 m of submersion)
		8	The protection allows this equipment to be immersion in to 1 meters of water without ingress during 7 days
		9K	Powerful high temperature water jets (80°C)

IP67 certified allows this enclosure be immersion in to 1 meter depth of water without ingress during 30 minutes, can be used indoors or outdoor applications



Atex Delvalle adapts to our clients' needs by offering Hazardous Area enclosures and boxes on demand. They are adapted to your specific requirements of installation and assembly, up to the last detail.

Atex Delvalle designs and manufactures a range of Hazardous Area enclosures; junction and terminal boxes, pressurized, flameproof Ex d and increased Safety Ex e Atex & IECEx compliant enclosures.

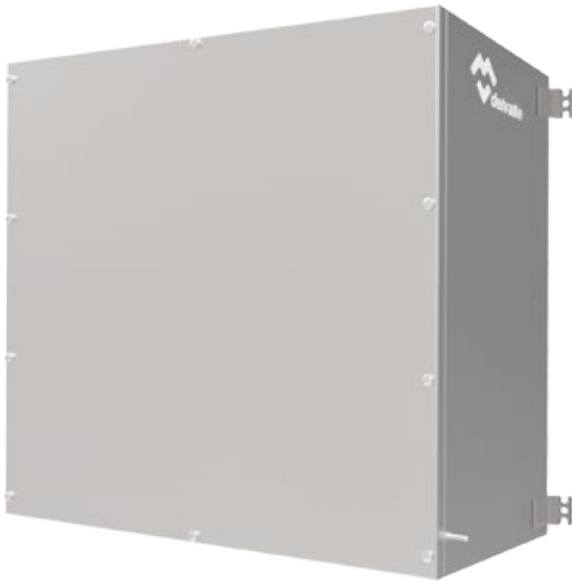




Zones 1, 2, 21 and 22

ATEX JUNCTION BOX

GEOEX SERIES IP67



Example

Anticorrosion Protection Guaranteed

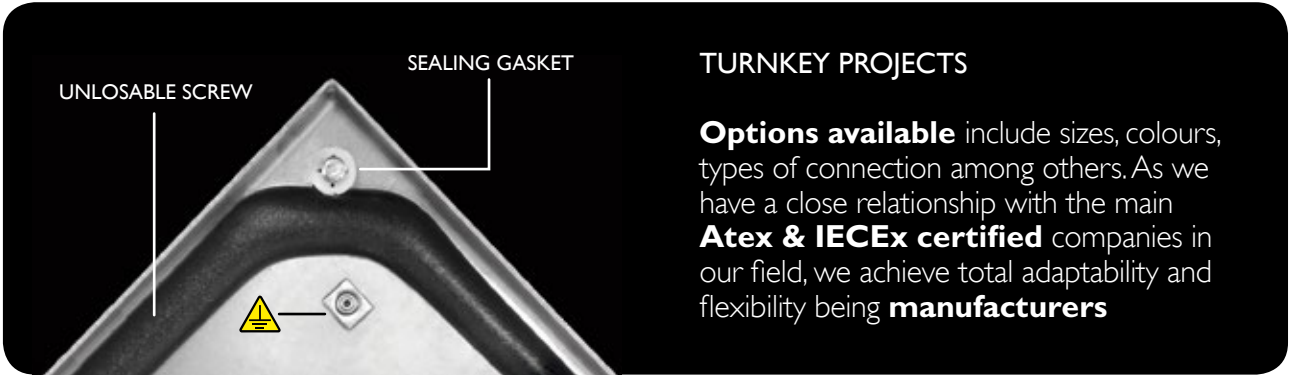
The increased-safety Geoex Series IP67 junction box is made in either AISI 304L or 316L stainless steel.

Certified to be used in zones 1, 2, 21 and 22, it is greatly valued for its high security and resistance even in the harshest environments. We can make it to any dimension required by our customers, up to a maximum size of 1000 x 1000 x 1000 mm.

➔ [FOR MORE INFORMATION CLICK HERE](#)

TECHNICAL FEATURES

- For use it in zones 1, 2, 21 and 22 and to place Ex components terminals.
- IP67 certified allows this enclosure be immersion in to 1 meter depth of water without ingress during 30 minutes, can be used indoors or outdoor applications.
- Made of stainless steel AISI 304L or AISI 316L and with a polished glossy surface finish.
- Spacious interior that simplifies connection operations.
- Guaranteed anticorrosion protection.
- Safe and resistant in hard and aggressive environments.
- Monobloc shape giving perfect sealing and impact resistance.
- Pre-assembled body and door.
- Mass inserted allowing with external connection.
- Quarter-turn double-bit locks and stainless steel hinges.
- Option: double access (both front and rear doors).
- Option hinges.
- Possible accessories: eyebolts, baseboards, perforated plates, cable gland caps, DIN rails,...



TURNKEY PROJECTS

Options available include sizes, colours, types of connection among others. As we have a close relationship with the main **Atex & IECEx certified** companies in our field, we achieve total adaptability and flexibility being **manufacturers**

OPTIONS

- Available in IP66 or IP68.
- Option: double access (both front and rear doors).
- Wall mounting brackets.
- Option painted galvanized steel finish.

PROTECTION MODE

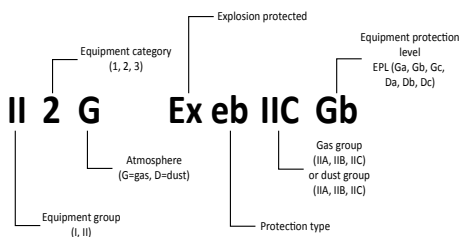
- II2G Ex eb IIC Gb and II2D Ex tb IIIC Db IP67 according to directive 94/9/CE and standard EN 60079-0, EN 60079-7, EN 60079-31
 - II2G Ex eb IIC Gb
 - II2D Ex tb IIIC Db
- Certificate empty box terminal:
 - LOM 14ATEX3028U

NORMATIVE

Atex & IECEx directive and normative:

- Atex 2014/34/EU directive
- IP67 protection according to EN 60529.
- IP (W) 67 corrosive environments.
- IEC 62208 and EN 62262. Degree of resistance against impact IK10.
- Certificate UL Nema 4x, 12, 3r and I (on request). N° File E342220.
- Polyurethane gasket: $-25^{\circ}\text{C} < \text{Ta} < 60^{\circ}\text{C}$.
- Silicone sponge gasket: $-45^{\circ}\text{C} < \text{Ta} < 135^{\circ}\text{C}$.
- Silicone foam gasket: $-45^{\circ}\text{C} < \text{Ta} < 155^{\circ}\text{C}$.

CE CERTIFICATE





☎ +34 945 601 381
Paso el Prao 6
Oyón, 01320 (Spain)
atex@atexdelvalle.com

Type: GEO202012EX **Serial nr: PV2021-00013-1A**

163 Ex **Year: 2021**

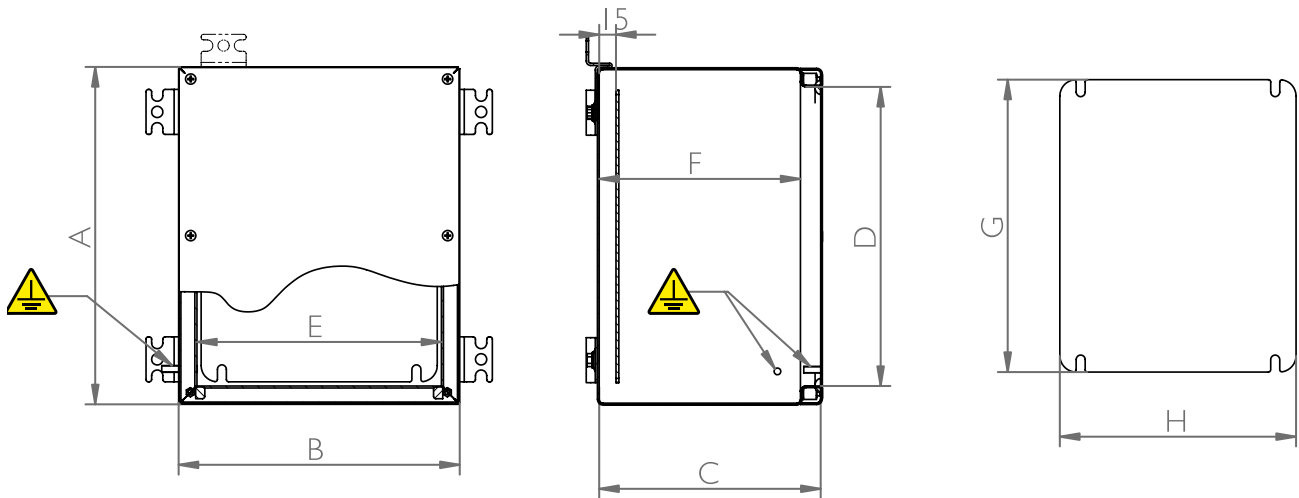
II 2G Ex eb IIC Gb **-25°C < Ta < +60°C**

II 2D Ex tb IIIC Db **LOM 14 ATEX 3028 U**

www.atexdelvalle.com

ATEX JUNCTION BOX **GEOEX SERIES** IP67

PLAN



10
YEARS

STAINLESS
ANTICORROSIVE
GUARANTEE

MADE
TO MEASURE

5
YEARS

MECHANICAL PARTS
GUARANTEE

REFERENCES

GEOEX IP67 ATEX JUNCTION BOX DIMENSIONS (mm)

REFERENCES	HEIGHT -A-	WIDTH -B-	DEPTH -C-	HIGH INTERIOR USEFUL -D-	INTERNAL WIDTH USEFUL -E-	INTERNAL FUND USEFUL -F-	LATERAL AREA MACHINABILITY		PANEL MEASURES -GxH-	WEIGHT (Kg)	VOLUME (m ³)
							DOOR	SIDE			
GEO909080EX67	90	90	80	39,6	39,6	61,4	26x26	60x33,8	34x34	0,71	0,001
GEO209080EX67	200	90	80	149,6	39,6	61,4	136x26	170x33,8	144x34	1,32	0,003
GEO101615EX67	100	160	150	49,6	109,6	131,4	36x96	70x103,8	44x104	1,55	0,004
GEO202015EX67	200	200	150	149,6	149,6	131,4	136x136	170x103,8	144x144	2,78	0,009
GEO202520EX67	200	250	200	149,6	199,6	181,4	136x186	170x153,8	144x194	3,7	0,015
GEO303020EX67	300	300	200	249,6	249,6	181,4	236x236	270x153,8	244x244	5,77	0,025
GEO304030EX67	300	400	300	249,6	349,6	281,4	236x336	270x253,8	244x344	8,51	0,047
GEO404030EX67	400	400	300	349,6	349,6	281,4	336x336	370x253,8	344x344	10,47	0,061
GEO606040EX67	600	600	400	549,6	549,6	381,4	536x536	570x353,8	544x544	22,05	0,171
GEO808040EX67	800	800	400	749,6	749,6	381,4	673x673	770x353,8	744x744	36,39	0,296
GEO101050EX67	1000	1000	500	949,6	949,6	481,4	873x873	970x453,8	944x944	64,16	0,562
GEO101070EX67	1000	1000	700	949,6	949,6	681,4	873x873	970x653,8	944x945	76	0,774
GEO101080EX67	1000	1000	800	949,6	949,6	781,4	873x873	970x753,8	944x946	80	0,880
GEO101010EX67	1000	1000	1000	946,6	949,6	981,4	873x873	970x953,8	944x947	90	1,093

Version: Norm UL

Add "UL" to reference. Ex: "GEO101010EXUL"

Separation depth plate 20mm

**Zones 1, 2, 21 and 22**

EX TERMINAL & JUNCTION BOX

TERBOX SERIES IP67



Examples



Gives Cost and Time Savings

Terbox-Geoex IP67 Series of terminal boxes are made of stainless steel; based on the design and specifications of our Geoex boxes (which are Ex-certified as final product). Terbox can be used in projects requiring the assembly and certification of junction boxes with terminal, cable glands and push-buttons, giving cost and time savings.

Terminal boxes are used for dividing and connecting wires for various electrical apparatus and instruments in the circuits. Installation is certified for zones 1, 2, 21 and 22.

[FOR MORE INFORMATION CLICK HERE](#)

TECHNICAL FEATURES

- For use in zones 1, 2, 21 and 22 and to place Ex component terminals.
- IP67 certified allows this enclosure be immersion in to 1 meter depth of water without ingress during 30 minutes, can be used indoors or outdoor applications.
- Easy opening thanks to a screwed cover.
- Strict IEC 60079-7 tests passed.
- Sea water resistant.
- External M6 ground connection.
- Wide range of ambient temperatures.
- Thickness 1.5 mm (depending on boxes).

NORMATIVE

Atex & IECEx directive and normative:

- Atex 2014/34/EU directive
- IP67 according to IEC Standard EN 62208 and EN 60529.
- IP (W) 67 corrosive environments.
- IEC 62208 and EN 62262. Degree of resistance against impact IK10.
- UNE-EN 60079-0:2011
- UNE-EN 60079-7:2007
- UNE-EN 60079-31:2014
- Operating temperature (ambience): -25° a ≤60°C.

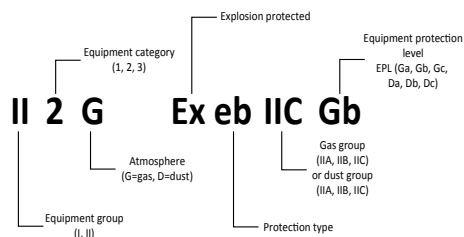
OPTIONS

- Available in IP66 or IP68.
- Made of stainless steel AISI 304L or AISI 316L.
- Optional cable entry cover.
- Optional hinges.
- Different mounting options.

PROTECTION MODE

- According to directive EN 60079-0 for empty enclosures:
 - II2G Ex eb IIC Gb
 - II2D Ex tb IIIC Db
- According to directive EN 60079-0 for terminal boxes:
 - II2G Ex eb IIC Gb
 - II2D Ex tb IIIC Db
- Certificate empty box terminal:
 - LOM I4ATEX3028U
- Certificate Terbox:
 - LOM I4ATEX2082
- Certificate quality:
 - LOM I4ATEX9050
- Maximum IK10 norm IEC 62262.
- Voltage range: max. 1100V and current and voltage range: max. 350 A (depending on the types of terminal and Ex components used).

CE CERTIFICATE



		+34 945 601 381 Paso el Prao 6 Oyón, 01320 (Spain) atex@atexdelvalle.com www.atexdelvalle.com	
CE 163		II 2G Ex e IIC T6 Gb II 2D Ex tb IIIC T85°C Db	
LOM 14 ATEX 2082		Type: GEOTB202012EX	
U _N =	V	-25°C<Ta<+60°C	AISI304L
I _N =	A	S. Nº / Year PV1415-00570-1A / 2014	

DO NOT OPEN WHEN ENERGIZED

TERMINALS

Weidmüller 

Atex Delvalle mounts in Terbox Series, Weidmüller brand terminals.
We can also use other brands on request such as:



Delvalle offers users a wide range of accessories as ideal solutions for all possible tasks, even beyond the standard functions.

These accessories meet the same quality standards as the terminals themselves.



Visual separation
Endcaps



Signalling



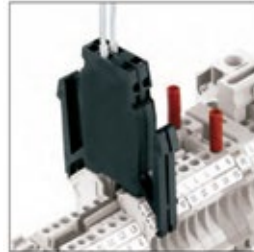
Fixation



Electrical power
supply



Electrical distribution



Testing



Specific functions,
color variations

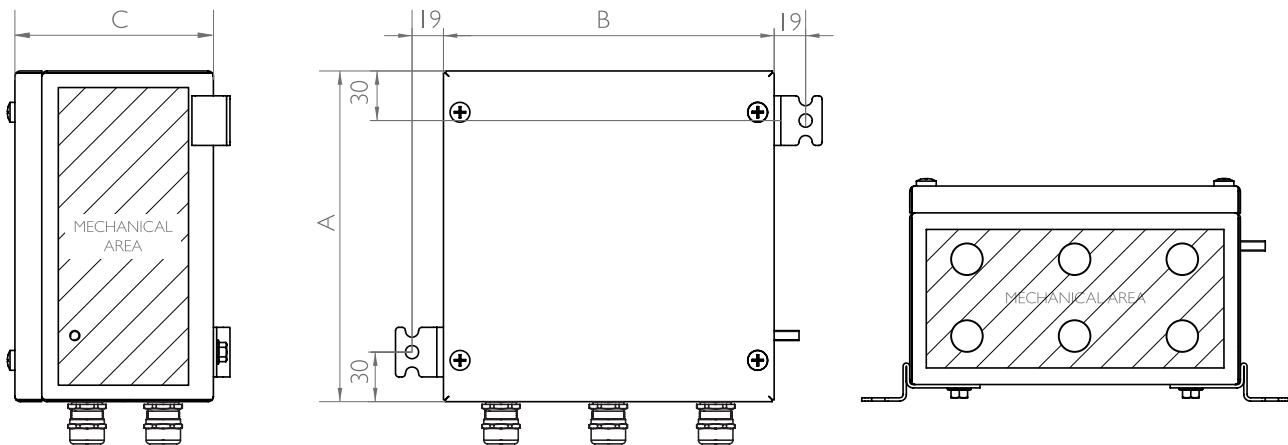


TURNKEY PROJECTS

Options available include sizes, colours, types of connection among others. As we have a close relationship with the main **Atex & IECEx certified** companies in our field, we achieve total adaptability and flexibility being **manufacturers**

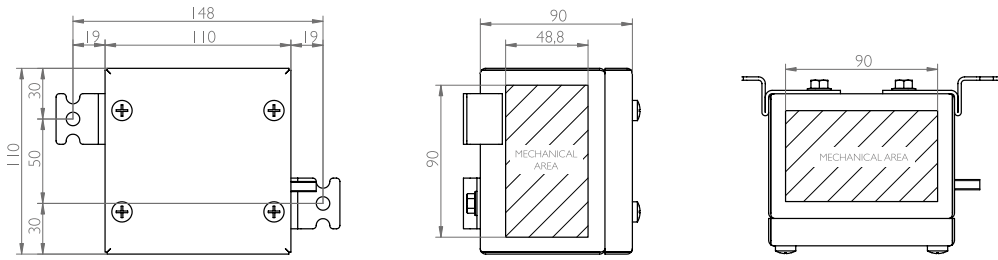


PLANS AND REFERENCES



REFERENCES	N° TERMINALS														
REFERENCES	N° RAILS	DIMENSIONS (mm)			6 A	10 A	16 A	24 A	32 A	50 A	80 A	110 A	130 A	150 A	230 A
		HEIGHT A	WIDTH B	DEPTH C	1,5 mm ²	2,5 mm ²	4 mm ²	6 mm ²	10 mm ²	16 mm ²	35 mm ²	70 mm ²	95 mm ²	120 mm ²	240 mm ²
GEOTB111190EX67	1	110	110	90	6	5	5	4	--	--	--	--	--	--	--
GEOTB161190EX67	1	160	110	90	15	13	10	8	--	--	--	--	--	--	--
GEOTB111690EX67	1	110	160	90	15	13	10	8	--	--	--	--	--	--	--
GEOTB261112EX67	1	260	110	120	30	25	20	18	13	--	--	--	--	--	--
GEOTB112612EX67	1	110	260	120	30	25	20	18	13	--	--	--	--	--	--
GEOTB202012EX67	2	200	200	120	60	50	45	40	30	15	8	--	--	--	--
GEOTB252515EX67	2	250	250	150	80	75	60	50	40	30	20	15	15	--	--
GEOTB302015EX67	2	300	200	150	100	90	70	55	50	35	25	15	15	--	--
GEOTB203015EX67	2	200	300	150	100	90	70	55	50	35	25	15	15	--	--
GEOTB303015EX67	3	300	300	150	110	100	80	65	60	41	35	25	25	--	--
GEOTB404017EX67	3	400	400	170	145	130	100	75	60	50	40	35	30	--	--
GEOTB505017EX67	3	500	500	170	170	150	100	75	60	50	40	35	35	30	30
GEOTB606017EX67	4	600	600	170	200	160	100	75	60	50	40	40	35	30	30

MEASURES 110X100X90



MAXIMUM NUMBER OF INPUTS PER SIDE							
THREAD SIZE	M12	M16	M20	M25	M32	M40	M50
BOTTOM AND TOP	14	8	6	5	3	1	1
SIDES	14	8	6	5	3	1	1

REFERENCES	MAXIMUM NUMBER TERMINALS			
REFERENCES	SECTION mm ²	CURRENT MAX. (A)	VOLTAGE MAX. (V)	N° RAILS
ZDU 1.5	1.5	15	550	6
ZDU 2.5	2.5	21	550	5
ZDU 4	4	28	550	5
ZDU 6	6	36	550	4

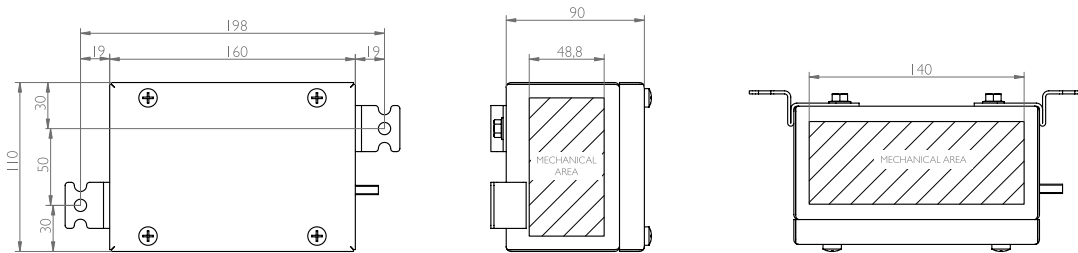


STAINLESS ANTICORROSIVE GUARANTEE



MECHANICAL PARTS GUARANTEE

MEASURES 110X160X90

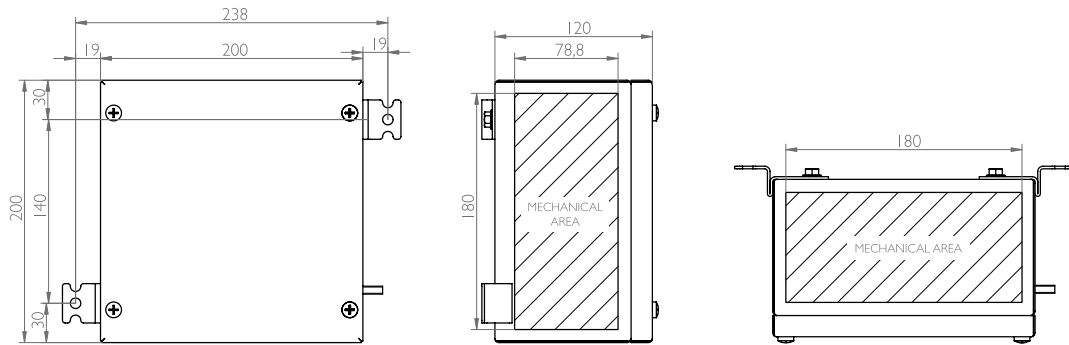


MAXIMUM NUMBER OF INPUTS PER SIDE							
THREAD SIZE	M12	M16	M20	M25	M32	M40	M50
BOTTOM AND TOP	14	8	6	5	3	1	1
SIDES	23	15	10	7	5	3	2

REFERENCES	MAXIMUM NUMBER TERMINALS			
REFERENCES	SECTION mm ²	CURRENT MAX. (A)	VOLTAGE MAX. (V)	N° RAILS
ZDU 1.5	1.5	15	550	15
ZDU 2.5	2.5	20	550	13
ZDU 4	4	28	550	10
ZDU 6	6	36	550	8

EX TERMINAL & JUNCTION BOX **TERBOX SERIES** IP67

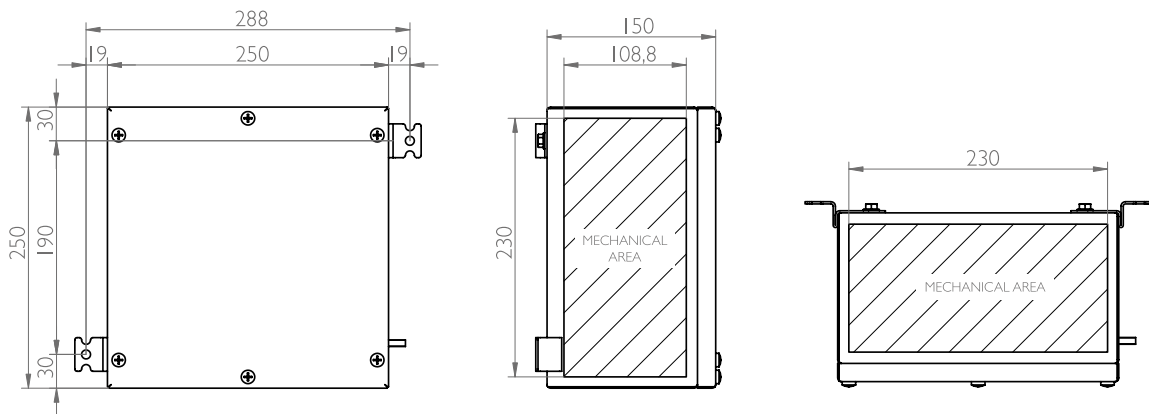
MEASURES 200X200X120



MAXIMUM NUMBER OF INPUTS PER SIDE									
THREAD SIZE	M12	M16	M20	M25	M32	M40	M50	M63	M75
BOTTOM AND TOP	48	30	20	14	8	5	3	2	1
SIDES	29	20	13	9	5	3	2	-	-

REFERENCES	MAXIMUM NUMBER TERMINALS			
	SECTION mm ²	CURRENT MAX. (A)	VOLTAGE MAX. (V)	N° RAILS
ZDU 1.5	1.5	15	550	60
ZDU 2.5	2.5	20	550	50
ZDU 4	4	28	550	45
ZDU 6	6	36	550	40
ZDU 10	10	50	550	30
ZDU 16	16	63	550	15
WDU 35	35	109	690	8

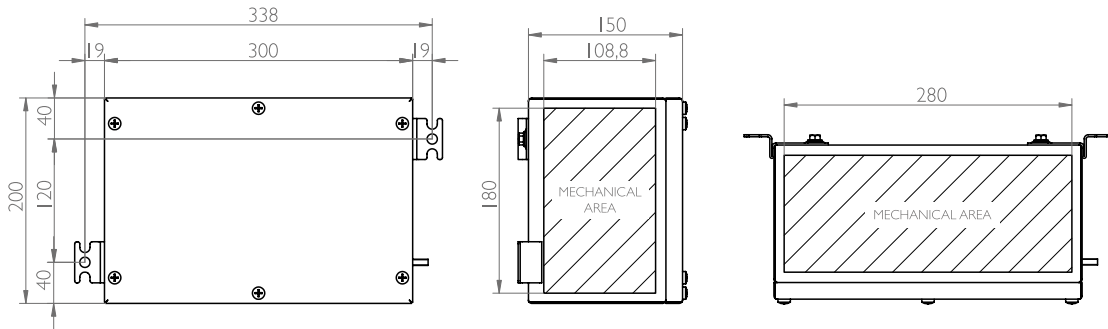
MEASURES 250X250X150



MAXIMUM NUMBER OF INPUTS PER SIDE									
THREAD SIZE	M12	M16	M20	M25	M32	M40	M50	M63	M75
BOTTOM AND TOP	75	48	34	26	14	8	5	3	2
SIDES	50	29	26	20	9	5	3	2	2

REFERENCES	MAXIMUM NUMBER TERMINALS			
	SECTION mm ²	CURRENT MAX. (A)	VOLTAGE MAX. (V)	N° RAILS
ZDU 1.5	1.5	15	550	80
ZDU 2.5	2.5	20	550	75
ZDU 4	4	28	550	60
ZDU 6	6	36	550	50
ZDU 10	10	50	550	40
ZDU 16	16	63	550	30
WDU 35	35	109	690	20
WDU 70	70	167	690	15
WDU 95	95	202	690	15

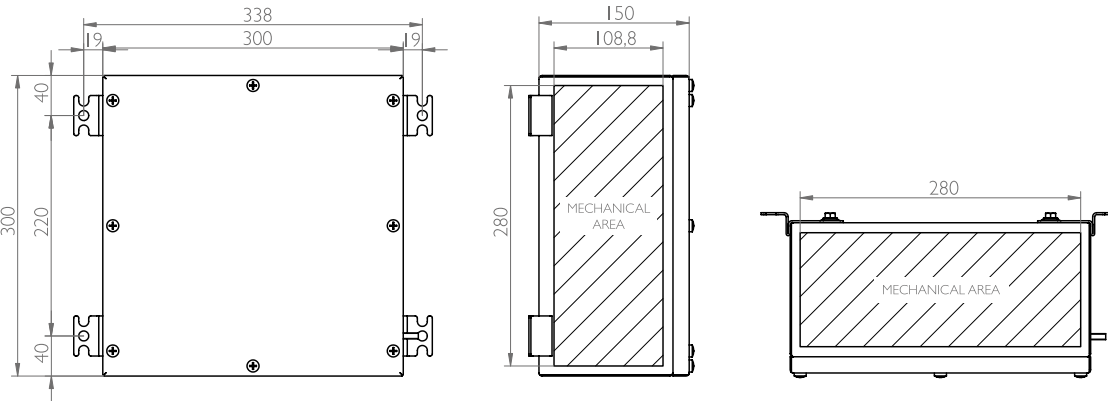
MEASURES 300X200X150



MAXIMUM NUMBER OF INPUTS PER SIDE									
THREAD SIZE	M12	M16	M20	M25	M32	M40	M50	M63	M75
BOTTOM AND TOP	93	63	42	30	17	11	7	3	3
SIDES	38	30	20	14	8	5	3	2	1

REFERENCES	MAXIMUM NUMBER TERMINALS			
REFERENCES	SECTION mm ²	CURRENT MAX. (A)	VOLTAGE MAX. (V)	N° RAILS
ZDU 1.5	1.5	15	550	100
ZDU 2.5	2.5	20	550	90
ZDU 4	4	28	550	70
ZDU 6	6	36	550	55
ZDU 10	10	50	550	50
ZDU 16	16	63	550	35
WDU 35	35	109	690	25
WDU 70	70	167	690	15
WDU 95	95	202	750	15

MEASURES 300X300X150

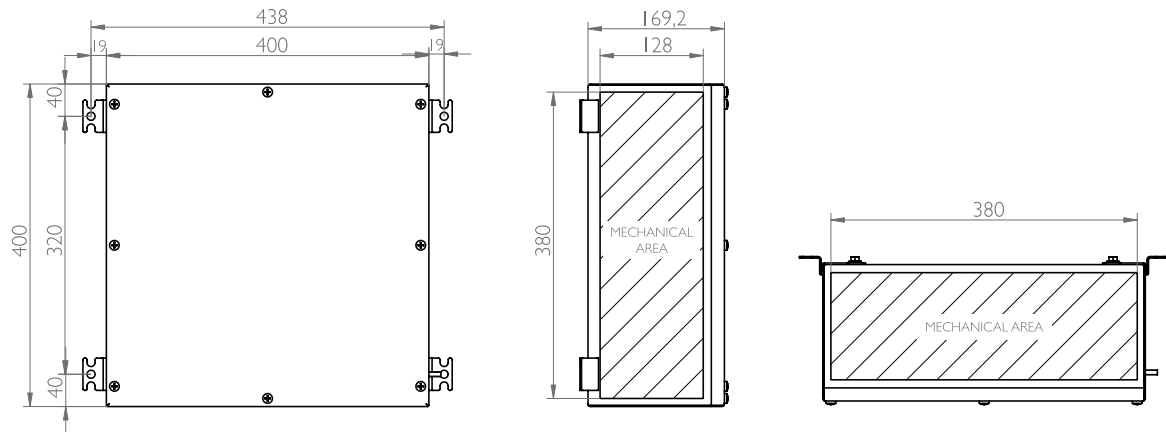


MAXIMUM NUMBER OF INPUTS PER SIDE									
THREAD SIZE	M12	M16	M20	M25	M32	M40	M50	M63	M75
BOTTOM AND TOP	87	63	43	30	18	11	7	3	2
SIDES	58	38	29	23	14	7	5	3	2

REFERENCES	MAXIMUM NUMBER TERMINALS			
REFERENCES	SECTION mm ²	CURRENT MAX. (A)	VOLTAGE MAX. (V)	N° RAILS
ZDU 1.5	1.5	15	550	110
ZDU 2.5	2.5	20	550	100
ZDU 4	4	28	550	80
ZDU 6	6	36	550	65
ZDU 10	10	50	550	60
ZDU 16	16	66	550	41
WDU 35	35	109	690	35
WDU 70	70	167	690	25
WDU 95	95	202	750	25

EX TERMINAL & JUNCTION BOX **TERBOX SERIES** IP67

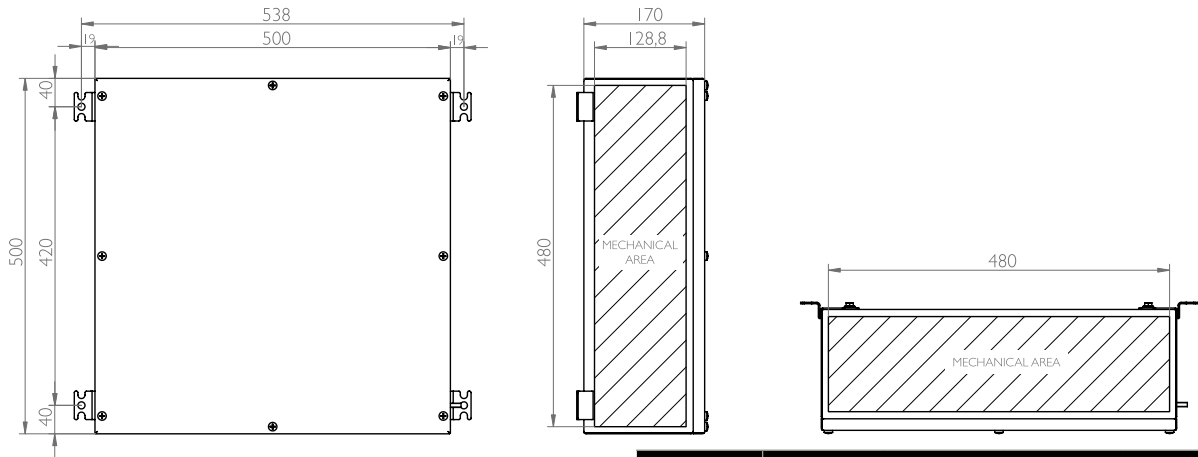
MEASURES 400X400X170



MAXIMUM NUMBER OF INPUTS PER SIDE									
THREAD SIZE	M12	M16	M20	M25	M32	M40	M50	M63	M75
BOTTOM AND TOP	87	63	43	30	18	11	7	3	2
SIDES	58	38	29	23	14	7	5	3	2

REFERENCES	MAXIMUM NUMBER TERMINALS			
	SECTION mm ²	CURRENT MAX. (A)	VOLTAGE MAX. (V)	N° RAILS
ZDU 1.5	1.5	15	550	110
ZDU 2.5	2.5	20	550	100
ZDU 4	4	28	550	80
ZDU 6	6	36	550	65
ZDU 10	10	50	550	60
ZDU 16	16	66	550	41
WDU 35	35	109	690	35
WDU 70	70	167	690	25
WDU 95	95	202	750	25

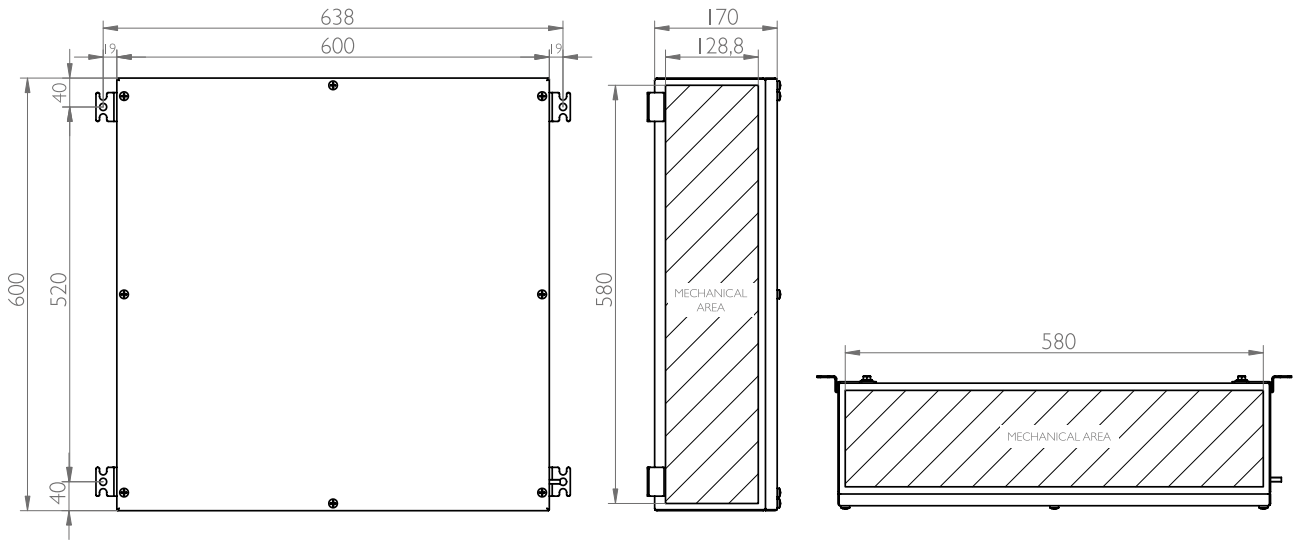
MEASURES 500X500X170



MAXIMUM NUMBER OF INPUTS PER SIDE									
THREAD SIZE	M12	M16	M20	M25	M32	M40	M50	M63	M75
BOTTOM AND TOP	137	109	87	50	38	23	13	7	4
SIDES	98	78	58	38	29	15	11	5	4

REFERENCES	MAXIMUM NUMBER TERMINALS			
	SECTION mm ²	CURRENT MAX. (A)	VOLTAGE MAX. (V)	N° RAILS
ZDU 1.5	1.5	15	550	170
ZDU 2.5	2.5	20	550	150
ZDU 4	4	28	550	100
ZDU 6	6	36	550	75
ZDU 10	10	50	550	60
ZDU 16	16	63	550	50
WDU 35	35	109	690	40
WDU 70	70	167	690	35
WDU 95	95	202	750	35
WDU 120	120	234	1100	30
WDU 240	240	350	1100	30

MEASURES 600X600X170



MAXIMUM NUMBER OF INPUTS PER SIDE									
THREAD SIZE	M12	M16	M20	M25	M32	M40	M50	M63	M75
BOTTOM AND TOP	137	109	87	50	38	23	13	7	4
SIDES	98	78	58	38	29	15	11	5	4

REFERENCES	MAXIMUM NUMBER TERMINALS			
REFERENCES	SECTION mm ²	CURRENT MAX. (A)	VOLTAGE MAX. (V)	N° RAILS
ZDU 1.5	1.5	15	550	200
ZDU 2.5	2.5	20	550	160
ZDU 4	4	28	550	100
ZDU 6	6	36	550	75
ZDU 10	10	50	550	60
ZDU 16	16	63	550	50
WDU 35	35	109	690	40
WDU 70	70	167	690	40
WDU 95	95	202	750	35
WDU 120	120	234	1100	30
WDU 240	240	350	1100	30



DOWNLOAD OUR CATALOGUES

WE DELIVER THE CABINET FULLY COMPLETED AND CERTIFIED

Also individual certifications



CABLE GLAND



PLUGS, ADAPTERS, ...

PERSONALIZE YOUR EX JUNCTION BOX IP67



ACTUATORS



TERMINALS





EX JUNCTION BOXES IP67

IP67 certified allows this enclosure be immersion in to 1 meter depth of water without ingress during 30 minutes, can be used indoors or outdoor applications



SOLUTIONS FOR HAZARDOUS AREA



With over 50 years of experience in design, manufacture and supply of electrical high quality Atex & IECEX solutions

Atex Delvalle adapts to our clients' needs by offering Hazardous Area enclosures and boxes on demand. They are adapted to your specific requirements of installation and assembly, up to the last detail.

Atex Delvalle designs and manufactures a range of Hazardous Area enclosures: junction and terminal boxes, pressurized, flameproof Ex d and increased Safety Ex e Atex & IECEX compliant enclosures.



ATEX CABLE GLANDS



MOTOR STARTER & LOAD DISCONNECT SWITCHES



ATEX TERMINAL & JUNCTION BOXES



ATEX LIGHTING FIXTURE

HMI INDUSTRIAL PANELS WORKSTATIONS



FLAMEPROOF ENCLOSURES & PULLING BOXES



CONTROL STATIONS & DISTRIBUTION BOXES

Atex control boxes (Contrex Series), they are specially designed to perform checks, maneuvers and as actuators in explosive atmospheres. They have a rugged, corrosion system and finished in stainless steel or GRP polyester. It allows you to perform maneuvers and controls at the machine in hazardous areas and take programming and automation in a safe area. Offering customers a great combination of possibilities and flexibility. Select the component that best suits your operator panels, keypads, mushrooms, switches, ammeters... and you assemble all with Atex certified, Ex & IECEx and UL.



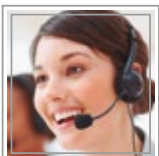
ENCLOSURES FOR CORROSION ENVIRONMENTS

PRESSURIZED PANELS & ATEX PURGE





HAZARDOUS AREA SOLUTIONS ATEX E IECEx



Paso del Prao, 6. 01320 Oyón (Álava). Spain
Telf. +34 945 601 381
atex@atexdelvalle.com | www.atexdelvalle.com

Contact us, we will be available at any time