

LARGE INTERIOR SPACE SIMPLIFYING CONNECTION WORK

PEPPEX SERIES

PRESURIZED ENCLOSURES ATEX EX P - PX - PY - PZ

Zones 1, 2, 21 and 22





Delvalle, wide experience in manufacturing solutions for hazardous area



WE PUT AT YOUR DISPOSAL

We offer over **45 years** providing hazardous area **solutions** to demanding customers who require very specific characteristics and behaviour according to the sector and their needs.

WHEREVER YOU GO

We are committed to working closely with our customers, providing them with exceptional service and offering an advanced and **extensive range of hazardous area products** with very competitive prices.

CONSULTING & ENGINEERING

Atex Delvalle adapts to our clients' needs by offering hazardous-area systems. Atex-delvalle are the leading certified assembler of Ex junction boxes, our **customized services**, **experienced design** and drafting 3D support.

HIGH STANDARD OF QUALITY AND SERVICES

We only use materials provided by companies who offer the very highest quality, suitable and certified products. Our success is due to **top quality** assurance: ISO 9001, SGS, UL, TÜV, ISO 14000, Ohsas 1800, Atex, IECEx.



CONTACT US

Confidentiality, reliability & quality

www.atexdelvalle.com
atex@atexdelvalle.com
 +34 945 601 381

ALSO ONLINE



Please contact our technical sales department.

A team of professionals with high experience and ability to solve all your queries.





Zones 1, 2, 21 and 22

PRESSURIZED EX P CABINETS **PEPPEX SERIES**

**Guaranteed Fully
Rust Proof**



Examples



➔ [FOR MORE INFORMATION CLICK HERE](#)

Delvalle recommends pressurization of enclosures which cannot be protected by any other means, either because they are too large (which prevents them from being flameproof) or because they require too high a power to benefit from the enclosure's intrinsic safety.

This new range of enclosures more than meets the strictest tests that we could put them to: impact, over-pressure, corrosion, thermal impact, temperature rises, resistance to UV light, resistance to cold, heat and humidity.

We manufacture these pressurized enclosures to American Standards.



10
YEARS
GUARANTEE
ANTI CORROSION



5
YEARS
GUARANTEE
MECHANICAL
PARTS



2
YEARS
GUARANTEE
PRESSURIZATION
EQUIPMENT

APPLICATIONS

- Monitors systems
- Control systems
- HMI
- Transformers
- VDF's
- Starter engine
- Control consoles

PRESSURIZED EX P CABINETS **PEPPEX SERIES**

FEATURES

- Made of stainless steel AISI 304L or AISI 316L with a polished glossy surface finish.
- For use in zones 1, 2, 21 and 22 and to place Ex component terminals.
- Spacious interior that simplifies the connection operations.
- Guaranteed corrosion protection.
- Safe and resistant in hard and aggressive environments.
- Options: baseboards.
- Monobloc shape giving perfect sealing and impact resistance.
- “Ex p” safety degree: “Ex pxa”, “Ex pyb” and “Ex pzc”.
- Mass inserted allowing external bolt connection.
- Quarter-turn double-bit locks and stainless steel hinges.

ADVANTAGES

- Variety of measurements.
- Supports non-Atex components inside.
- 2 years guarantee overall system pressurization.
- 10 years corrosion guarantee.
- 5 years guarantee mechanical parts.

OPTIONS

- Alarm system, pressure gauge, warning lights, mounting kits, cable glands Atex, light and button panels.
- Window, plinth, eyebolts, opening,...
- Multi cable transit frames (Roxtec), one or several doors.
- Screw cover, baseboards, galvanized.
- Large capacity standers and wall cabinets.
- Temperature control system.



PRESSURIZED EX P CABINETS **PEPPEX SERIES**

Large capacity
pressured cabinet.
One door.

Large capacity pressured
cabinet with roof. One door.

Large capacity pressured
cabinet. One door.

Large capacity
pressured cabinet.
Two doors.



Wall pressured cabinet.
Two doors.

Large capacity pressured
cabinet. Two doors. Open
baseboard.

Wall pressured
cabinet. One door.

NORMS AND CERTIFICATES

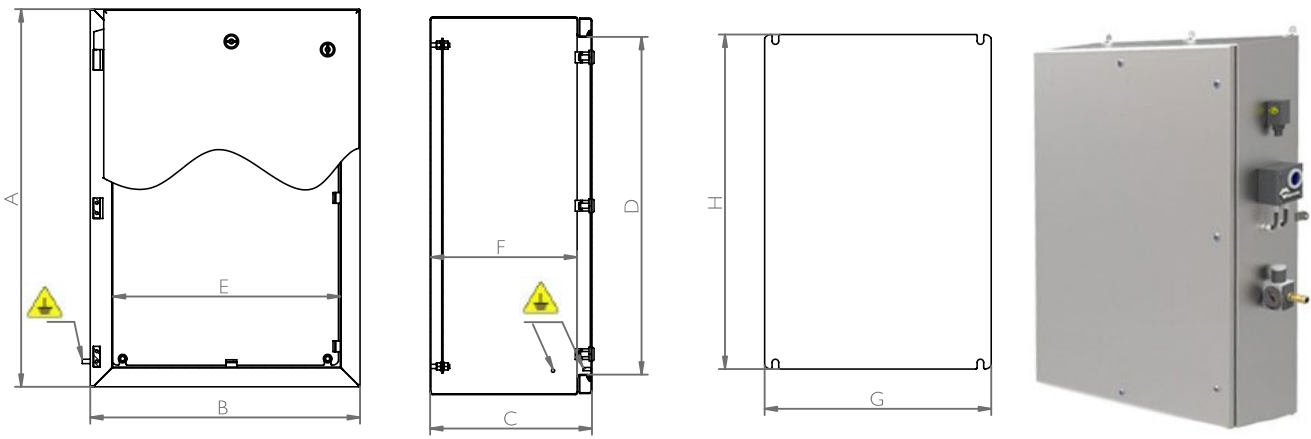
- Atex 94/9/EC
- IEC 80079
- EN 60079-0
- EN 60079-2
- EN 61241-4
- NFPA 496
- EN 50 016
- American standards:
 - UL nema 4x
 - UL & FM certified: Cl. I, Div. 2,
 - Group A-D. From zone 2 to safe zone.
- UL & FM certified: Cl. I, Div. 1, Group
- A-D. From zone 1 to zone 2
- Empty cabinet:
 - LOM I4Atex3027U
 - LOM I4Atex3026U
- Atex standards:
 - Ex pzc IICT6 Gc
 - Ex pyb IICT6 Gb *
 - Ex pxa IICT6 Gb *
 - Ex pD IICT6 Da IP6X *
 - Ex pD IICT6 Dc IP6X
 - Ex pD IICT6 Db IP6X *

PRESSURIZED EX P CABINETS **PEPPEX SERIES**

WALL ENCLOSURE | ONE DOOR

PLAN

MADE TO MEASURE



REFERENCES

PEPPEX WALL ENCLOSURE | ONE DOOR

REFERENCES	HEIGHT (A)	WIDTH (B)	DEPTH (C)	INSIDE HEIGHT -D-	INSIDE WIDTH -E-	INSIDE DEPTH -F-	MACHINABLE SIZE AREA		PLATE DIM. -GxH-
							DOOR	SIDE	
PEPPEX504020EX	500	400	200	426	321	171	313x234.5	470x144	420x320
PEPPEX605025EX	600	500	250	526	421	221	413x334.5	570x194	520x420
PEPPEX606030EX	600	600	300	526	521	271	413x434.5	570x244	520x520
PEPPEX705030EX	700	500	300	626	421	271	513x334.5	670x244	620x420
PEPPEX8040(x)EX	800	400	300 a 800	726	321	271 a 771	613x234.5	770x244 to 944	720x320
PEPPEX8060(x)EX	800	600	300 a 800	726	521	271 a 771	613x434.5	770x244 to 944	720x520
PEPPEX8080(x)EX	800	800	300 a 800	726	721	271 a 971	613x634.5	770x244 to 944	720x720
PEPPEX8010(x)EX	800	1000	300 a 800	726	921	271 a 971	613x834.5	770x244 to 944	720x920
PEPPEX1040(x)EX	1000	400	300 a 800	926	321	271 a 971	813x234.5	970x244 to 944	920x320
PEPPEX1060(x)EX	1000	600	300 a 800	926	521	271 a 971	813x434.5	970x244 to 944	920x520
PEPPEX1080(x)EX	1000	800	300 a 800	926	721	271 a 971	813x634.5	970x244 to 944	920x720
PEPPEX1010(x)EX	1000	1000	300 a 800	926	921	271 a 971	813x834.5	970x244 to 944	920x920
Option: Stainless steel 316L				Add "_6" to reference.					
Option: Galvanized steel Ral 7035				Add "G" to reference.					
Version: Normative UL				Add "UL" to reference.					

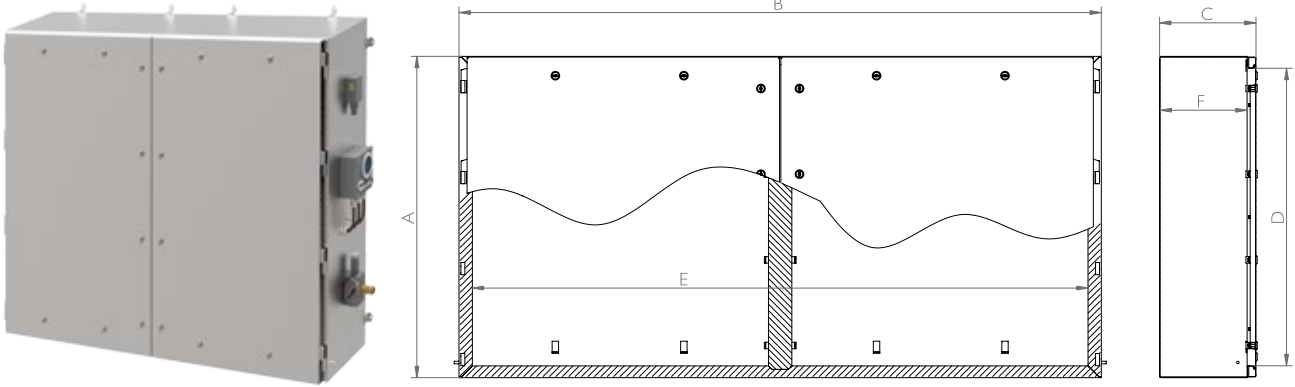
(x) = 20, 40-50-60-70-80-90-10 for a depth 200, 400, 500, 600, 700, 800, 900 or 1000mm.
We can manufacture up to 4mm thickness.

PRESSURIZED EX P CABINETS **PEPPEX SERIES**

WALL ENCLOSURE | TWO DOORS

PLAN

MADE TO MEASURE



REFERENCES

PEPPEX WALL ENCLOSURE TWO DOORS									
REFERENCES	HEIGHT (A)	WIDTH (B)	DEPTH (C)	INSIDE HEIGHT -D-	INSIDE WIDTH -E-	INSIDE DEPTH -F-	MACHINABLE SIZE AREA		PLATE DIM. -GxH-
							DOOR	SIDE	
PEPPEX508020D	500	800	200	426	426	171	313x234.5	470x144	420x360
PEPPEX601025D	600	1000	250	526	526	221	413x334.5	570x194	520x460
PEPPEX601230D	600	1200	300	526	526	271	413x434.5	570x244	520x560
PEPPEX701230D	700	1000	300	626	626	271	513x334.5	670x244	620x460
PEPPEX8080(x)D	800	800	300 a 800	726	726	271 a 771	613x234.5	770x244 to 944	720x360
PEPPEX8012(x)D	800	1200	300 a 800	726	726	271 a 771	613x434.5	770x244 to 944	720x560
PEPPEX8016(x)D	800	1600	300 a 1000	726	726	271 a 971	613x634.5	770x244 to 944	720x760
PEPPEX8020(x)D	800	2000	300 a 1000	726	726	271 a 971	613x834.5	770x244 to 944	720x960
PEPPEX1080(x)D	1000	800	300 a 1000	926	926	271 a 971	813x234.5	970x244 to 944	920x360
PEPPEX1012(x)D	1000	1200	300 a 1000	926	926	271 a 971	813x434.5	970x244 to 944	920x560
PEPPEX1016(x)D	1000	1600	300 a 1000	926	926	271 a 971	813x634.5	970x244 to 944	920x760
PEPPEX1020(x)D	1000	2000	300 a 1000	926	926	271 a 971	813x834.5	970x244 to 944	920x960
Option: Stainless steel 316L				Add "_6" to reference.					
Option: Galvanized steel Ral 7035				Add "G" to reference.					
Version: Normative UL				Add "UL" to reference.					

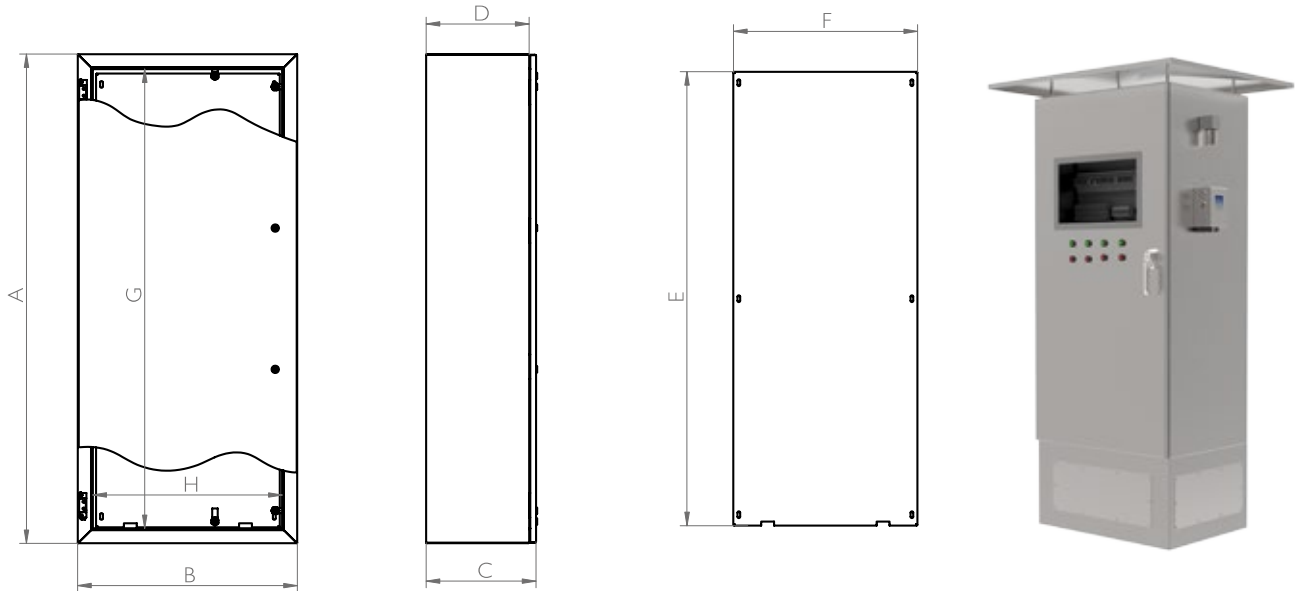
(x) = 20, 40-50-60-70-80-90-10 for a depth 200, 400, 500, 600, 700, 800, 900 or 1000mm.
We can manufacture up to 4mm thickness.

PRESSURIZED EX P CABINETS **PEPPEX SERIES**

LARGE SIZE PRESSURIZED CABINET | ONE DOOR

PLAN

MADE TO MEASURE



REFERENCES

PEPPEX ARMARIO PRESURIZADO DE GRAN CAPACIDAD UNA PUERTA									
REFERENCES	HEIGHT (A)	WIDTH (B)	DEPTH. (C)	INSIDE HEIGHT -D-	INSIDE WIDTH -E-	INSIDE DEPTH -F-	MACHINABLE SIZE AREA		PLATE DIM. -GxH-
							DOOR	SIDE	
PEPPEX1260(x)	1200	600	200 a 1000	1090	490	172 a 972	930x365	1170x145 to 945	1070x470
PEPPEX1280(x)	1200	800		1090	690	172 a 972	930x573	1170x145 to 945	1070x670
PEPPEX1210(x)	1200	1000		1090	890	172 a 972	930x773	1170x145 to 945	1070x870
PEPPEX1660(x)	1650	600		1540	490	172 a 972	1380x365	1620x145 to 945	1520x470
PEPPEX1680(x)	1650	800		1540	690	172 a 972	1380x565	1620x145 to 945	1520x670
PEPPEX1610(x)	1650	1000		1540	890	172 a 972	1380x765	1620x145 to 945	1520x870
PEPPEX1860(x)	1800	600		1690	490	172 a 972	1530x365	1770x145 to 945	1670x470
PEPPEX1880(x)	1800	800		1690	690	172 a 972	1530x565	1770x145 to 945	1670x670
PEPPEX1810(x)	1800	1000		1690	890	172 a 972	1530x765	1770x145 to 945	1670x870
PEPPEX2060(x)	2000	600		1890	490	172 a 972	1730x365	1970x145 to 945	1870x470
PEPPEX2080(x)	2000	800		1890	690	172 a 972	1730x565	1970x145 to 945	1870x670
PEPPEX2010(x)	2000	1000		1890	890	172 a 972	1730x765	1970x145 to 945	1870x870
Option: Stainless steel 316L				Add "_6" to reference.					
Option: Galvanized steel Ral 7035				Add "G" to reference.					
Version: Normative UL				Add "UL" to reference.					

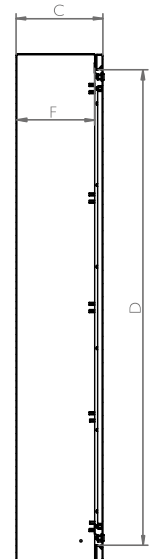
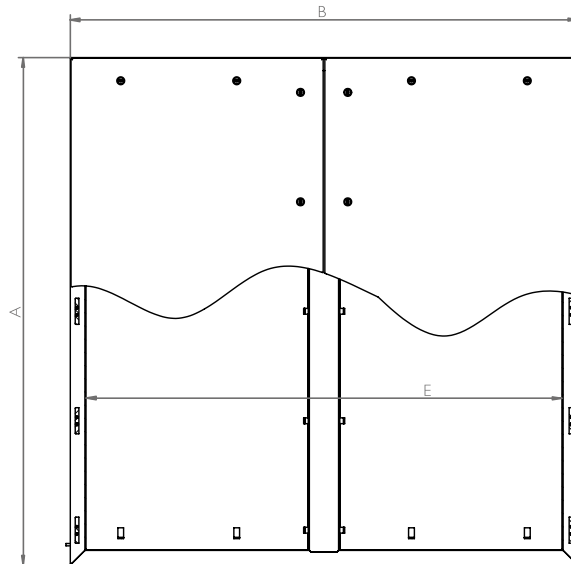
(x) = 20, 40-50-60-70-80-90-10 for a depth 200, 400, 500, 600, 700, 800, 900 or 1000mm.
We can manufacture up to 4mm thickness.

PRESSURIZED EX P CABINETS **PEPPEX SERIES**

LARGE SIZE PRESSURIZED CABINET | TWO DOORS

PLAN

MADE
TO MEASURE



REFERENCES

PEPPEX ARMARIO PRESURIZADO DE GRAN CAPACIDAD | DOS PUERTAS

REFERENCES	HEIGHT (A)	WIDTH (B)	DEPTH. (C)	INSIDE HEIGHT -D-	INSIDE WIDTH -E-	INSIDE DEPTH -F-	MACHINABLE SIZE AREA		PLATE DIM. -GxH-
							DOOR	SIDE	
PEPPEX1280(x)D	1200	800	200 a 1000	1090	690	172 a 972	930x165	1170x145 to 945	1070x670
PEPPEX1212(x)D	1200	1200		1090	1090	172 a 972	940x365	1170x145 to 945	1070x1070
PEPPEX1216(x)D	1200	1600		1090	1490	172 a 972	941x565	1170x145 to 945	1070x1470
PEPPEX1220(x)D	1200	2000		1090	1890	172 a 972	940x765	1170x145 to 945	1070x1870
PEPPEX1680(x)D	1650	800		1540	690	172 a 972	1380x165	1620x145 to 945	1520x670
PEPPEX1612(x)D	1650	1200		1540	1090	172 a 972	1380x365	1620x145 to 945	1520x1070
PEPPEX1616(x)D	1650	1600		1540	1490	172 a 972	1380x565	1620x145 to 945	1520x1470
PEPPEX1620(x)D	1650	2000		1540	1890	172 a 972	1380x765	1620x145 to 945	1520x1870
PEPPEX1880(x)D	1800	800		1690	690	172 a 972	1530x165	1770x145 to 945	1670x670
PEPPEX1812(x)D	1800	1200		1690	1090	172 a 972	1530x365	1770x145 to 945	1670x1070
PEPPEX1816(x)D	1800	1600		1690	1490	172 a 972	1530x565	1770x145 to 945	1670x1470
PEPPEX1820(x)D	1800	2000		1690	1890	172 a 972	1530x765	1770x145 to 945	1670x1870
PEPPEX2080(x)D	2000	800		1890	690	172 a 972	1730x165	1970x145 to 945	1870x670
PEPPEX2012(x)D	2000	1200		1890	1090	172 a 972	1730x365	1970x145 to 945	1870x1070
PEPPEX2016(x)D	2000	1600		1890	1490	172 a 972	1730x565	1970x145 to 945	1870x1470
PEPPEX2020(x)D	2000	2000		1890	1890	172 a 972	1730x765	1970x145 to 945	1870x1870
Option: Stainless steel 316L				Add "_6" to reference.					
Option: Galvanized steel Ral 7035				Add "G" to reference.					
Version: Normative UL				Add "UL" to reference.					

(x) = 20, 40-50-60-70-80-90-10 for a depth 200, 400, 500, 600, 700, 800, 900 or 1000mm.
We can manufacture up to 4mm thickness.

PRESSURIZED EX P CABINETS **PEPPEX SERIES**

FILTER SYSTEM AND CONTROL UNITS

FILTER SYSTEM AND PRESSURE REGULATOR

REFERENCE

FRI00 PEPPEX

Filter system and pressure regulator for the pressurization system Peppex , solves future problems of malfunction or dirt inside the control enclosure. It is the best option to place in the pressurized enclosure.



CONTROL UNITS

Depending on the Atex area and ruling needed we have different ranges of control units.



- Model MVP050.PZ
- Pressurizing equipment
- Control Unit

REFERENCE

MVP050.PZ



- Modelo MVP055.PZ de 230V.
- Other voltages available: 24V and 120V.
- Zones 2 and 22.

REFERENCE

MVP055PZVAC



- Model MVP060.PZ
100V - 250V.
- Zones 1 and 21.

REFERENCE

MVP060PZVAC

REFERENCE VALVE

EV055EX230



CABLE ENTRY COVER

ATEX IP65

Our ATEX cable trays keep IP65 protection (minimum).

An ideal complement when we do not know in advance the number of holes or glands to be fixed on the cabinet.

CUSTOM
MADE

(Drilling holes for the placement of cable glands, plugs etc.)



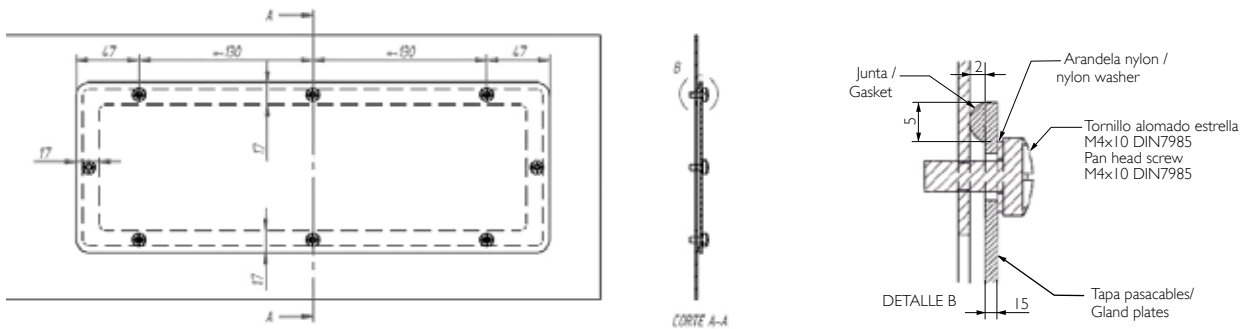
Cable entry cover; Luxorex, Tribex and Geoex models



CHARACTERISTICS

- Made in stainless steel.
- Custom-made: minimum size of 90mmx90mm and maximum size of 600mmx600mm (the widest range now available on the market).
- 1,5mm up to 3mm thickness.
- Certified ATEX, Ex.
- Easy mounting with screws for easy drilling, keeping protection and ATEX safety.

BLUEPRINT AND DIMENSIONS



REFERENCES

REFERENCES	DIMENSIONS (mm)			MACHINING
	HEIGHT -A-	WIDTH -B-	DEPTH -C-	MACHINABLE AREA (DxF)
TP909015EX	90	90	1,5	56x56
TP909030EX	90	90	3	56x56
TP149015EX	140	90	1,5	106x56
TP149030EX	140	90	3	106x56
TP259015EX	250	90	1,5	216x56
TP259030EX	250	90	3	216x56
TP351315EX	350	130	1,5	316x56
TP351330EX	350	130	3	316x56
TP503030EX	500	300	3	466x266
TP504030EX	500	400	3	466x366
TP606030EX	600	600	3	566x566



DOWNLOAD OUR CATALOGUES

WE DELIVER THE CABINET FULLY COMPLETED AND CERTIFIED

Also individual certifications



CABLE ENTRY COVER



CABLE GLAND

PERSONALIZE YOUR PRESSURIZED ENCLOSURE
PEPPEX SERIES



PLUGS, ADAPTERS, ...



ACTUATORS





ATEX PRESSURIZED CONTROL PANELS



SOLUTIONS FOR HAZARDOUS AREA



With over 50 years of experience in design, manufacture and supply of electrical high quality Atex & IECEX solutions

Atex Delvalle adapts to our clients' needs by offering Hazardous Area enclosures and boxes on demand. They are adapted to your specific requirements of installation and assembly, up to the last detail.

Atex Delvalle designs and manufactures a range of Hazardous Area enclosures: junction and terminal boxes, pressurized, flameproof Ex d and increased Safety Ex e Atex & IECEX compliant enclosures.



ATEX CABLE GLANDS



MOTOR STARTER & LOAD DISCONNECT SWITCHES



ATEX TERMINAL & JUNCTION BOXES



ATEX LIGHTING FIXTURE

HMI INDUSTRIAL PANELS WORKSTATIONS



FLAMEPROOF ENCLOSURES & PULLING BOXES



CONTROL STATIONS & DISTRIBUTION BOXES

Atex control boxes (Contrex Series), they are specially designed to perform checks, maneuvers and as actuators in explosive atmospheres. They have a rugged, corrosion system and finished in stainless steel or GRP polyester. It allows you to perform maneuvers and controls at the machine in hazardous areas and take programming and automation in a safe area. Offering customers a great combination of possibilities and flexibility. Select the component that best suits your operator panels, keypads, mushrooms, switches, ammeters... and you assemble all with Atex certified, Ex & IECEx and UL.



ENCLOSURES FOR CORROSION ENVIRONMENTS

PRESSURIZED PANELS & ATEX PURGE





HAZARDOUS AREA SOLUTIONS ATEX E IECEx



Paso del Prao, 6. 01320 Oyón (Álava). Spain
Telf. +34 945 601 381
atex@atexdelvalle.com | www.atexdelvalle.com

Contact us, we will be available at any time